

Y10400 - Mesh Task Chair Assembly Instructions

Step 1: Insert the 5 Casters into the Chair Base by hand. Casters will 'pop' once locked in place.

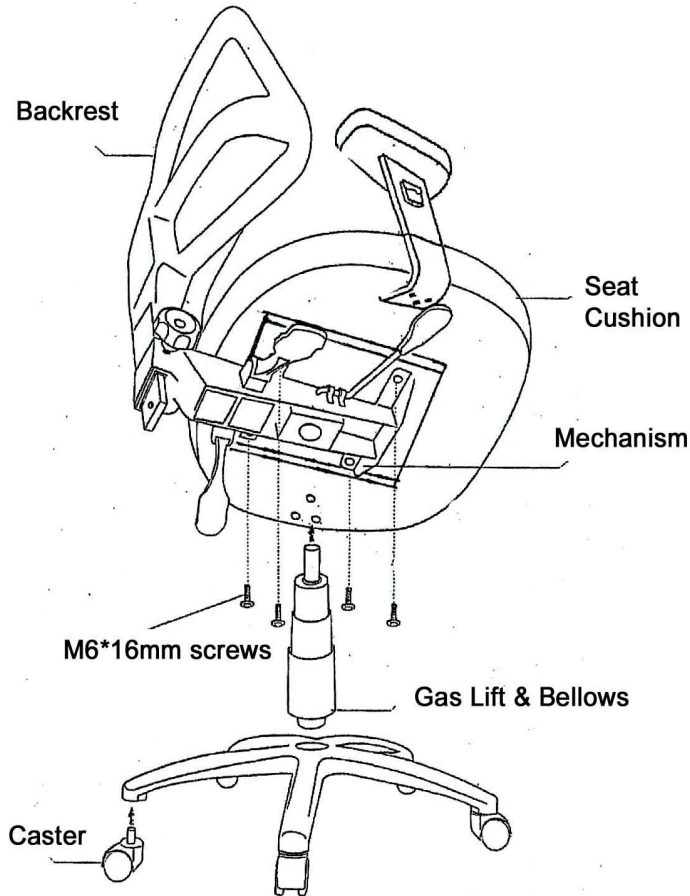
Step 2: Insert Gas Lift into Chair Base, then place telescoping Bellows over the Gas Lift.

Step 3: Turn the Seat Cushion upside down on a clean surface. Attach the two Armrests with the Hex M6*25mm screws.

Step 4: Next, attach the Mechanism with 4 of the M6*16mm screws.

Step 5: Insert backrest into slot of mechanism, then insert plastic stopper into hole. Then, insert tension knob.

Step 6: Hold the upper half of the chair over the lower half, aligning the hole in the mechanism over the top of the gas lift. Insert the top of the gas lift into the hole and press down. Then, carefully sit in the chair to pressure fit them together.



CONTENTS			
Parts	Qty	Hardware	Qty
Backrest		1 Flat Washer M6	10
Armrests		2 Hex Screw M6*25mm	6
Seat Cushion		1 Screw M6*16mm	4
Mechanism	1		
Gas Lift & Bellows	1		
Chair Base	1		
Casters	5		



Questions? Please call 1-800-443-5117.
 Customer Service available 8:30 - 5:00 Central Time, Monday - Friday