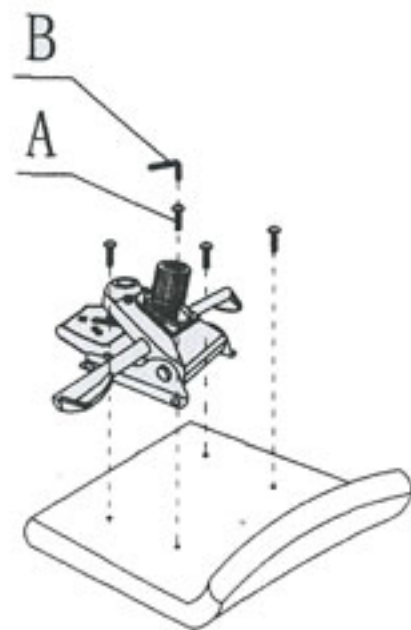
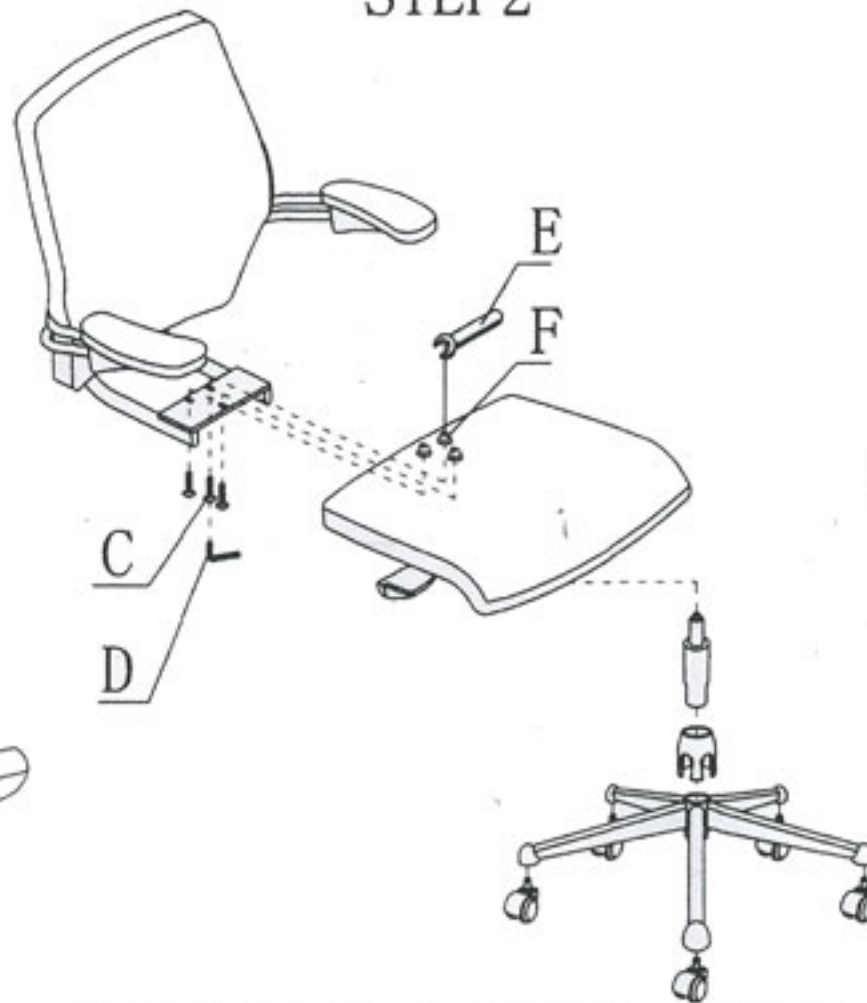


Y10367 Romana Office Chair Assembly Instructions

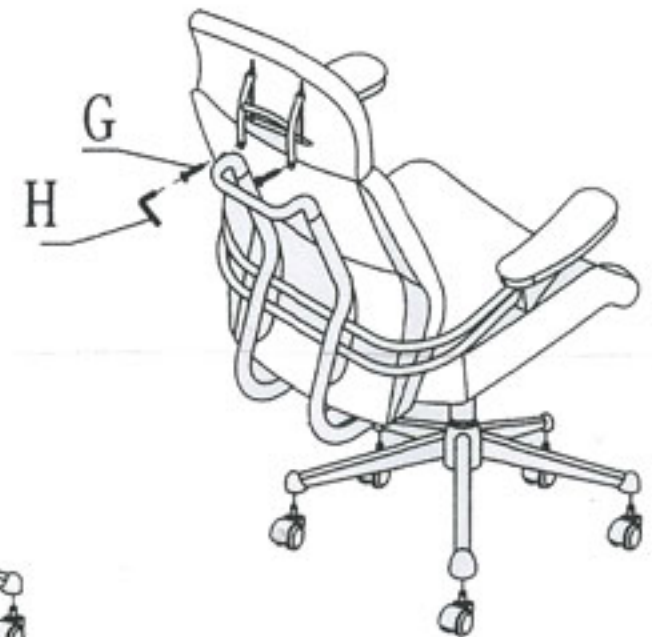
STEP 1











STEP2



FINISH



NO.	A	B	C	D	E	F	G	H
TYPE	 M6x20	 5mm	 M8x25	 6mm		 M8	 M6x30	 4mm
QTY.	4 PCS	1 PC	3 PCS	1 PC	1 PC	3 PCS	2 PCS	1 PC