

CARTRIDGE REMOVAL AND REPLACEMENT

Before removing a used cartridge for cleaning, have new casing gasket and sleeve O-rings on hand. A spare set is included with your shower system.

- 1 Shut off water supplies at both stop checks by turning clockwise.
- 2 Remove the 4 bolts on carriage bolt flange.
- 3 Using 2 large flat bladed screwdrivers, pry evenly on two sides of bolt flange until cartridge is free to be removed by hand.
- 4 Carefully pull out cartridge with a twisting and turning action, always keeping cartridge on center line. Leave compensating spring in position at bottom center of valve body.
- 5 Clean cartridge as described above.
- 6 Replace sleeve O-rings and grease them.
- 7 With a twisting and pushing action, replace cartridge in valve body until bolt flange is firmly against housing gasket.
- 8 While holding cartridge in place, replace bolts and tighten. Caution: do not attempt to pull cartridge into position with the bolts as it will damage the inner workings.
- 9 Open stop checks and adjust temperature.

To adjust the high limit safety feature (the hottest temperature that you choose for your system to attain) turn on shower system, turn main knob to maximum hot, remove dial plate and adjust slotted screw to desired hottest temperature while viewing thermometer.

MAINTENANCE ON YOUR REID SYSTEMS TORRENT™ VICHY SHOWER IS PRIMARILY A MATTER OF CLEANING AND PRESERVING THE EXPOSED SURFACES. WITH THE EXCEPTION OF THE MIXING VALVE, (THE LARGE VALVE USED TO CONTROL YOUR WATER TEMPERATURE), ALL OF THE COMPONENTS OF YOUR SHOWER SYSTEM ARE VIRTUALLY SELF-CLEANING, INCLUDING THE SHOWER HEADS.

Warning 1: Failure to adjust the Limit Stop Screw properly may result in serious scalding.

Warning 2: This shower system may not protect the user from scalding if not properly maintained.

REID
SYSTEMS™
A DIVISION OF SPA CENTRAL

10740 LYNDALE AVE S STE 12W
BLOOMINGTON MN 55420-9723

YOUR
TORRENT
VICHY
SHOWER

MAINTENANCE

REID
SYSTEMS™
A DIVISION OF SPA CENTRAL

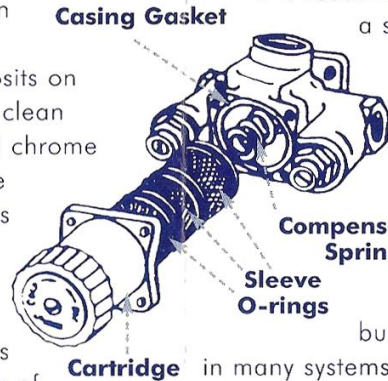
TURN IT UP

CLEANING & MAINTENANCE

You may occasionally want to remove water spots on the cabinet or any buildup of white deposits on the shower heads. To clean the stainless steel and chrome surfaces spray or wipe with a product such as Lime Away™ or CLR™ or regular white vinegar. Protect and shine the stainless steel surfaces with any of the stainless steel polishes on the market or with mineral oil. Regular applications will help significantly to prevent buildup. **NEVER CLEAN STAINLESS STEEL WITH STEEL WOOL.**

Clean the Scots Hose nozzle by removing it from the hose and soaking it in vinegar or a de-liming product until deposits are dissolved.

The mixing valve must be maintained on a regular basis in order to assure proper function of your shower system.



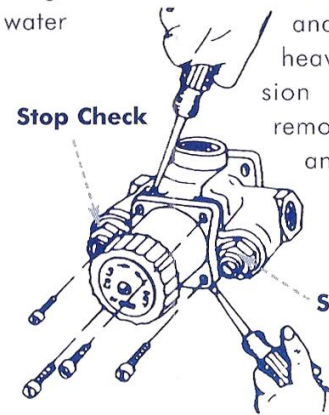
The Cartridge Unit (see drawing) contains the entire valve control mechanism. To eliminate down time during maintenance it is recommended that you purchase a spare cartridge so that a clean one is always available.

The mixing valve control mechanism must be kept clean and free from deposits and any foreign matter buildup that will be present in many systems. Inspect within 30 days of initial installation or operation. If regular inspection determines that your water supply causes deposits and foreign matter buildup monthly, then the valve should be cleaned monthly as follows:

- 1 Close Stop Checks (see drawing), remove cartridge and soak in any acceptable de-liming agent or white vinegar.
- 2 Wash off deposits by soaking in vinegar or a de-liming product. Make sure the piston in back of cartridge moves freely in its sleeve and replace cartridge.
- 3 Clean more frequently if your water supply so demands.

The Check Valves (or Stop Checks) in the mixing valve are highly important to proper operation. Chips, dirt or deposits of any kind can cause failure of the thermal motor (in the Cartridge Unit). Failure of the thermal motor will be indicated if the mixing valve does not operate at its set temperature.

Service Check Valves by first shutting off the water supply to the shower system (this may require temporarily closing the water main to your facility). Disassemble Checks, clean and reinstall Check Spindles and clean seats; replace seats if heavily worn or scored (compression elbows may need to be removed). Replace in mixing valve and confirm that there is no leakage and that proper operation has been restored.



For further information, questions or comments please call us at 800 . 350 . 2799.