

# VXS

## Sewage

VORTEX stainless steel submersible pumps for professional use, particularly reliable with generous motor specification and hard-faced mechanical seal. The proven VORTEX system allows the clearing of dirty water containing suspended solids.



### RANGE OF PERFORMANCE

Capacity up to 105 gpm  
Head up to 25 ft

### LIMITS OF USE

Depth up to 15 ft  
Liquid temperature up to 104°F  
Solid Handling up to 2"  
For continuous duty: minimum immersion 11" from pump base.

### INSTALLATION AND USE

THEY ARE RECOMMENDED FOR DRAINING WASTE WATER IN THE DOMESTIC, CIVIL AND INDUSTRIAL SECTORS, IN APPLICATIONS WHERE THE WATER CONTAINS SUSPENDED SOLIDS WITH DIMENSIONS UP TO Ø 2 plg. THEIR USE IS RECOMMENDED FOR DRYING FLOODED AREAS SUCH AS CELLARS, UNDERGROUND CAR PARKS, CAR WASHING AREAS AND FOR EMPTYING CESSPITS OR SEWAGE DISPOSAL. THESE PUMPS ARE OUTSTANDING IN THEIR RELIABILITY IN FIXED INSTALLATIONS WITH AUTOMATIC OPERATION.

### CONSTRUCTION CHARACTERISTICS

- **DELIVERY BODY:** stainless steel AISI 304, with threaded port
- **MOTOR CASING AND BASE:** stainless steel AISI 304.
- **IMPELLER:** stainless steel AISI 304.
- **MOTOR SHAFT:** stainless steel AISI 316.
- **DOUBLE SEAL:** mechanical seal silicon carbide - NBR - stainless steel AISI 316, with oil barrier chamber and inner lip seal to protect the seal in the event of dry running.
- **MOTOR:** submersible asynchronous for continuous duty.  
VXS: single-phase 115V or 230V - 60 Hz with capacitor and thermal overload protector.  
VXS: three-phase 230V - 60 Hz.
- **INSULATION:** class F. • **PROTECTION:** IP 68.

REGISTERED MODEL n° 72765.

### STANDARD FEATURES:

- VXS** (single-phase) Flow switch.  
Neoprene power cord "H07 RN-F"  
length 30 ft
- VXS** (three-phase) Neoprene power cord "H07 RN-F"  
length 30 ft

### OPTIONS ON REQUEST

15 ft power cord  
single-phase pumps without float switch  
other voltages or frequency 50 Hz

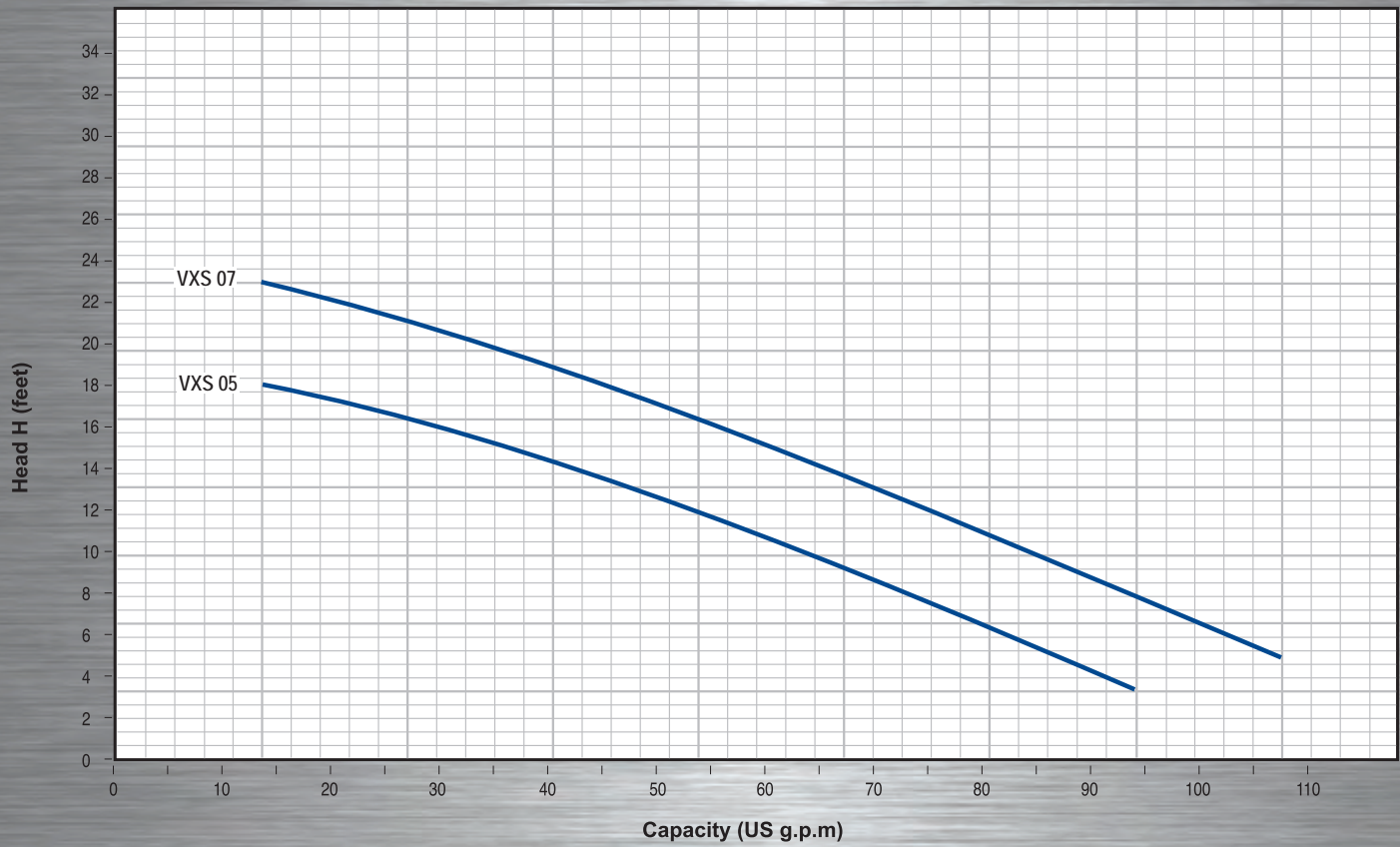


 tech.support (954) 474 9090

 www.pedrollousa.com

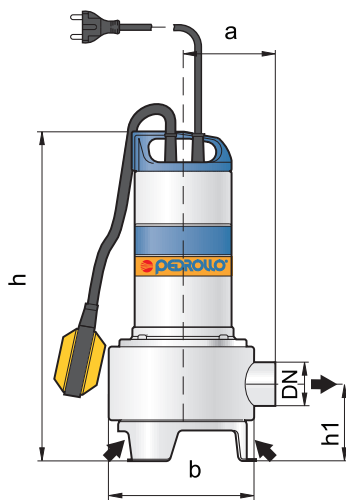
 customerservice@pedrollousa.com

CURVES AND PERFORMANCE DATA

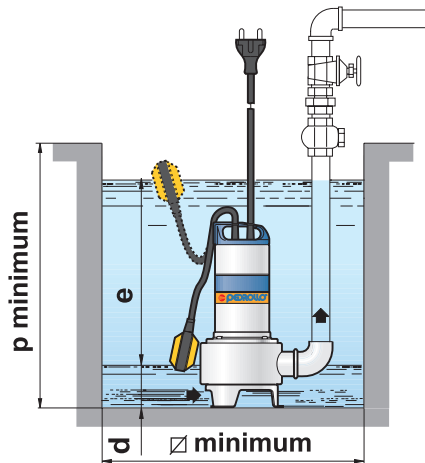


MODEL		HP	CAPACITY GPM	H Feet									
1 PH	3 PH			0	13	26	39	52	66	79	92	105	
VXS 05	VXS 05	0.5	H Feet	20	18	16	14	12	9	7	3		
VXS 07	VXS 07	0.7		25	23	21	19	16	13	10	8	5	

DIMENSIONS AND WEIGHTS



Typical installation



MODEL		DISCH	Passage of Solid Bodies	DIMENSIONS INCHES								LBS	
1 PH	3 PH			a	b	h	h1	d	e	p	∅ min	1~	3~
VXS 05	VXS 05	2"	2"	4.6	6.5	16.1	4.3	2.2	Adjustable	19.7	19.7	28.3	
VXS 07	VXS 07											23.6	21.4