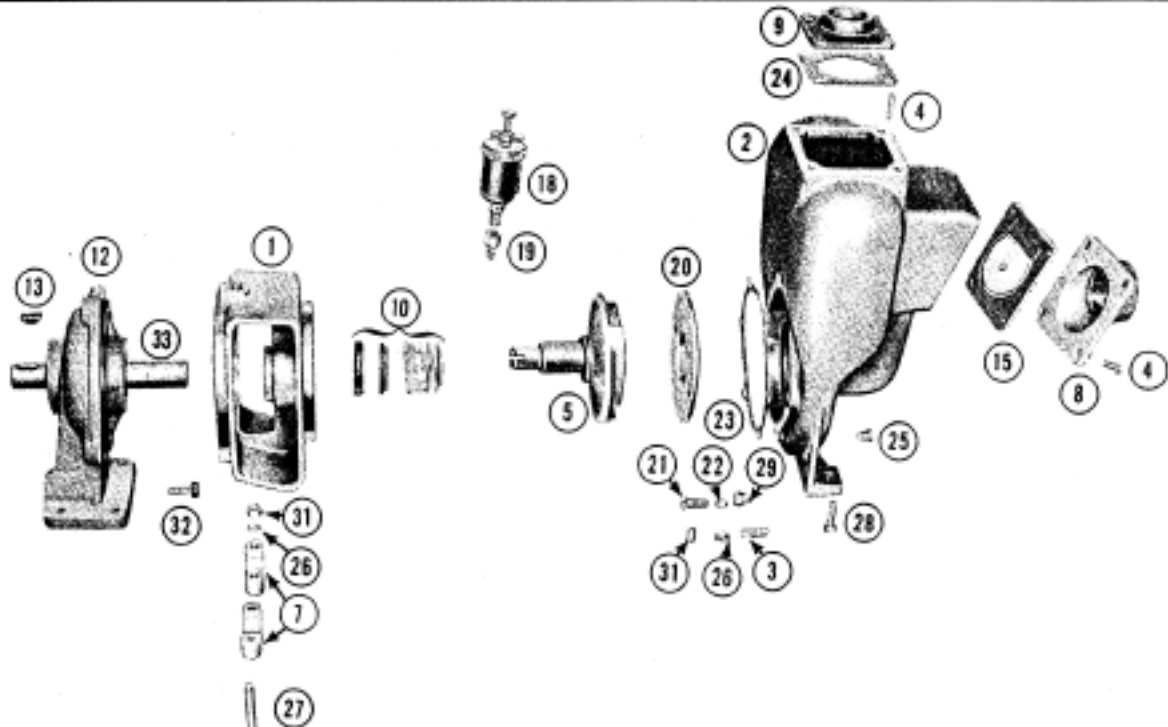


# MP PUMPS SERVICE PARTS LIST

- Self-Priming      • Pedestal Mount
- Belt or Direct Drive      • Mechanical Seal

Flomax 10    2" x 2" Pipe Size  
 Flomax 15    3" x 3" Pipe Size



**IMPORTANT:** When ordering parts, specify MODEL and SERIAL NUMBER.  
 UAR means Use As Required.

ITEM NO.	PART NO.	DESCRIPTION	QUANTITY REQUIRED PER MODEL			
			METAL	CAST IRON	ALUMINUM	BRONZE
		FLOWMAX 10	21363	21361		21362
		with Std. Seal	24122	24487		
		FLOWMAX 15	21361	21379		21380
		with Std. Seal	24178	24266		
		FLOWMAX 10	21420			
		with Grease Seal	24198			
		FLOWMAX 15	21427			
		with Grease Seal	23931			

**HOUSING**

2	23035	Housing Assembly, Cast Iron — Inc: Housing — Cast Iron		1		
3	21260	Stud S.S. 3/8" Adaptor		6		
4	21261	Stud S.S. 3/8" — flanges		8		
4	21291	Capscrew S.S. 3/8" flanges used in place of 21261 stud starting in 1978 — NOT interchangeable.		8		
25	21267	Drain Plug 1/4" NPT		1		
2	23033	Housing Assembly, Aluminum — Inc: Housing — Aluminum			1	
3	21260	Stud S.S. 3/8" Adaptor		6		
4	21261	Stud S.S. 3/8" — flanges		8		
4	21291	Capscrew S.S. 3/8" — flanges used in place of 21261 stud starting in 1978 — NOT interchangeable.		8		
25	21267	Drain Plug 1/4" NPT		1		
2	23034	Housing Assembly, Bronze — Inc: Housing — Bronze				1
3	21721	Stud Br. 3/8" Adaptor — use with 21230 Hex Nut				6
4	21721	Stud Br. 3/8" — flanges — use with 21230 Hex Nut				8
4	21291	Capscrew S.S. 3/8" — flanges used in place of 21721 starting in 1978 — NOT interchangeable. If your pump was built with studs, you must replace with studs.				8
25	21267	Drain Plug 1/4" NPT				1
26	26051	Lockwasher Br. 3/8" Adaptor & flanges				UAR
26	21266	Lockwasher S.S. 3/8" Adaptor & flanges				UAR
31	21258	Hex Nut S.S. 3/8" Adaptor & flanges	UAR		UAR	
31	21230	Hex Nut Br. 3/8" Adaptor & flanges	UAR		UAR	
15	23040	Flapper Assembly — standard	1		1	1
15	26100	Flapper — EPDM — optional	1		1	
23	22240	Gasket — Housing to Adaptor	1		1	1
24	22358	Gasket — Outlet flange — standard	1		1	1
24	26101	Gasket — EPDM — Outlet flange — optional	1		1	



34800 BENNETT • FRASER, MI 48026-1686  
 (586) 293-8240 • FAX (586) 293-8469  
 (800) 563-8006 • www.mppumps.com

FORM 7009-A

PRINTED IN U.S.A.

ITEM NO.	PART NO.	DESCRIPTION	QUANTITY REQUIRED PER MODEL			
			METAL	CAST IRON	ALUMINUM	BRONZE
			FLOWMAX 10 with Std. Seal	21363 24122	21381 24487	21382
FLOWMAX 15 with Std. Seal	21381 24176	21379 24268	21380			
FLOWMAX 10 with Grease Seal	21420 24198					
FLOWMAX 15 with Grease Seal	21427 23931					

#### FLANGE

8	22369	Flange — Inlet — Cast Iron — 2"	1		
8	22367	Flange — Inlet — Aluminum — 2"		1	
8	22368	Flange — Inlet — Bronze — 2"			1
8	22468	Flange — Inlet — Cast Iron — 3"	1		
8	22466	Flange — Inlet — Aluminum — 3"		1	
8	22467	Flange — Inlet — Bronze — 3"			1
9	22372	Flange — Outlet — Cast Iron — 2"	1		
9	22370	Flange — Outlet — Aluminum — 2"		1	
9	22371	Flange — Outlet — Bronze — 2"			1
9	22471	Flange — Outlet — Cast Iron — 3"	1		
9	22469	Flange — Outlet — Aluminum — 3"		1	
9	22470	Flange — Outlet — Bronze — 3"			1

#### WEAR PLATE

20	22376	Wear Plate Assembly — Steel — Inc: Wear Plate — Steel	1 1		
21	21262	Flat Head Screw — S.S. — 3/8"	2		
22	21271	Annular Gasket — 5/8"	2		
20	22374	Wear Plate Assembly — Aluminum — Inc: Wear Plate — Aluminum		1 1	
21	21262	Flat Head Screw — S.S. — 3/8"		2	
22	21271	Annular Gasket — 5/8"		2	
20	22375	Wear Plate Assembly — Brass — Inc: Wear Plate — Brass			1 1
21	22360	Flat Head Screw — Brass 3/8"			2
22	21271	Annular Gasket			2
29	21263	Acorn Nut — S.S. — 3/8"	2	2	
29	28053	Acorn Nut — Brass — 3/8"			2

#### IMPELLER

5	23038	Impeller Assembly — Cast Iron	1		
5	23036	Impeller Assembly — Aluminum		1	
5	23037	Impeller Assembly — Bronze			1
5	23902	Impeller Assembly — Stainless Steel (Models 24198, 23931, 24122, 24176, 24268 and 24487)	1	1	

#### CLAMP

7	23039	Impeller Clamp Assembly — Inc: Clamp	1 2	1 2	1 2
26	21266	Lockwasher — S.S. — 3/8"	2	2	2
27	21269	Capscrew — S.S. — 3/8"	2	2	2
31	21268	Hex Nut — S.S. — 3/8"	2	2	2

#### SEAL

Be sure you specify whether you want the self-lubricated seal or the grease-lubricated seal.

10	22361	Seal Assembly — Self-lubricated	1	1	1
10	22395	Seal Assembly — Grease lubricated	*1	*1	
18	22313	Grease Cup	1	1	
19	22314	Grease Cup Adaptor	1	1	

#### ADAPTOR

1	22348	Adaptor — Cast Iron — Std. Seal	1		
1	22346	Adaptor — Aluminum — Std. Seal		1	
1	22347	Adaptor — Bronze — Std. Seal			1
1	24871	Adaptor — Cast Iron — For Grease Seal	1		
1	24870	Adaptor — Aluminum — For Grease Seal		1	

#### PEDESTAL ASSEMBLY

12	26164	Pedestal Assembly — Inc:	1	1	1
N/S	26161	Pedestal Body — Cast Iron	1	1	1
13	22425	Woodruff Key #15	1	1	1
33	26162	Shaft	1	1	1
N/S	22035	Snap Ring	2	2	2
N/S	25474	Ball Bearing	2	2	2
32	21274	Capscrew — S.S. — 3/8"	4	4	4
N/S	21266	Lockwasher — S.S. — 3/8"	4	4	4

\*Optional for Special Applications.



**MP PUMPS, INC.**

34800 BENNETT • FRASER, MI 48026-1686  
(586) 293-8240 • FAX (586) 293-8469  
(800) 563-8006 • www.mppumps.com

**FORM 7009-A**

PRINTED IN U.S.A.