

CHEMFLO⁵

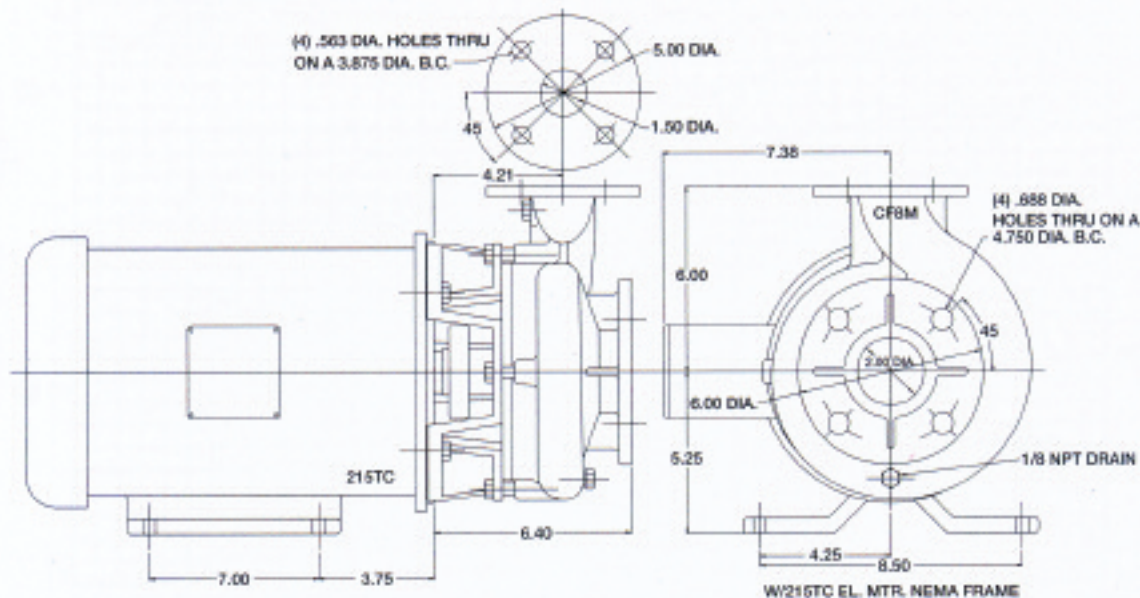
Centrifugal Pumps

Features & Options

- SIZE: 2" x 1.5" x 6"
- All Cast 316SS Housing, Seal Housing And Impeller
- 316SS Pedestal Shaft Or Motor Shaft Sleeve
- Standard – Type 2100 Carbon/Ceramic/Viton Seal
- Standard – Viton O-Ring
- Enclosed Impeller
- Flow Rates To 325 GPM
- Pressures To 160'
- Optional: Tap For Recirculation Or Seal Flush
- Optional: Severe Duty Seals
- Available: Pedestal Pump
- Available: Pumpak For 145TC, 184TC And 215TC Close-Couple Electric Motor

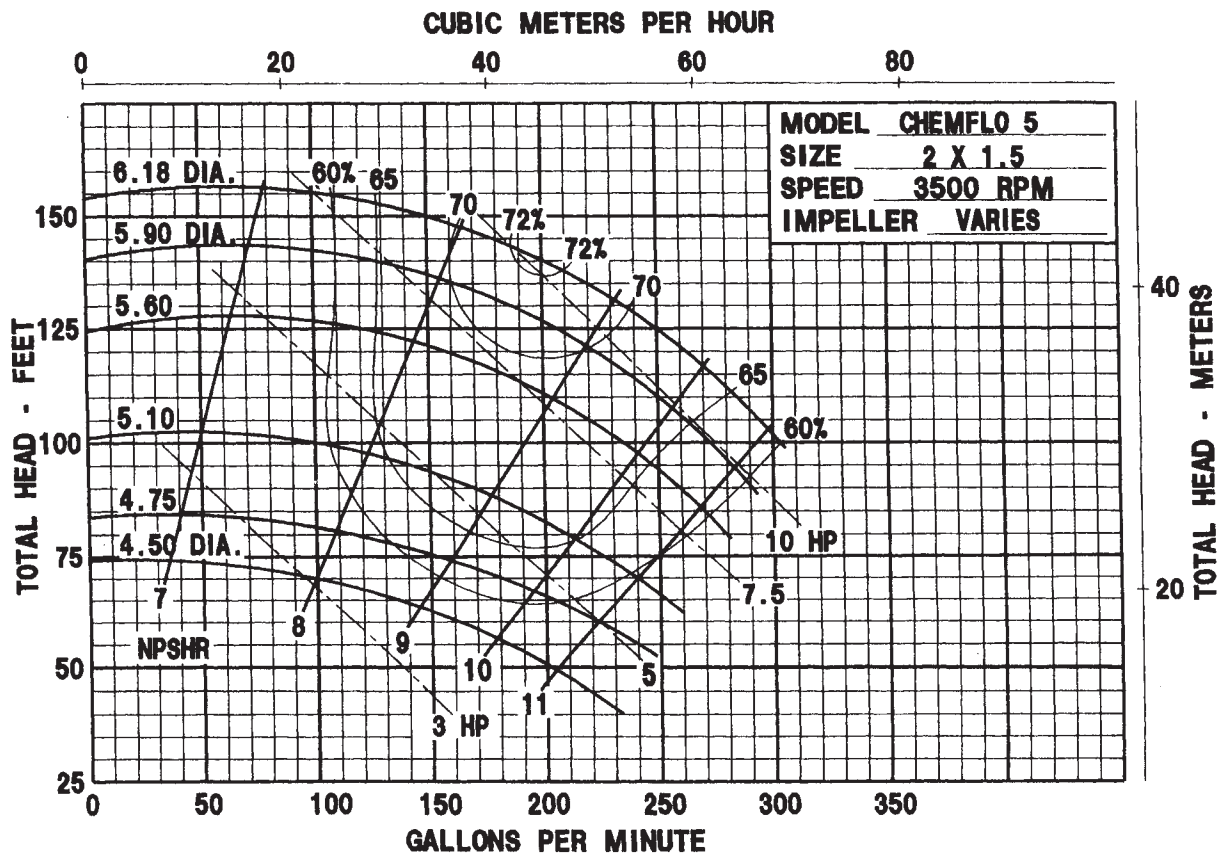
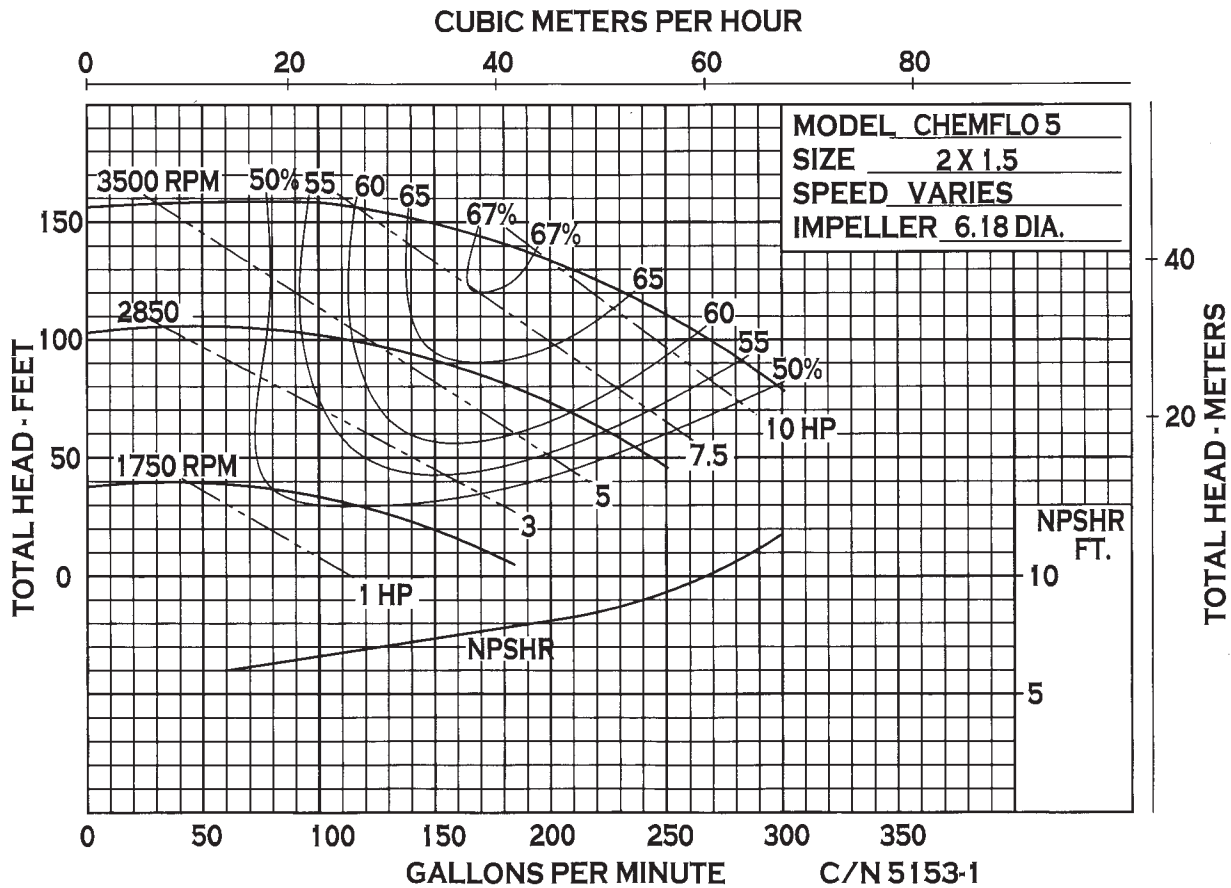


Dimensions



MP PUMPS, INC.

34800 BENNETT • FRASER, MI 48026-1686
(586) 293-8240 • FAX (586) 293-8469
(800) 563-8006 • www.mppumps.com



34800 BENNETT • FRASER, MI 48026-1686
 (586) 293-8240 • FAX (586) 293-8469
 (800) 563-8006 • www.mppumps.com