

MQ Service Kits

MATERIAL NUMBER	DESCRIPTION	LIST PRICE (\$)
96634763	Kit, Fittings, NPT 1"	125.00
96450696	Kit, Shaft Seal	85.90
96450697	Kit, Clamp	96.50
96450698	Kit, Flow Sensor	79.30
96457923	Kit, priming/draining plug	37.10
96488399	Kit, Terminal Box Cover w/O-Ring, Model A & B	84.60
96525930	Kit, Hydraulic parts, MQ 3-35, 60 HZ (Model A & B)	182.00
96525931	Kit, Hydraulic parts, MQ 3-45, 60 HZ (Model A & B)	212.00
96525932	Kit, EL parts, 115V, UL, Model A & B	320.00
96526628	Kit, O-Rings, mfg.> 0347 (Model A & B)	110.00
96526653	Pressure switch, Model B only, mfg>0346	120.00
96526663	Kit, Non-Return Valve w/O-Rings, Model B only, mfg.>0347	62.30
96526828	Kit, EL parts, 230V, UL, Model A & B	319.00

MQ Spare Parts

POS. NO.	MATERIAL NUMBER	DESCRIPTION	LIST PRICE (\$)
2	96590739	Motor stool with base plate, Model A, mfg.<0346	74.30
2	96526664	Motor stool with base plate, Model B, mfg.>0347	117.00
16	96590745	Pump Sleeve / Housing	176.00
26	96450676	Screw, TC T830, Ø7.0x85/25	1.40
27	96450677	Washer	1.40
42	96565367	Pressure tank	115.00
43	96450266	Cover, Pressure tank	5.30
51	96450264	End cover	33.10
91	96457112	Screw	1.50
150 & 161	96488396	Motor unit, MQ 3-35, 1 x 115V, 60 HZ, UL w/ 40 uF Capacitor	355.00
150 & 161	96488397	Motor unit, MQ 3-45, 1 x 115V, 60 HZ, UL w/ 40 uF Capacitor	355.00
150 & 161	96489277	Motor unit, MQ 3-35, 1 x 230V, 60 HZ, UL w/ 40 uF Capacitor	344.00
150 & 161	96489276	Motor unit, MQ 3-45, 1 x 230V, 60 HZ, UL w/ 40 uF Capacitor	344.00
152	96450678	Screw	1.50
152a	96450679	Washer	1.50
152b	96450680	Screw	1.50
152c	96450681	Washer	1.50
161	96731270	Capacitor uF 12.5 (60 HZ) 230V, UL, Class A, Mark II	66.20
161	96731271	Capacitor uF30 (60 HZ) 115V, UL, Class A, Mark II	71.70
161	97523217	Capacitor uF40 (60 HZ) 115/230V, UL, Class A, Mark III	78.00
180	96450286	Motor housing, Model A only, mfg.<0346	71.30
180	96526665	Motor housing, Model B only, mfg.>0347	109.00

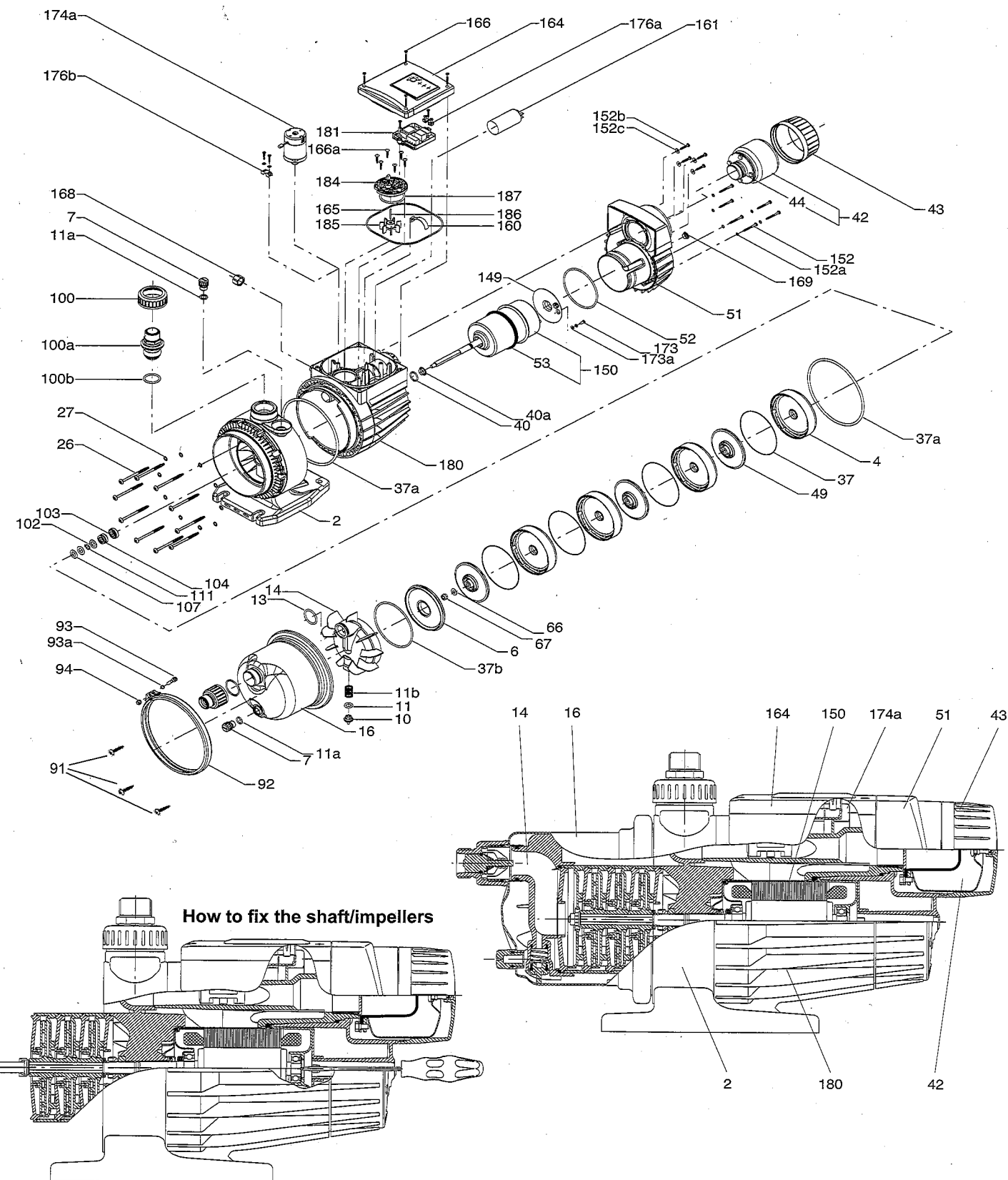
NOTE: For contents of kits, see WebCAPS.

*See Kits page for B model, mfg.>0347

< = Before > = After

MQ

(For position number reference)



How to fix the shaft/impellers

NOTE: Some referenced position numbers may not be available as individual items (see complete kit).

MQ Service Kits

MATERIAL NUMBER	DESCRIPTION	LIST PRICE (\$)
96634763	Kit, Fittings, NPT 1"	125.00
96450696	Kit, Shaft Seal	85.90
96450697	Kit, Clamp	96.50
96450698	Kit, Flow Sensor	79.30
96457923	Kit, priming/draining plug	37.10
96488399	Kit, Terminal Box Cover w/O-Ring, Model A & B	84.60
96525930	Kit, Hydraulic parts, MQ 3-35, 60 HZ (Model A & B)	182.00
96525931	Kit, Hydraulic parts, MQ 3-45, 60 HZ (Model A & B)	212.00
96525932	Kit, EL parts, 115V, UL, Model A & B	320.00
96526628	Kit, O-Rings, mfg.> 0347 (Model A & B)	110.00
96526653	Pressure switch, Model B only, mfg.>0346	120.00
96526663	Kit, Non-Return Valve w/O-Rings, Model B only, mfg.>0347	62.30
96526828	Kit, EL parts, 230V, UL, Model A & B	319.00

MQ Spare Parts

POS. NO.	MATERIAL NUMBER	DESCRIPTION	LIST PRICE (\$)
2	96590739	Motor stool with base plate, Model A, mfg.<0346	74.30
2	96526664	Motor stool with base plate, Model B, mfg.>0347	117.00
16	96590745	Pump Sleeve / Housing	176.00
26	96450676	Screw, TC T830, Ø7.0x85/25	1.40
27	96450677	Washer	1.40
42	96565367	Pressure tank	115.00
43	96450266	Cover, Pressure tank	5.30
51	96450264	End cover	33.10
91	96457112	Screw	1.50
150 & 161	96488396	Motor unit, MQ 3-35, 1 x 115V, 60 HZ, UL w/ 40 uF Capacitor	355.00
150 & 161	96488397	Motor unit, MQ 3-45, 1 x 115V, 60 HZ, UL w/ 40 uF Capacitor	355.00
150 & 161	96489277	Motor unit, MQ 3-35, 1 x 230V, 60 HZ, UL w/ 40 uF Capacitor	344.00
150 & 161	96489276	Motor unit, MQ 3-45, 1 x 230V, 60 HZ, UL w/ 40 uF Capacitor	344.00
152	96450678	Screw	1.50
152a	96450679	Washer	1.50
152b	96450680	Screw	1.50
152c	96450681	Washer	1.50
161	96731270	Capacitor uF 12.5 (60 HZ) 230V, UL, Class A, Mark II	66.20
161	96731271	Capacitor uF30 (60 HZ) 115V, UL, Class A, Mark II	71.70
161	97523217	Capacitor uF40 (60 HZ) 115/230V, UL, Class A, Mark III	78.00
180	96450286	Motor housing, Model A only, mfg.<0346	71.30
180	96526665	Motor housing, Model B only, mfg.>0347	109.00

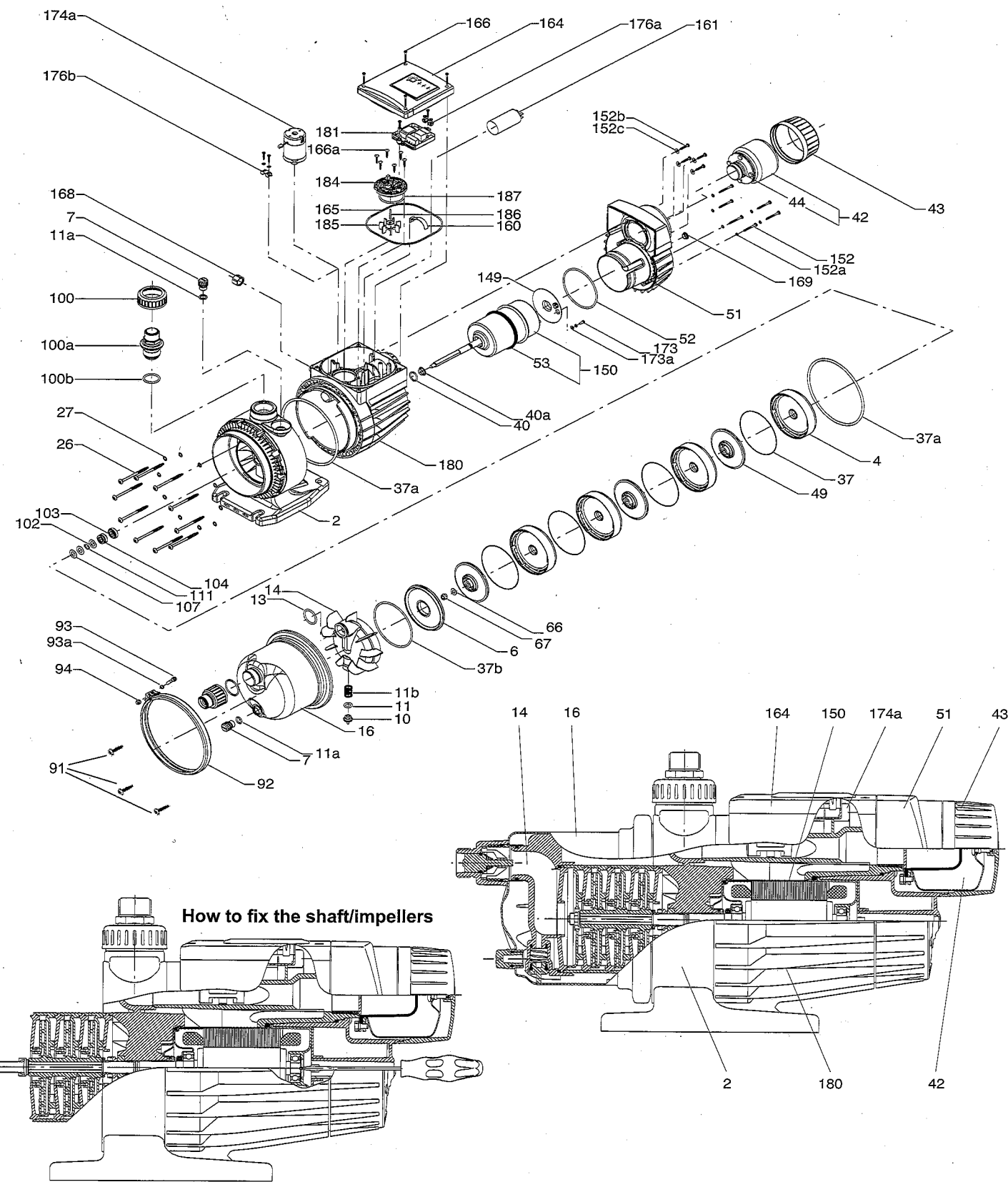
NOTE: For contents of kits, see WebCAPS.

*See Kits page for B model, mfg.>0347

< = Before > = After

MQ

(For position number reference)



How to fix the shaft/impellers

NOTE: Some referenced position numbers may not be available as individual items (see complete kit).