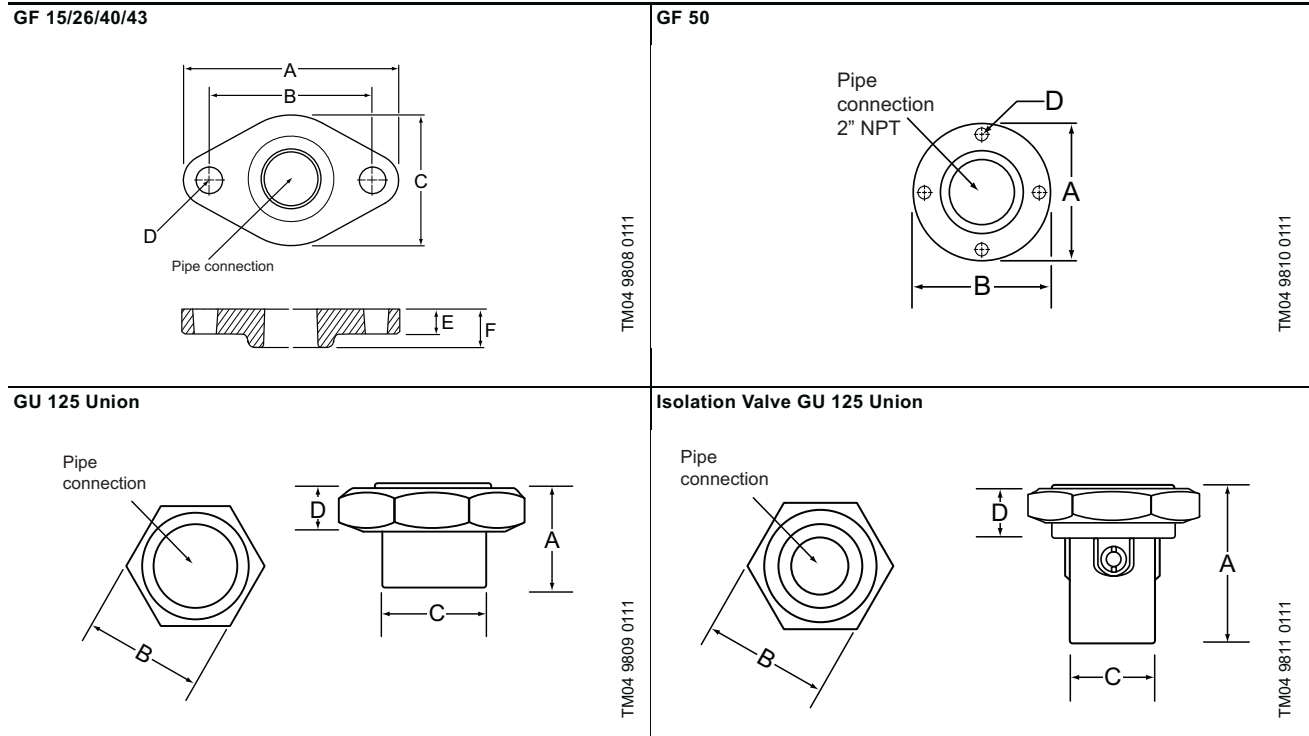


Packaged fitting sets



Material	Pump Connection	Pipe Connection			Material Number	Dimensions (in. / mm)					
		NPT	Solder	Compression		A	B	C	D	E	F
Cast Iron	GF15/26	3/4"			519601						
		1"			519602	4-1/4 / 106	3-1/8 / 80	2-3/4 / 67	1/2 / 13	1/2 / 13	3/4 / 20
		1-1/4"			519603						
		1-1/2"			519604						
	GF40/43	1-1/2"			539605	4-3/4 / 120	3-1/2 / 87	3 / 74	1/2 / 13	1/2 / 13	3/4 / 20
	GF50	2" (4-bolt flange)			96409354	5-1/4 / 133	4 / 103	-	1/2 / 14	1/2 / 13	3/4 / 20
Bronze	GF15/26	3/4"			519651						
		1"			519652	4-1/4 / 106	3-1/8 / 80	2-3/4 / 67	1/2 / 13	1/2 / 13	3/4 / 20
		1-1/4"			96409356						
		GF40/43	1-1/2"			539615	4-3/4 / 120	3-1/2 / 87	3 / 74	1/2 / 13	1/2 / 13
	GF50	2" (4-bolt flange)			96409355	5-1/4 / 133	4 / 103	-	1/2 / 14	1/2 / 13	3/4 / 20
	GU 125 Union	3/4"			529912	1 / 25	1-7/8 / 46	1-1/4 / 31	5/8 / 16	-	-
Isolation Valves Bronze	GU 125 Union		1/2"		529913	3/4 / 20	1-7/8 / 46	3/4 / 20	5/8 / 16	-	-
			3/4"		529911	3/4 / 20	1-7/8 / 46	1 / 26	5/8 / 16	-	-
			1/2"		519850	2-1/4 / 57	1-7/8 / 46	1 / 25	5/8 / 16	-	-
			3/4"		519852	2-1/4 / 57	1-7/8 / 46	1-1/4 / 31	5/8 / 16	-	-
		3/4"		519851	2 / 51	1-7/8 / 46	1-1/4 / 31	5/8 / 16	-	-	

Notes:
 GF15/26/40/43 Flange sets to include two flanges, two gaskets, and four nuts and bolts.
 GF50 Flange sets to include two flanges, two gaskets, and eight nuts and bolts.
 GU 125 Union Union set to include two nuts, gaskets, and adapters.
 Dimensions are in inches unless otherwise noted.

Approvals (Bronze sets)

IAPMO - #6591