

High Volume Pressure Booster Pumps

For continuous-duty high flow, pressure boosting applications such as increasing water pressure from city mains or private water systems. Units are not self-priming but will lift water up to 25 ft. with foot valve and pump suction piping filled with water. Heavy-duty cast-iron body, brass or thermoplastic impellers, and mechanical seal with stainless steel, Buna N and carbon-silicon carbide parts. F&W 3450 RPM motor. NEMA 56J frame with threaded shaft.



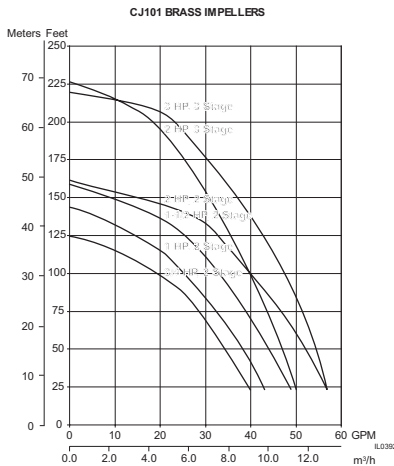
Submittal Data

Job or Customer	
Engineer	
Contractor	
Submitted by	Date
Approved by	Date
Specification Reference	
Quote Date	Quote Number

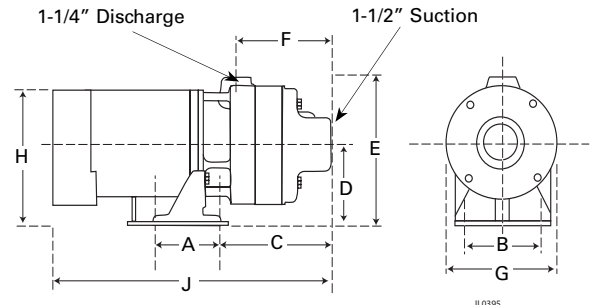
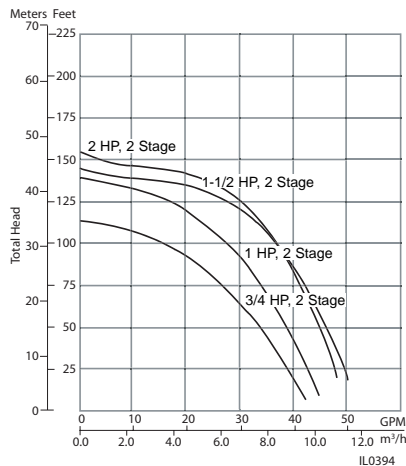
Quantity	Model Number	System Discharge Pressure (PSI)	Flow (GPM)	System Inlet Pressure (PSI)	Volts	Phase	Comments

Dimensions (In Inches)											Lbs. Ship Wt.
HP	Stage	A	B	C	D	E	F	G	H	J	
3/4	2	4	4-5/8	7-9/16	4-13/16	8-3/4	6-1/4	7	8-1/8	17-7/8	67
1	2	4	4-5/8	7-9/16	4-13/16	8-3/4	6-1/4	7	8-1/8	18-3/8	71
1-1/2	2	4	4-5/8	7-9/16	4-13/16	8-3/4	6-1/4	7	8-1/8	19	73
2	2	4	4-5/8	7-9/16	4-13/16	8-3/4	6-1/4	7	8-1/8	19-1/2	79
2	3	4	4-5/8	9-7/16	4-13/16	8-3/4	8-1/8	7	8-1/8	21-3/8	92
3	3	4	4-5/8	9-7/16	4-13/16	8-3/4	8-1/8	7	8-1/8	21-3/8	93

BRASS IMPELLERS



PLASTIC IMPELLERS



PUMP PERFORMANCE																		
Single Phase Model No.	Three Phase Model No.	HP	Stage	GPM at Total Pressure in PSI												Max. Press. PSI	♦Max. Case Press. PSI	♦Max. Liq. uid Temp.
				15	20	25	30	35	40	50	60	70	80	90				
BRASS IMPELLER MODELS																		
CJ101B071	CJ101B073	3/4	2	*	*	32	29	25	22	5					53	160	200°F	
CJ101B101	CJ101B103	1	2	*	*	35	32	29	27	23	3				62	160	200°F	
CJ101B151	CJ101B153	1-1/2	2	*	*	42	39	37	34	28	19				68	160	200°F	
CJ101B201	CJ101B203	2	2	*	*	45	44	43	40	34	26				70	160	200°F	
CJ101C201	CJ101C203	2	3	*	*	42	41	40	38	35	31	27	20	7	93	160	200°F	
CJ101C301	CJ101C303	3	3	*	*	51	50	49	43	41	40	35	29	21	95	160	200°F	
THERMOPLASTIC IMPELLER MODELS																		
CJ101P071	CJ101P073	3/4	2	*	*	31	28	23	20						48	160	160°F	
CJ101P101	CJ101P103	1	2	*	*	34	31	30	29	19					60	160	160°F	
CJ101P151	CJ101P153	1-1/2	2	*	*	46	44	41	37	31	14				61	160	160°F	
CJ101P201	CJ101P203	2	2	*	*	45	44	42	39	31	21				65	160	160°F	

*Operation of pump in this range may result in motor damage.

GENERAL PUMP DATA

Flow Range.....	1.5 - 51 GPM
Pressure Boost Range.....	.48 - 95 PSI
Liquid Temperature (Brass Impellers).....	34°F to 200°F
Liquid Temperature (Plastic Impellers).....	34°F to 160°F
Maximum Case Pressure.....	160 PSI

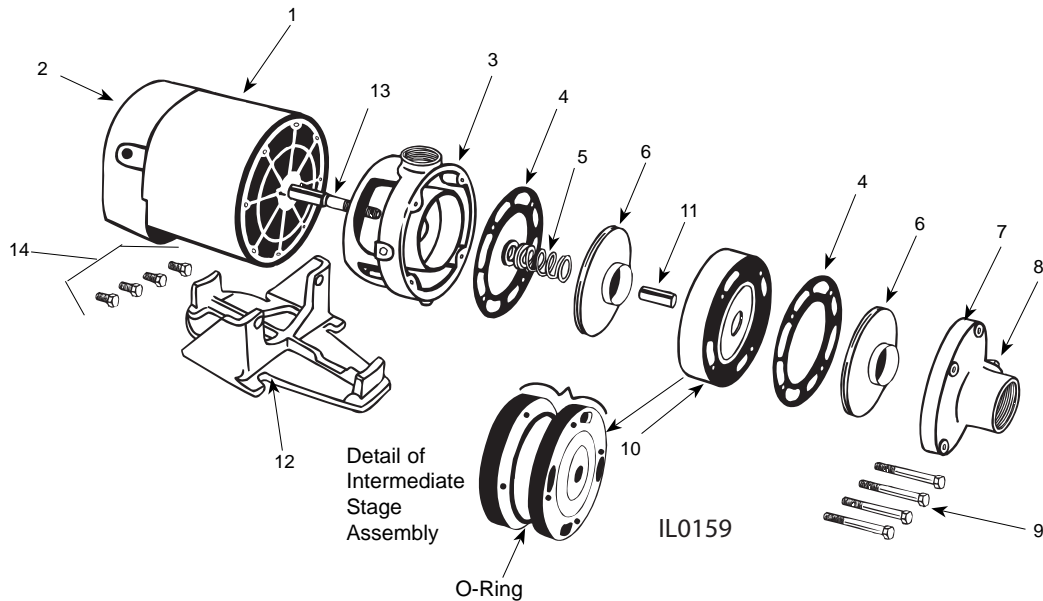


Agency Approvals.....	
Duty Cycle.....	Continuous
Pumping Medium.....	Clear Water
Service/Repair Information.....	Pump and Motor Field Serviceable

MOTOR DATA

HP	Locked-Rotor Torque (Starting Torque) In-Lbs.	Single Phase						3 Phase					
		S.F.	Max. Amb.	Max. Amb. @ SF before Overload Tripping	Breakdown Torque In-Lbs.	Peak Output Power		S.F.	Max. Amb.	Breakdown Torque In-Lbs.	Peak Output Power		
						HP	kW				HP	kW	
3/4	29	1.5	65° C/149° F	70° C/158° F	42	2.1	1.6	1.5	65° C	49	2.3	1.7	
1	48	1.4	65° C/149° F	66° C/151° F	52	2.5	1.9	1.4	65° C	74	3.5	2.6	
1.5	59	1.3	65° C/149° F	66° C/151° F	76	3.8	2.8	1.3	65° C	90	4.3	3.2	
2	63	1.25	65° C/149° F	66° C/151° F	80	4.0	3.0	1.25	65° C	112	5.3	4.0	
3	65	1.0	65° C/149° F	66° C/151° F	95	4.5	3.4	1.0	65° C	125	5.9	4.4	

Motor Voltage: Single Phase 1/3 - 2 HP - 115/230; 3HP - 230V 60 Hz.
 Three Phase 1/2 - 2 HP - 208-230/460, 50/60Hz
 Three Phase 3 HP - 208-230/460, 60Hz



CONSTRUCTION MATERIALS - PUMP

ITEM NO.	DESCRIPTION	MATERIALS
1	Motor Shell	Zinc-Clad Steel
2	Motor Access Cover	Valox
3	Mounting Ring	Cast Iron
4	Gasket	Lexide
5	Mechanical Seal Assembly	Carbon-silicon carbide, stainless steel spring and Buna-N
6	Impeller, Brass	Brass
6	Impeller, Plastic	Celcon
7	Suction Body w/Clearance Ring	Cast Iron
8	1/4" Plug	Plated Steel
9	3/8 x 3-1/4" Pump thru Bolts (2 stage units)	Plated Steel
9	3/8 x 5" Pump thru Bolts (3 stage units)	Plated Steel
10	Intermediate Stage w/Suction & Hub Clearance Ring	Cast Iron
11	Spacer Sleeve	Cast Iron
12	Base	Cast Iron
13	Pump Shaft	416 Stainless Steel
14	3/8 x 3/4" Motor Mounting Ring Bolts	Plated Steel