

ZSH 20

Shock Mount

Order # 454.559

FEATURES

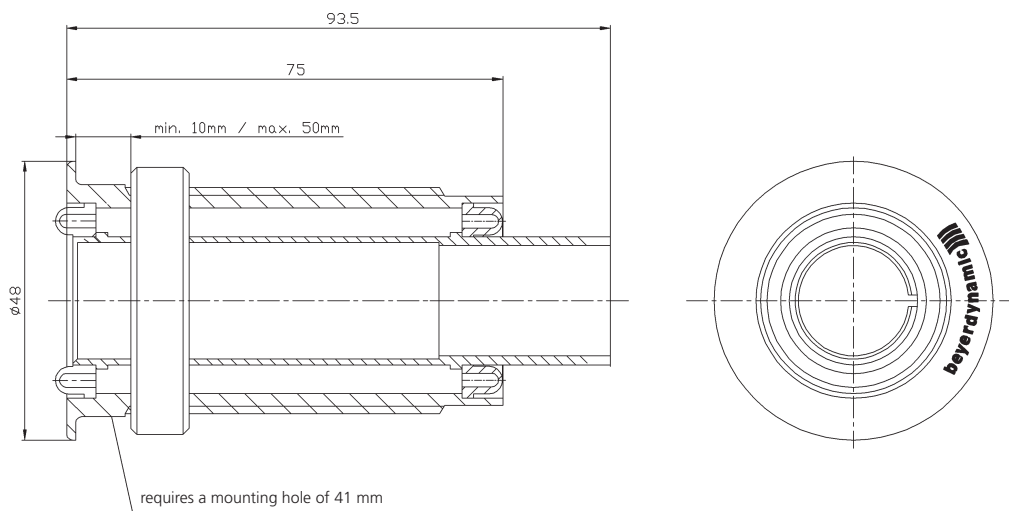
- Optimum isolation from physical vibration
- Rugged design
- Fast and easy set up

APPLICATIONS

The ZSH 20 is a shock mount for gooseneck microphones providing maximum isolation from physical vibration. It can be used for all microphones of the SHM series with a male XLR connection. The ZSH 20 requires a mounting hole of 41 mm.



DIMENSIONS



1 of 1

beyerdynamic GmbH & Co. KG
Theresienstr. 8 | 74072 Heilbronn – Germany
Tel. +49 (0) 71 31 / 617 - 0 | Fax +49 (0) 71 31 / 617 - 204
info@beyerdynamic.de | www.beyerdynamic.com

For further distributors worldwide, please go to www.beyerdynamic.com
Non-contractual illustrations. Contents subject to change without notice. E3 / ZSH 20 (11.10)

beyerdynamic