

PL2-26

MODEL	SHELF CLEARANCE
	A
PL2-34	6.25"
PL2-42	14.25

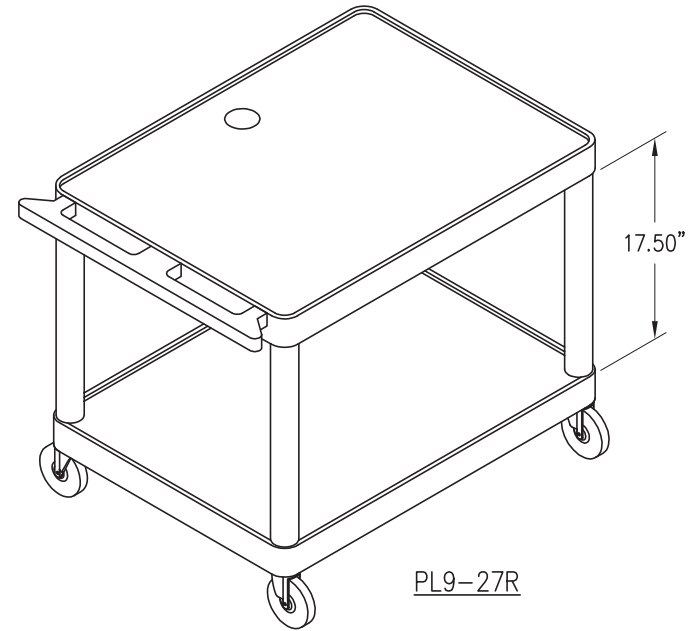
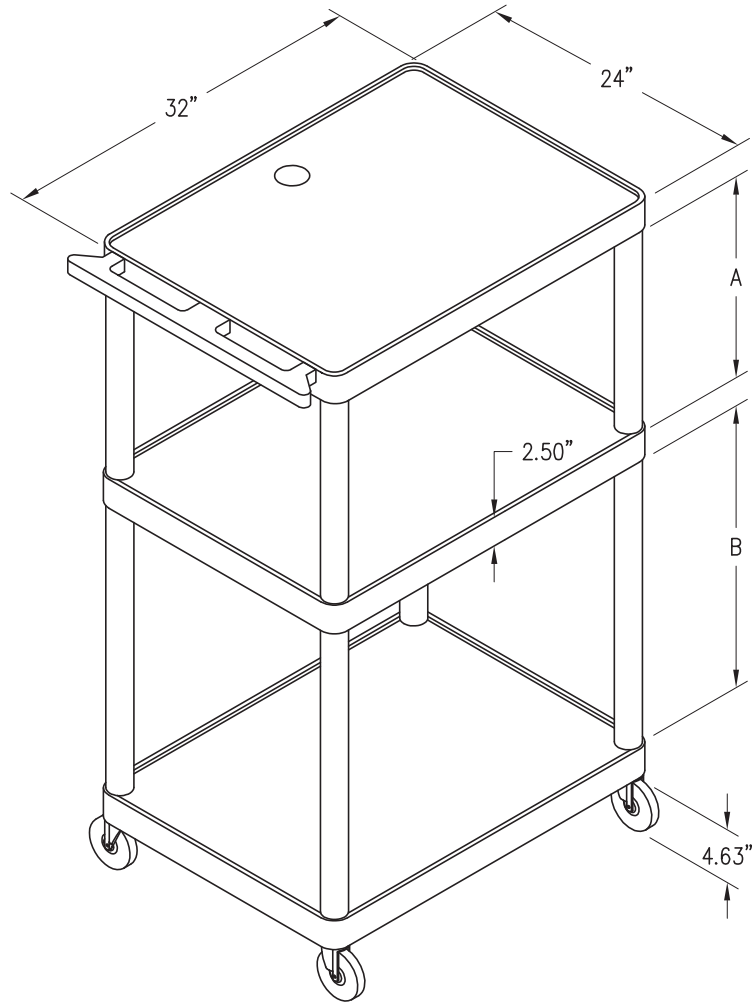


A Milestone AV Technologies Brand

3100 North Detroit Street  
 Warsaw, Indiana 46582  
 P: 574.267.8101 or 800.622.3737  
 F: 574.267.7804 or 877.325.4832  
 E: info@da-lite.com  
 www.da-lite.com

© 2014 Milestone AV Technologies LLC. Printed in U.S.A.

# PIXMate® PL2 Plastic Carts



PL9-27R

MODEL	SHELF CLEARANCE	
	A	B
PL9-40R	11.00"	17.50"
PL9-48R	17.50"	19.00"
PL9-54R	17.50"	25.00"
PL9-DUOR	11.00" OR 17.50"	17.50" OR 25.00"



A Milestone AV Technologies Brand

3100 North Detroit Street  
 Warsaw, Indiana 46582  
 P: 574.267.8101 or 800.622.3737  
 F: 574.267.7804 or 877.325.4832  
 E: info@da-lite.com  
 www.da-lite.com

© 2014 Milestone AV Technologies LLC. Printed in U.S.A.

# PIXMate® PL9 Plastic Carts