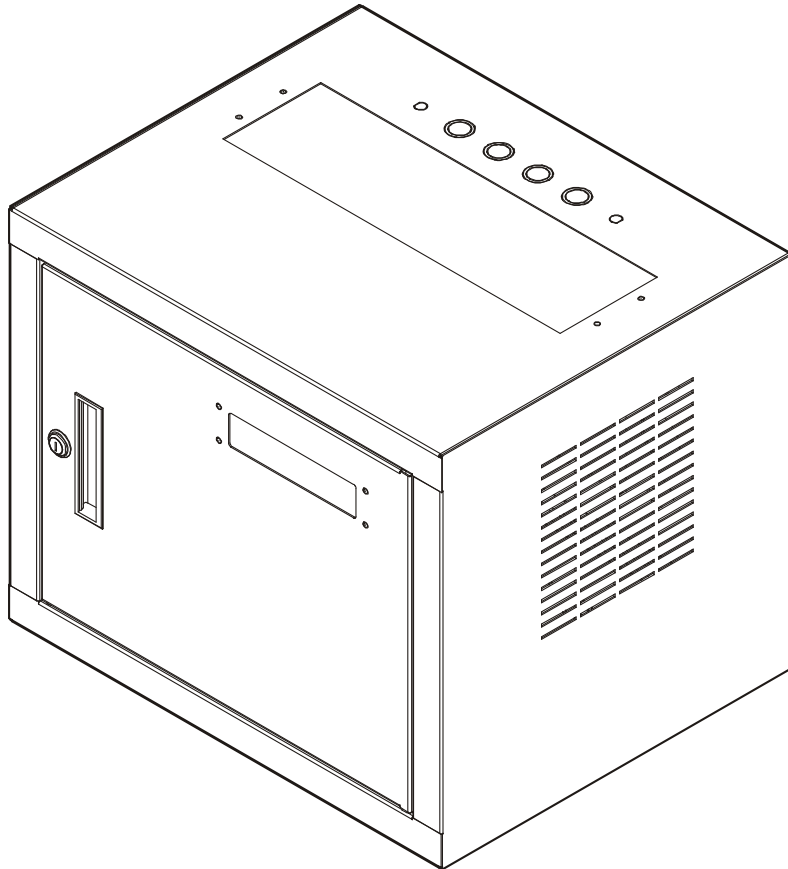


---

# INSTALLATION INSTRUCTIONS

---



---

## Fixed Wall Racks


---


## DISCLAIMER


Milestone AV Technologies and its affiliated corporations and subsidiaries (collectively "Milestone"), intend to make this manual accurate and complete. However, Milestone makes no claim that the information contained herein covers all details, conditions or variations, nor does it provide for every possible contingency in connection with the installation or use of this product. The information contained in this document is subject to change without notice or obligation of any kind. Milestone makes no representation of warranty, expressed or implied, regarding the information contained herein. Milestone assumes no responsibility for accuracy, completeness or sufficiency of the information contained in this document.


Chief® is a registered trademark of Milestone AV Technologies. All rights reserved.


## IMPORTANT WARNINGS AND CAUTIONS!

 **WARNING:** A WARNING alerts you to the possibility of serious injury or death if you do not follow the instructions.

 **CAUTION:** A CAUTION alerts you to the possibility of damage or destruction of equipment if you do not follow the corresponding instructions.

 **WARNING:** Failure to read, thoroughly understand, and follow all instructions can result in serious personal injury, damage to equipment, or voiding of factory warranty! It is the installer's responsibility to make sure all components are properly assembled and installed using the instructions provided.

 **WARNING:** Failure to provide adequate structural strength for this component can result in serious personal injury or damage to equipment! It is the installer's responsibility to make sure the structure to which this component is attached can support five times the combined weight of all equipment. Reinforce the structure as required before installing the component. The wall to which the mount is being attached may have a maximum drywall thickness of 5/8" (1.6cm).



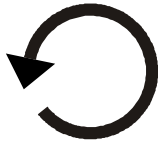

 **WARNING:** Exceeding the weight capacity can result in serious personal injury or damage to equipment! It is the installer's responsibility to make sure the combined weight of all components located within the rack does not exceed 150 lbs (68.0 kg)\*. Use with products heavier than the maximum weight indicated may result in instability or collapse of the rack causing possible injury.

**IMPORTANT ! :** If the installation of this product requires OSHPD seismic approval, refer to OSHPD pre-approval documents and drawings before beginning installation. OSHPD documents and drawings are available at [www.chiefmfg.com/racks](http://www.chiefmfg.com/racks) and located on the product information page for the rack.

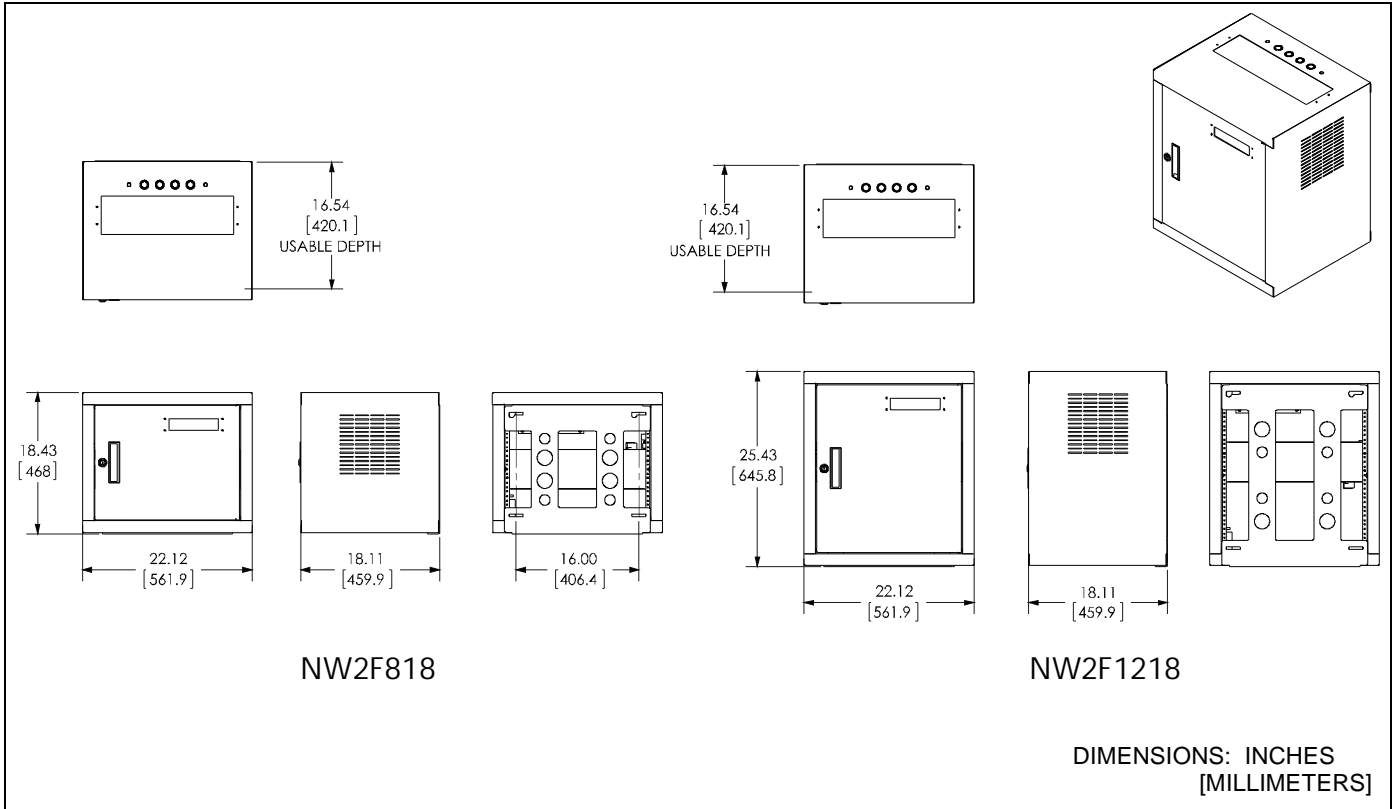
\* For use with OSHPD rating: The combined weight of all components located within the rack must not exceed 150 lbs (68.0 kg).

**IMPORTANT ! :** Minimum spacings between the Accessories and components and the (AV) Equipment Cabinet shall be maintained for safe operation of the equipment when installed in accordance with the National Electric Code, ANSI/NFPA 70-2008. Operating temperature inside rack shall not exceed 104° F.

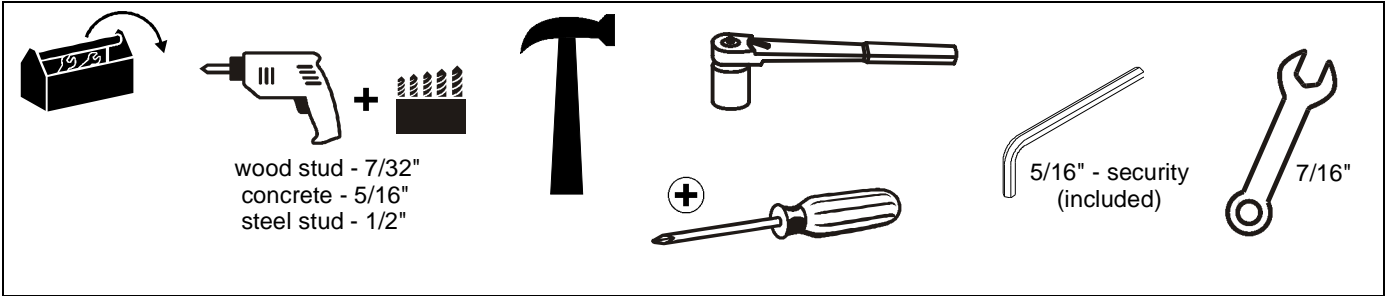
## LEGEND

	<b>Tighten Fastener</b>		<b>Open-Ended Wrench</b>
	Apretar elemento de fijación		Llave de boca
	Befestigungsteil festziehen		Gabelschlüssel
	Apertar fixador		Chave de bocas
	Serrare il fissaggio		Chiave a punta aperte
	Bevestiging vastdraaien		Steeksleutel
Serrez les fixations	Clé à fourche		
	<b>Loosen Fastener</b>		<b>Phillips Screwdriver</b>
	Aflojar elemento de fijación		Destornillador Phillips
	Befestigungsteil lösen		Kreuzschlitzschraubendreher
	Desapertar fixador		Chave de fendas Phillips
	Allentare il fissaggio		Cacciavite a stella
	Bevestiging losdraaien		Kruiskopschroevendraaier
Desserrez les fixations	Tournevis à pointe cruciforme		

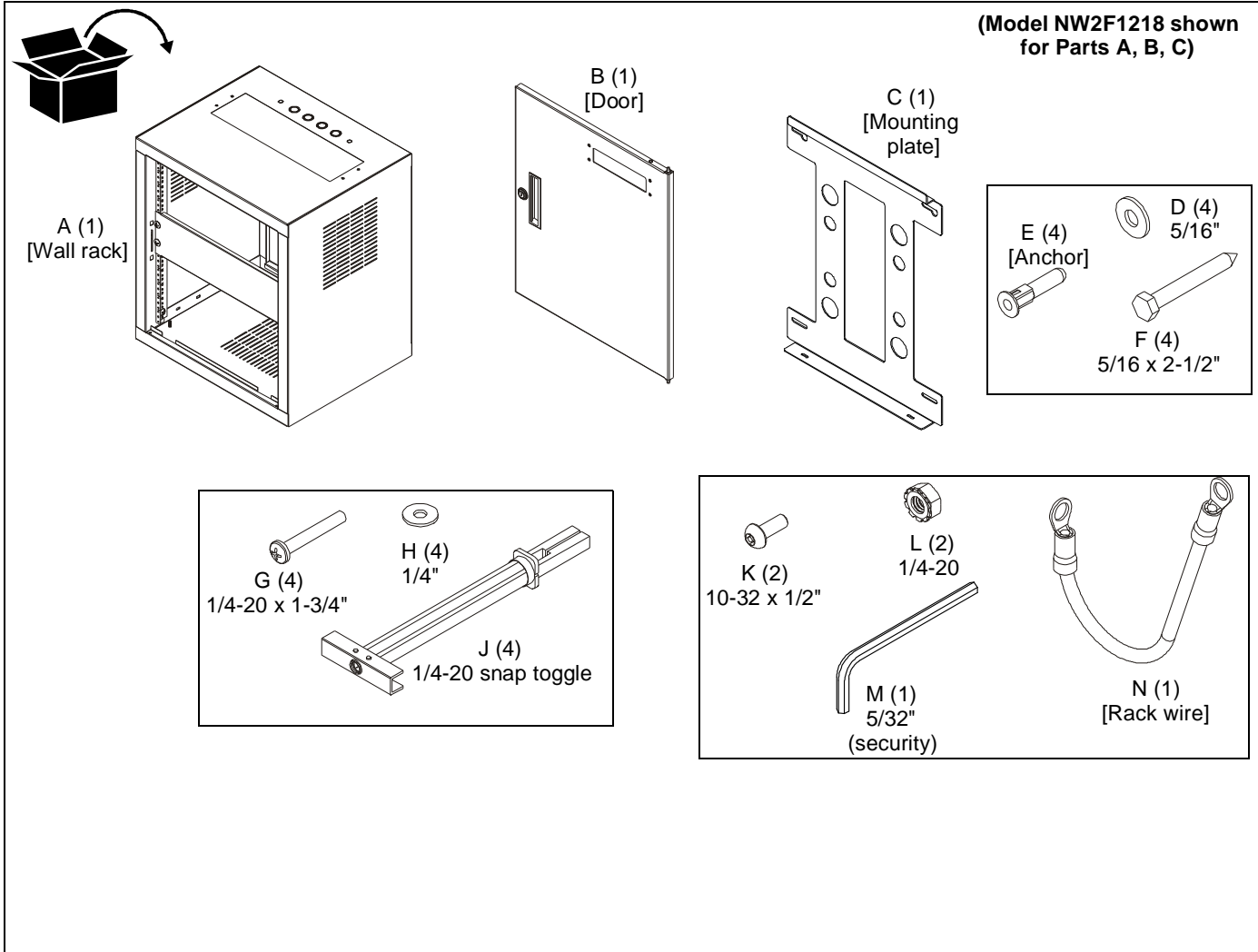
### DIMENSIONS



**TOOLS REQUIRED FOR INSTALLATION**



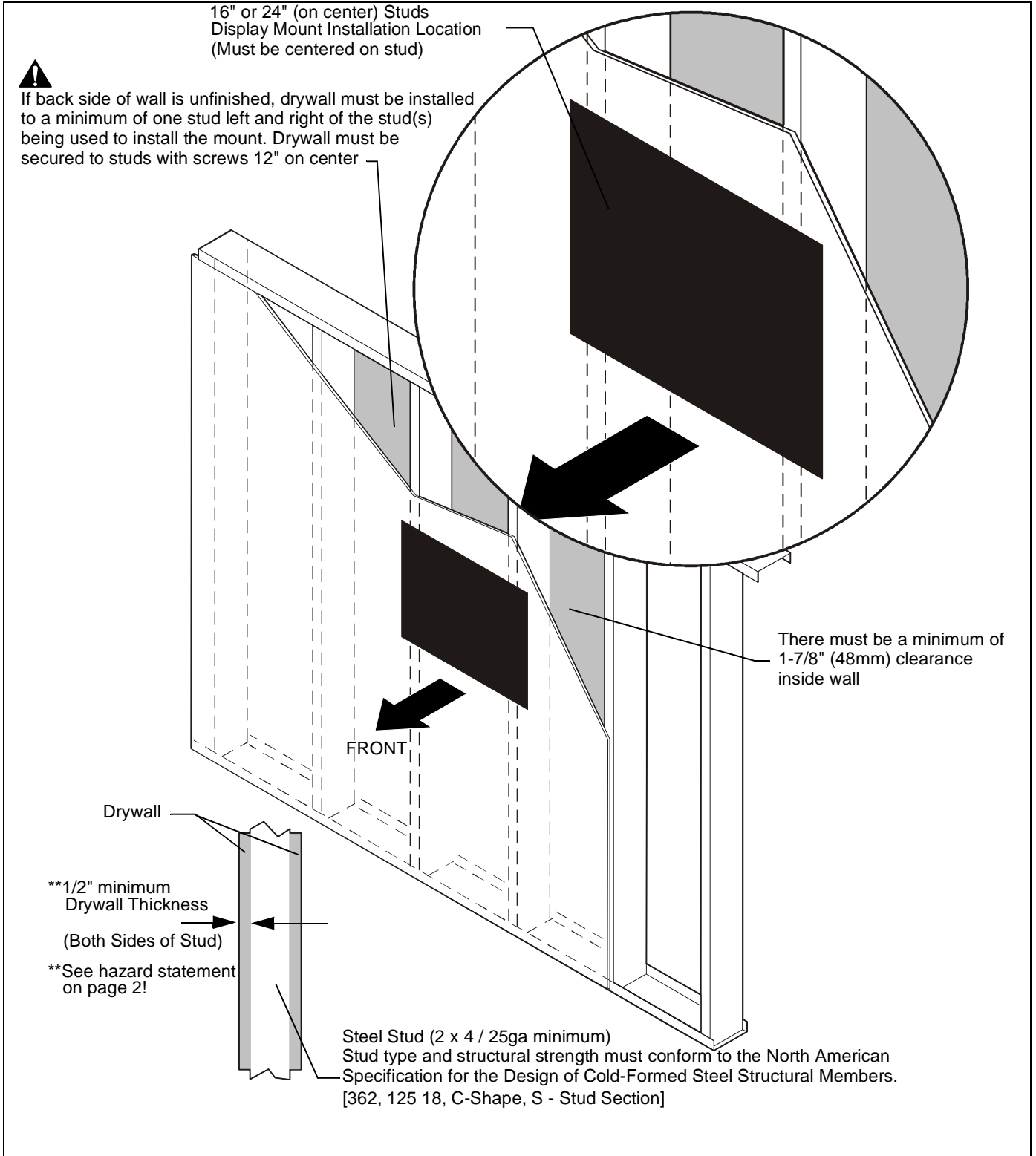
**PARTS**



**SITE REQUIREMENTS (NW2F8-18 and NW2F12-18 Models) - Steel Stud Structure**



**WARNING:** IMPROPER INSTALLATION CAN LEAD TO EQUIPMENT FALLING CAUSING SERIOUS PERSONAL INJURY OR DAMAGE TO EQUIPMENT! The figure below identifies the minimum requirements for installation of display mounts onto a steel stud structure. If the structure or its components do not meet these requirements contact the mount manufacturer for specific instructions before attempting installation. It should also be noted that no other equipment should be mounted to the same stud. (See Figure 1)



**Figure 1**

## INTRODUCTION

The NW2 wall racks have been designed to be mounted onto either a 2" x 4" wood stud (16" on center), concrete, or steel stud wall.

### Locate Mounting Site



**WARNING:** IMPROPER INSTALLATION CAN LEAD TO MOUNT FALLING CAUSING SEVERE PERSONAL INJURY OR DAMAGE TO EQUIPMENT! It is the installers responsibility to make certain the structure to which the mount is being attached is capable of supporting five times the weight of the NW2 and all attached equipment not to exceed 100 lbs (45.4 kg).

**NOTE:** Proceed to either **Installing to a Wood Stud Wall**, **Installing to a Concrete Wall** or **Installing to a Steel Stud Wall** section.

### Installing to a Wood Stud Wall

Determine location of NW2 wall rack, ensuring it is centered between wood studs.



**WARNING:** ELECTRICAL SHOCK HAZARD! CUTTING OR DRILLING INTO ELECTRICAL CORDS OR CABLES CAN CAUSE DEATH OR SERIOUS PERSONAL INJURY! ALWAYS make certain area behind mounting surface is free of electrical wires and cables before drilling or installing fasteners.



**WARNING:** EXPLOSION AND FIRE HAZARD! CUTTING OR DRILLING INTO GAS PLUMBING CAN CAUSE DEATH OR SERIOUS PERSONAL INJURY! ALWAYS make certain area behind mounting surface is free of gas, water, waste, or any other plumbing before cutting, drilling, or installing fasteners.

1. Using the mounting plate (C) as a template, mark the wall on each stud at the top mounting slots. (See Figure 2)
2. Drill one 7/32" (5.5mm) pilot hole at both marks made in Step 1. (See Figure 1)
3. Use two 5/16 x 2-1/2" lag bolts (F) and two 5/16" flat washers (D) to attach top of mounting plate (C) to wall. (See Figure 2)
4. Mark the attachment points for the lower mounting slots, making sure the attachment points are located on the studs. (See Figure 2)
5. Drill 7/32" (5.5mm) pilot holes at markings for lower mounting holes. (See Figure 2)
6. Use two 5/16 x 2-1/2" lag bolts (F) and two 5/16" flat washers (D) to complete installing mounting plate (C) to the wall through the lower mounting holes. (See Figure 2)

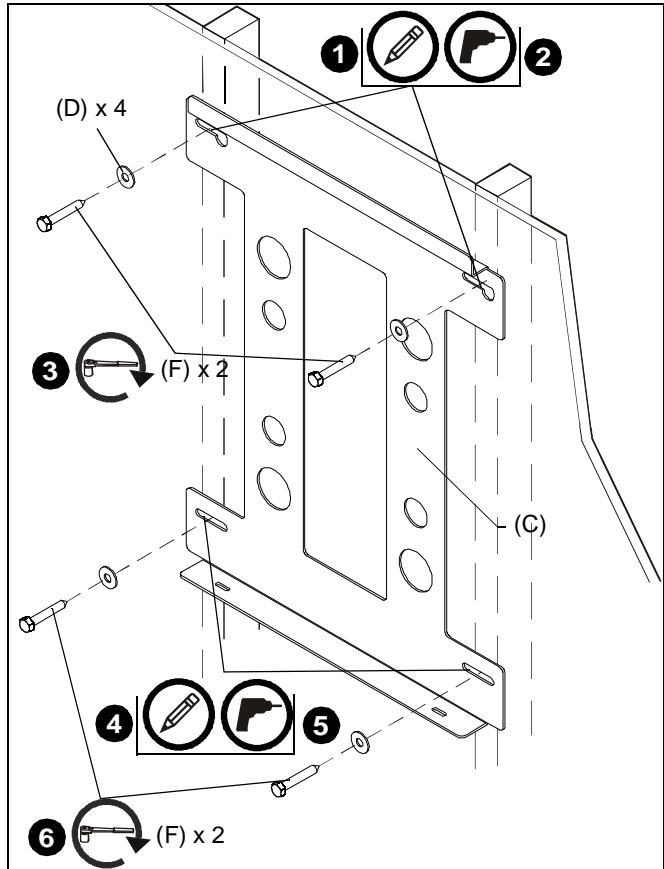


Figure 2

### Installing to a Concrete Wall

Determine location of NW2 wall rack.



**WARNING:** ELECTRICAL SHOCK HAZARD! CUTTING OR DRILLING INTO ELECTRICAL CORDS OR CABLES CAN CAUSE DEATH OR SERIOUS PERSONAL INJURY! ALWAYS make certain area behind mounting surface is free of electrical wires and cables before drilling or installing fasteners.



**WARNING:** EXPLOSION AND FIRE HAZARD! CUTTING OR DRILLING INTO GAS PLUMBING CAN CAUSE DEATH OR SERIOUS PERSONAL INJURY! ALWAYS make certain area behind mounting surface is free of gas, water, waste, or any other plumbing before cutting, drilling, or installing fasteners.

1. Using the mounting plate (C) as a template, mark the wall at the top mounting slots. (See Figure 3)
2. Drill one 5/16" pilot hole at both marks made in Step 1. (See Figure 3)
3. Install an anchor (E) into each pilot hole using a hammer, making sure that the anchor is flush with the wall.

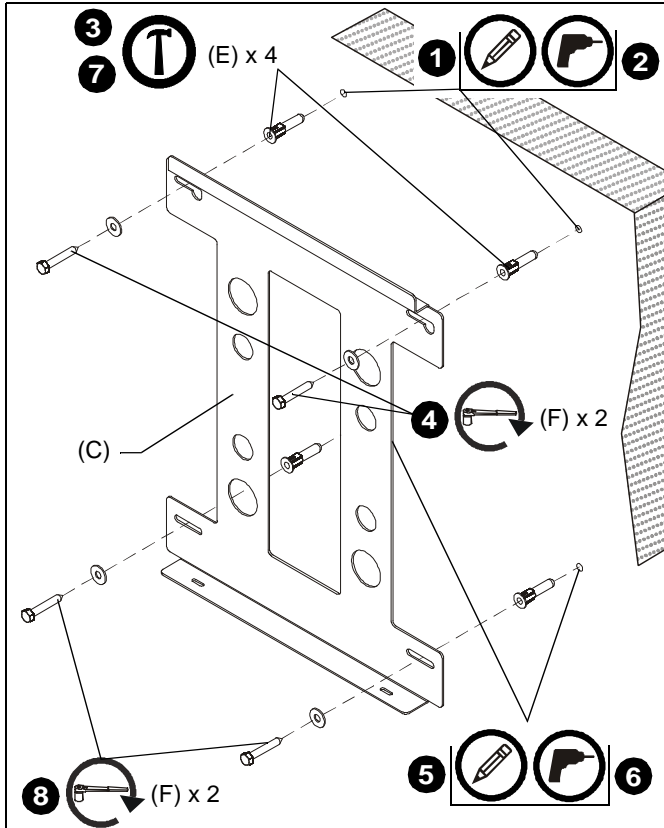


Figure 3

4. Use two 5/16 x 2-1/2" lag bolts (F) and two 5/16" flat washers (D) to attach top of mounting plate (C) to anchors in wall. (See Figure 2)
5. Mark the attachment points for the lower mounting slots. (See Figure 3)
6. Drill one pilot hole at each marking for lower mounting holes. (See Figure 3)
7. Install an anchor (E) into each pilot hole using a hammer.
8. Use two 5/16 x 2-1/2" lag bolts (F) and two 5/16" flat washers (D) to attach the mounting plate (C) to the wall through the lower mounting holes. (See Figure 3)

**Installing to a Steel Stud Wall**

**IMPORTANT !** : See **Site Requirements** section before proceeding with Steel Studs installation to ensure installation site meets requirements! The drywall must have a minimum thickness of 1/2"!

Determine location of NW2 wall rack. Use stud finder to locate steel studs.

**⚠ WARNING: ELECTRICAL SHOCK HAZARD! CUTTING OR DRILLING INTO ELECTRICAL CORDS OR CABLES CAN CAUSE DEATH OR SERIOUS PERSONAL INJURY!** ALWAYS make certain area behind mounting surface is free of electrical wires and cables before drilling or installing fasteners.

**⚠ WARNING: EXPLOSION AND FIRE HAZARD! CUTTING OR DRILLING INTO GAS PLUMBING CAN CAUSE DEATH OR SERIOUS PERSONAL INJURY!** ALWAYS make certain area behind mounting surface is free of gas, water, waste, or any other plumbing before cutting, drilling, or installing fasteners.

1. Using the mounting plate (C) as a template, mark the wall at the top mounting slots.
2. Drill one 1/2" pilot hole at both marks made in Step 1. (See Figure 4)

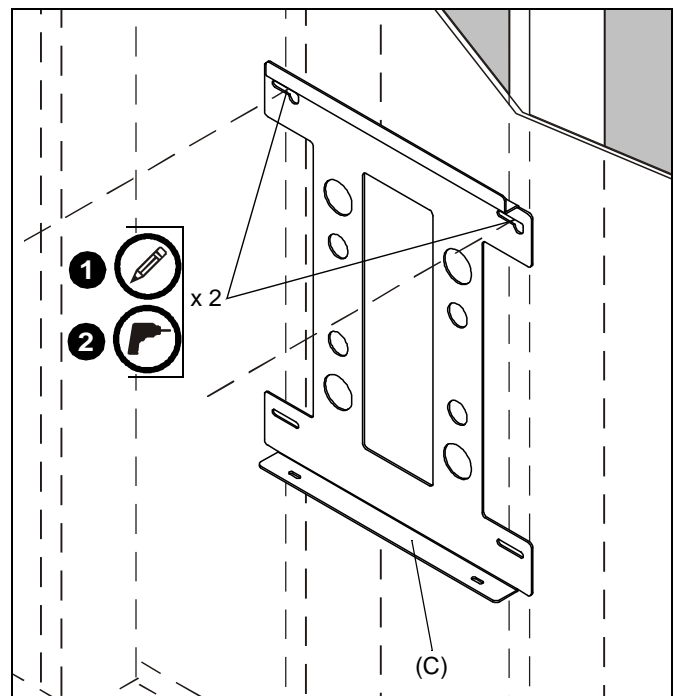


Figure 4

3. Hold metal channel on anchor (J) flat alongside plastic straps and slide channel through hole. (See Figure 5)

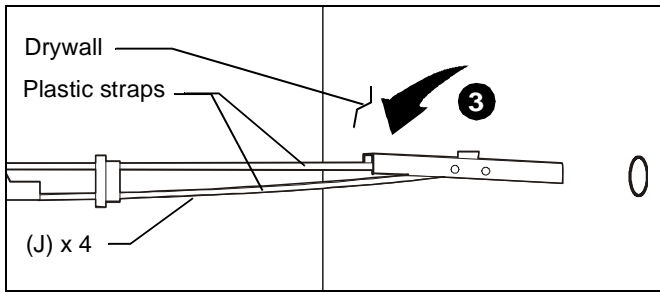


Figure 5

4. Holding plastic straps on anchor (J), pull anchor away from wall until channel rests flush behind wall making sure anchor channel is positioned vertically on stud. (See Figure 6)
5. Slide plastic cap on anchor (J) towards wall until flange of cap is flush with wall. (See Figure 6)

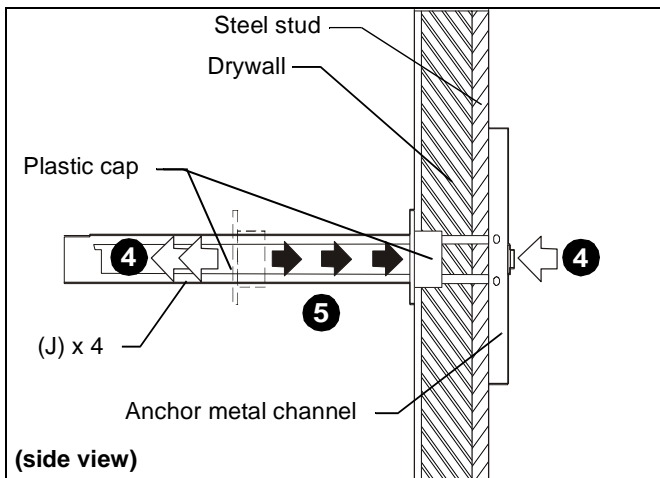


Figure 6

6. Snap off plastic straps on anchor at wall by pushing side to side, snapping off straps level with flange of plastic cap. (See Figure 7)
7. Repeat Steps 3 through 6 for other mounting hole.

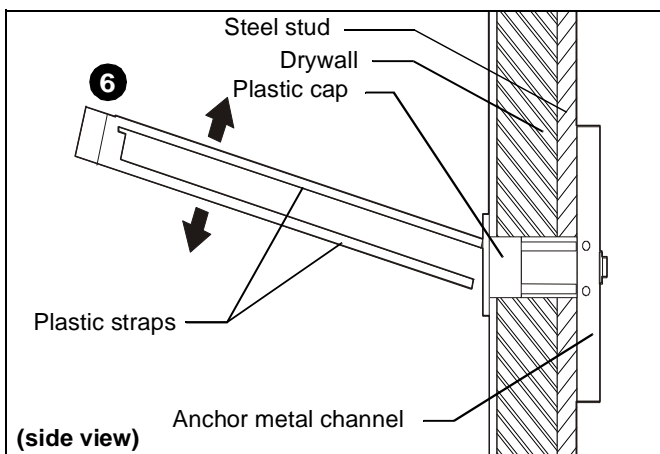


Figure 7

8. Place mounting plate (C) over anchors and align top mounting holes in mounting plate with holes in anchors.
9. Insert 1/4-20 x 1-3/4" Phillips pan head screws (G) through 1/4" washer (H), corresponding mounting hole on mounting plate and into anchor (J) and tighten until flush against mounting plate. DO NOT overtighten! (See Figure 8)



**WARNING:** IMPROPER INSTALLATION CAN LEAD TO EQUIPMENT FALLING CAUSING SERIOUS PERSONAL INJURY OR DAMAGE TO EQUIPMENT! Overtightening of mounting hardware can damage the steel studs. DO NOT overtighten mounting hardware!

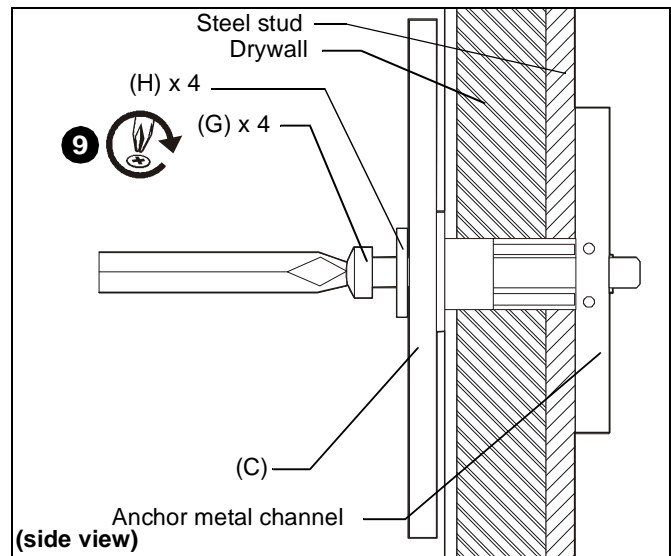


Figure 8

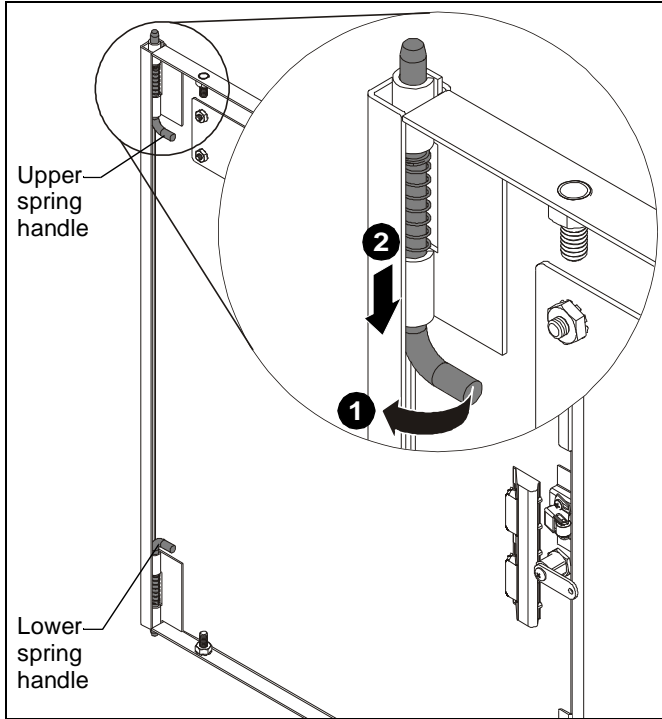
10. Repeat Step 9 for remaining upper mounting hole.
11. Repeat Steps 1-9 for lower mounting holes.



**Attaching Door**

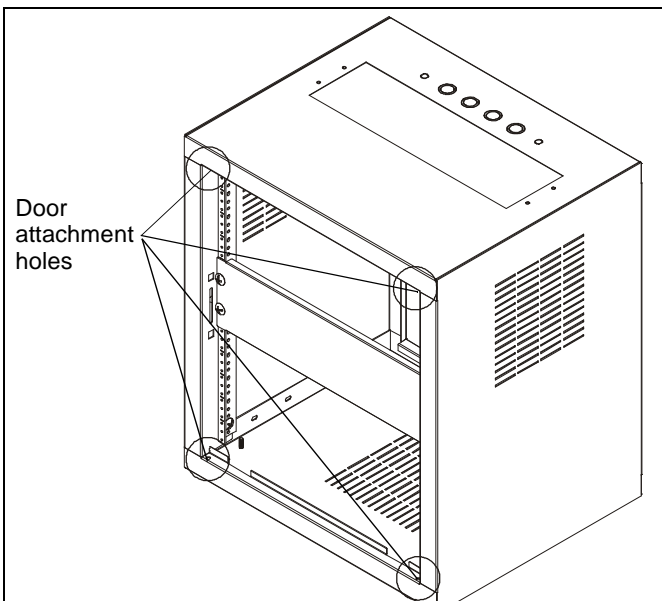
**NOTE:** The door may be attached on either the left or right of the rack.

1. Rotate two spring handles (one at bottom and one at top) on inside of door. (See Figure 9)



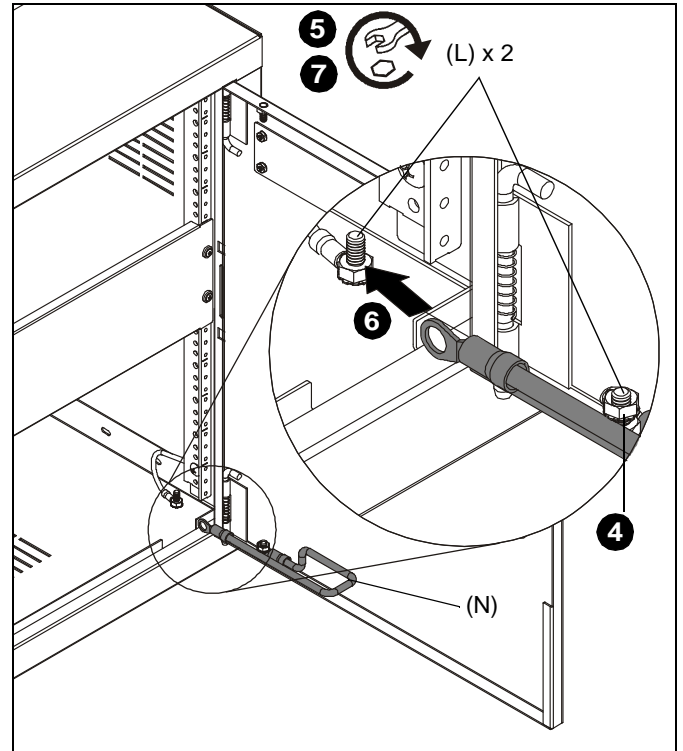
**Figure 9**

2. Pull down on upper spring handle, and push up on lower spring handle. (See Figure 9)
3. Insert door into rack, aligning the spring handle ends with the holes in the top and bottom of rack. (See Figure 10)



**Figure 10**

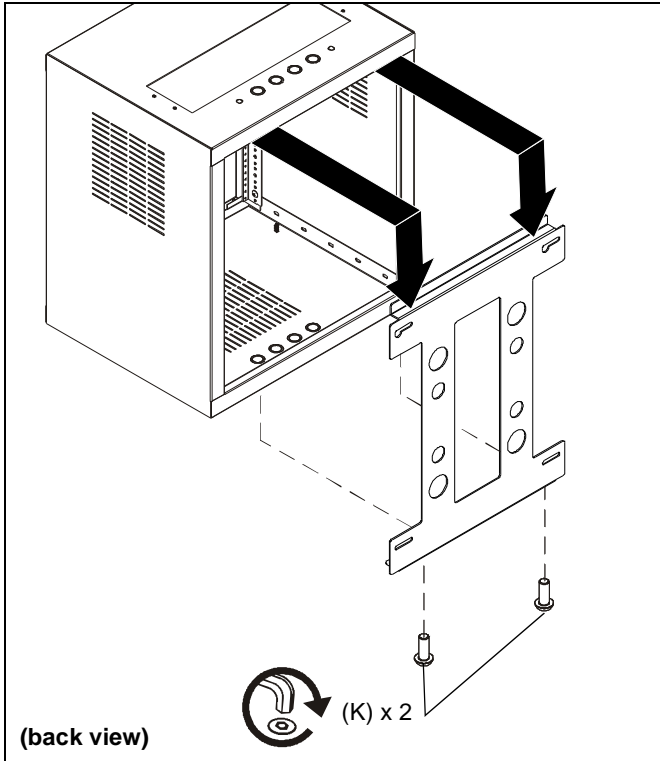
4. Add one end of rack wire (N) to grounding stud at bottom of door. (See Figure )
5. Tighten 1/4-20 nut (L) onto grounding stud. (See Figure )
6. Place opposite end of rack wire to grounding stud on floor of rack. (See Figure )
7. Tighten 1/4-20 nut (L) over rack wire and onto grounding stud. (See Figure )



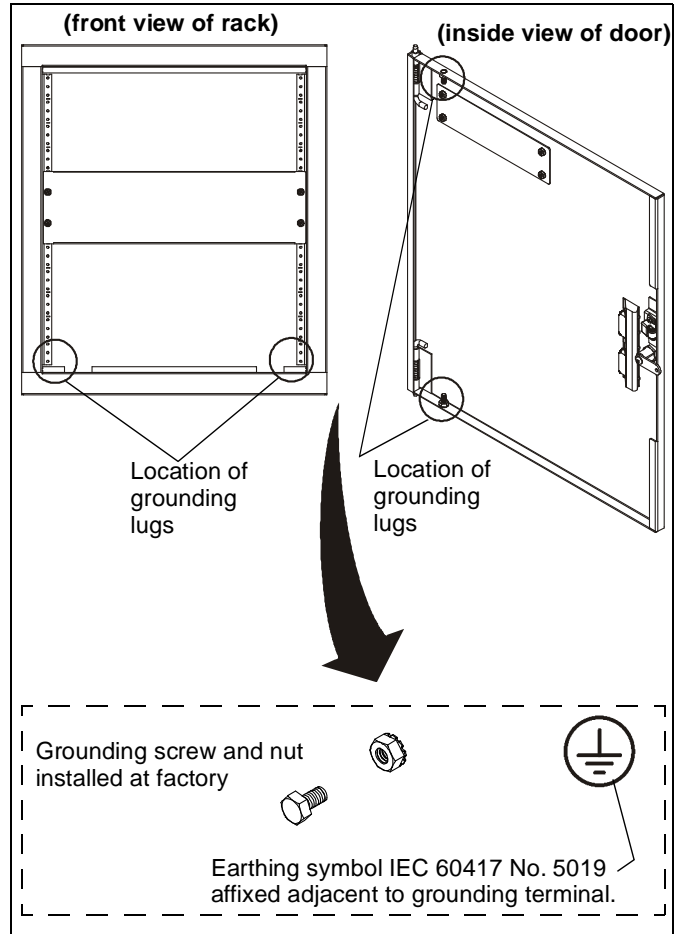
**Figure 11**

**Completing Installation**

1. Hang rack over top rail of mounting plate. (See Figure 13)
2. Fasten rack from below to mounting plate using two 10-32 x 1/2" security buttonhead screws (K). (See Figure 13)



**Figure 12**



**Figure 13**



**DANGER:** IMPROPER WIRING CAN LEAD TO DEATH OR SEVERE PERSONAL INJURY! Grounding must be installed by qualified personnel using a UL Recognized No. 12AWG Green and Yellow grounding wire connected to grounding lug on rack.

**LOADING THE RACK**

**NOTE:** The alignment panels shipped with the racks are optional. They may be removed to facilitate loading of the racks.

**Load Distribution**



**CAUTION:** BEGIN PLACEMENT OF LOAD AT BOTTOM OF RACK! Load rack, moving from bottom toward top of rack. Loading rack incorrectly may result in instability causing possibly injury and/or damage to components.

1. Begin placement of components into the rack at the lowest point.

**NOTE:** Continue placing items into the rack, moving from the bottom upward.



**CAUTION:** The top of the unit should not be used as a shelf.



**CAUTION:** DISTRIBUTE LOAD CORRECTLY! Load rack with 2/3 total weight of components in the lower half of rack. Loading rack incorrectly may result in instability causing possible injury and/or damage to components.



Chief Manufacturing, a products division  
of Milestone AV Technologies

8821-002035 Rev00  
©2011 Milestone AV Technologies, a  
Duchossois Group Company  
[www.chiefmfg.com](http://www.chiefmfg.com)  
05/11

<b>USA/International</b>	<b>A</b> 8401 Eagle Creek Parkway, Savage, MN 55378 <b>P</b> 800.582.6480 / 952.894.6280 <b>F</b> 877.894.6918 / 952.894.6918
<b>Europe</b>	<b>A</b> Fellenoord 130 5611 ZB EINDHOVEN, The Netherlands <b>P</b> +31 (0)40 2668620 <b>F</b> +31 (0)40 2668615
<b>Asia Pacific</b>	<b>A</b> Office No. 1 on 12/F, Shatin Galleria 18-24 Shan Mei Street Fotan, Shatin, Hong Kong <b>P</b> 852 2145 4099 <b>F</b> 852 2145 4477

