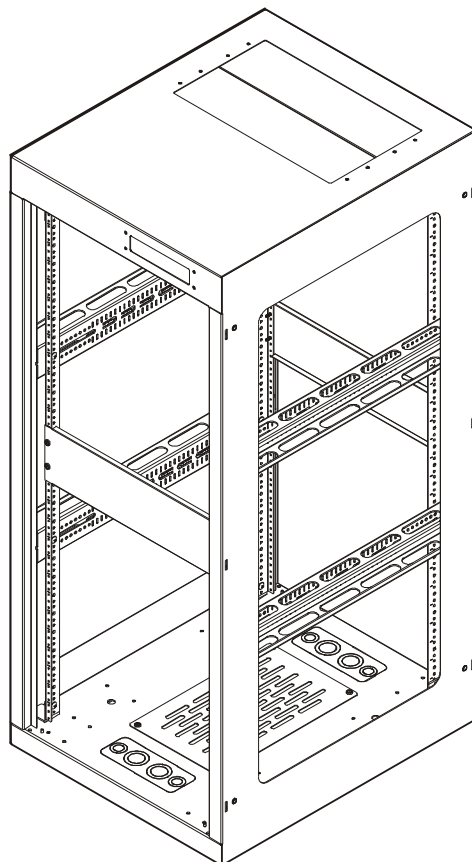

INSTALLATION INSTRUCTIONS



Gangable Racks

DISCLAIMER

Milestone AV Technologies and its affiliated corporations and subsidiaries (collectively "Milestone"), intend to make this manual accurate and complete. However, Milestone makes no claim that the information contained herein covers all details, conditions or variations, nor does it provide for every possible contingency in connection with the installation or use of this product. The information contained in this document is subject to change without notice or obligation of any kind. Milestone makes no representation of warranty, expressed or implied, regarding the information contained herein. Milestone assumes no responsibility for accuracy, completeness or sufficiency of the information contained in this document.

Chief® is a registered trademark of Milestone AV Technologies. All rights reserved.



IMPORTANT WARNINGS AND CAUTIONS!



WARNING: A WARNING alerts you to the possibility of serious injury or death if you do not follow the instructions.



CAUTION: A CAUTION alerts you to the possibility of damage or destruction of equipment if you do not follow the corresponding instructions.



WARNING: Failure to read, thoroughly understand, and follow all instructions can result in serious personal injury,

damage to equipment, or voiding of factory warranty! It is the installer's responsibility to make sure all components are properly assembled and installed using the instructions provided.



WARNING: Exceeding the weight capacity can result in serious personal injury or damage to equipment! It is the installer's responsibility to make sure the combined weight of all components located within the rack does not exceed 2500 lbs (1134.0 kg)*. Use with products heavier than the maximum weight indicated may result in instability or collapse of the rack causing possible injury.

IMPORTANT ! : If the installation of this product requires OSHPD seismic approval, refer to OSHPD pre-approval documents and drawings before beginning installation. OSHPD documents and drawings are available at www.chiefmfg.com/racks and located on the product information page for the rack.

* For use with OSHPD rating: The combined weight of all components located within the rack must not exceed 1600 lbs (725.7 kg).

IMPORTANT ! : Minimum spacings between the Accessories and components and the (ITC/AV) Rack Enclosure shall be maintained for safe operation of the equipment when installed in accordance with the National Electric Code, ANSI/NFPA 70-2008. Operating temperature inside rack shall not exceed 104° F.

DIMENSIONS

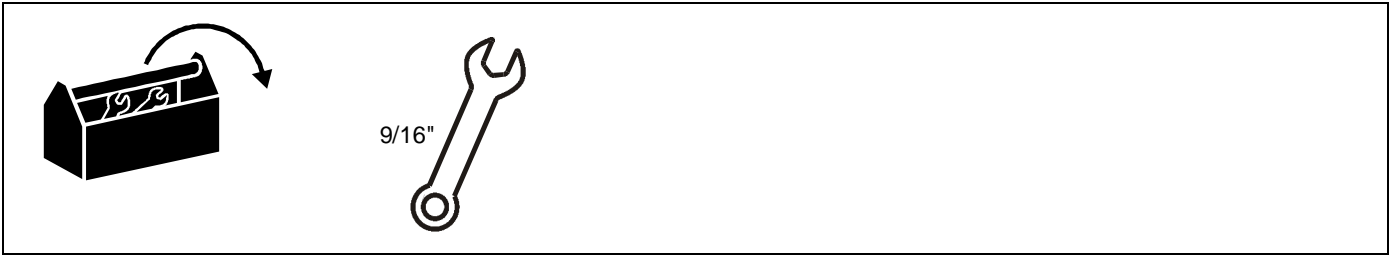
MODEL	WEIGHT CAPACITY Lbs (kg)	RACKING HEIGHT UNITS	OVERALL DEPTH (A) Inches (mm)	USABLE DEPTH (B) Inches (mm)	WIDTH (C) Inches (mm)	HEIGHT (D) Inches (mm)
NG1F2828	2500 (1134)	28	28 (711)	24.5 (622)	23.3 (592)	56 (1422)
NG1F2833	2500 (1134)	28	33 (838)	29.5 (749)	23.3 (592)	56 (1422)
NG1F3628	2500 (1134)	36	28 (711)	24.5 (622)	23.3 (592)	70 (1778)
NG1F3633	2500 (1134)	36	33 (838)	29.5 (749)	23.3 (592)	70 (1778)
NG1F4428	2500 (1134)	44	28 (711)	24.5 (622)	23.3 (592)	84 (2134)
NG1F4433	2500 (1134)	44	33 (838)	29.5 (749)	23.3 (592)	84 (2134)

NOTE: NG1F2828 SHOWN

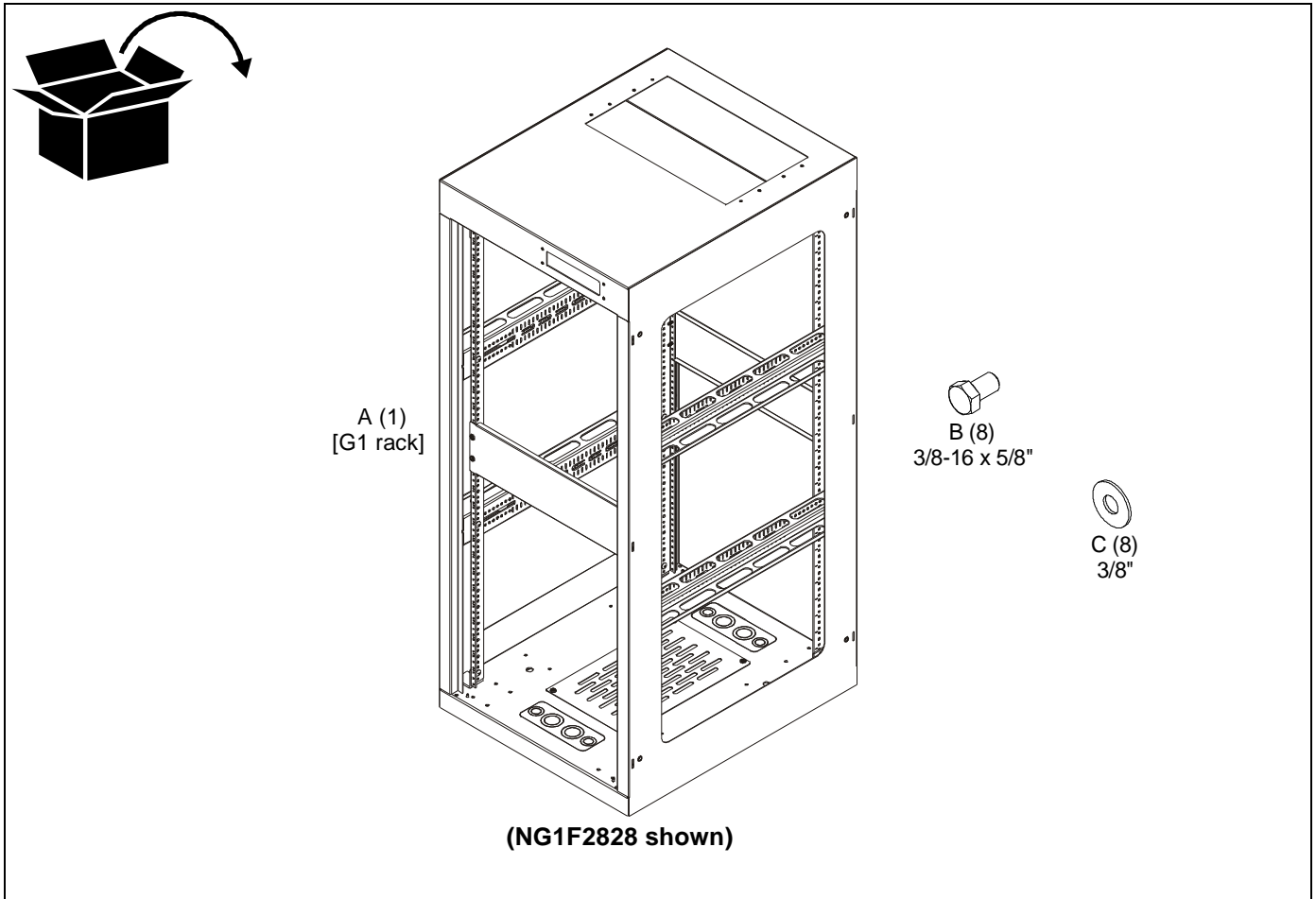
LEGEND

	Tighten Fastener		Open-Ended Wrench
	Apretar elemento de fijación		Llave de boca
	Befestigungsteil festziehen		Gabelschlüssel
	Apertar fixador		Chave de bocas
	Serrare il fissaggio		Chiave a punta aperta
	Bevestiging vastdraaien		Steeksleutel
Serrez les fixations	Clé à fourche		
	Loosen Fastener		Phillips Screwdriver
	Aflojar elemento de fijación		Destornillador Phillips
	Befestigungsteil lösen		Kreuzschlitzschraubendreher
	Desapertar fixador		Chave de fendas Phillips
	Allentare il fissaggio		Cacciavite a stella
	Bevestiging losdraaien		Kruiskopschroevendraaier
Desserrez les fixations	Tournevis à pointe cruciforme		

TOOLS REQUIRED FOR INSTALLATION



PARTS



INTRODUCTION

The G1 Series racks may be configured with optional accessories (not included) such as doors, side panels, levelers, casters, fan panels, etc. All accessory installation instructions accompany the accessories.

NOTE: The top cover panels may be removed and replaced with fan panels (follow instructions included with the fan panels), or other 3U panels (remove four nuts, replace existing panel, and replace and tighten nuts.) (See Figure 1)

NOTE: The bottom cover panel may be removed for wire entry or may be replaced with a filtered fan panel. Follow instructions included with the fan panel. (See Figure 1)

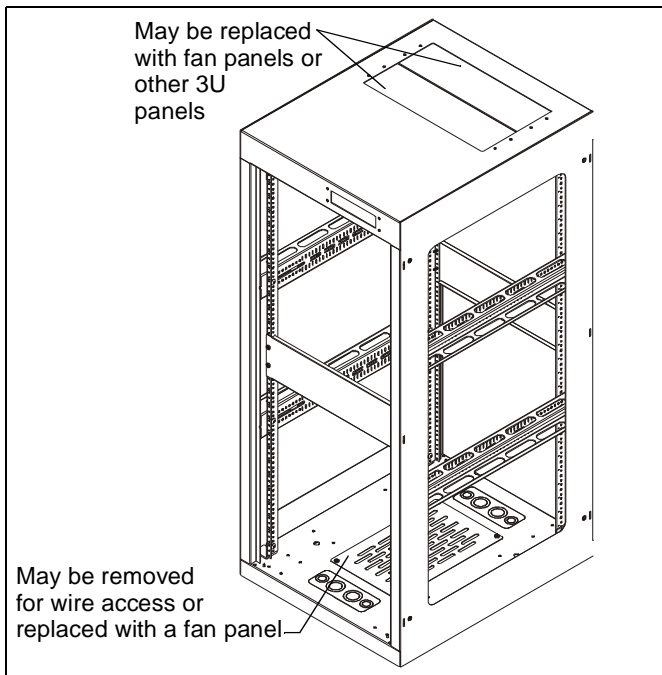


Figure 1

ASSEMBLY

Levelers/Casters

Add optional levelers (not included) or casters (not included) to the rack following instructions included with the levelers or casters.

Connecting (Ganging) Racks

1. Arrange racks next to each other. (See Figure 2)
2. Fasten racks together using 3/8-16 x 5/8" hex head cap screws (B) and 3/8" flat washers (C) through holes and weldnuts in rack side. (See Figure 3)

NOTE: The number of hex head cap screws (B) and flat washers (C) required to fasten racks together varies dependent on the rack model.

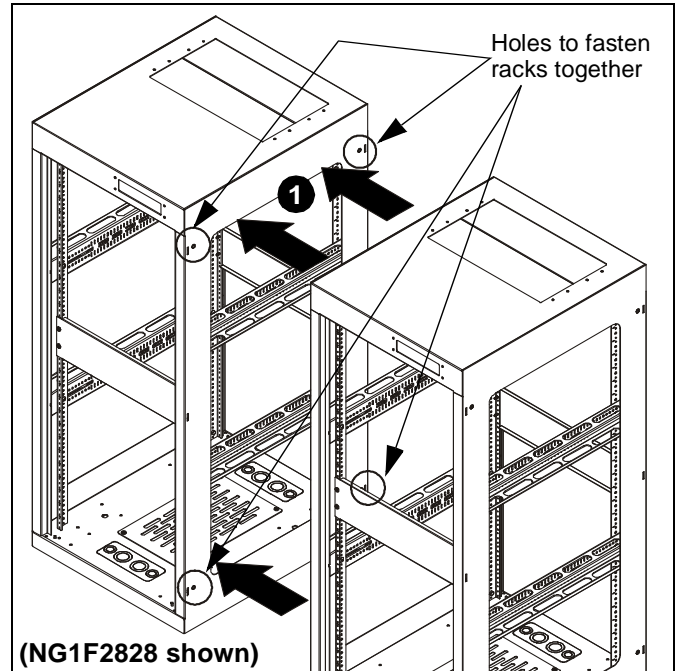


Figure 2

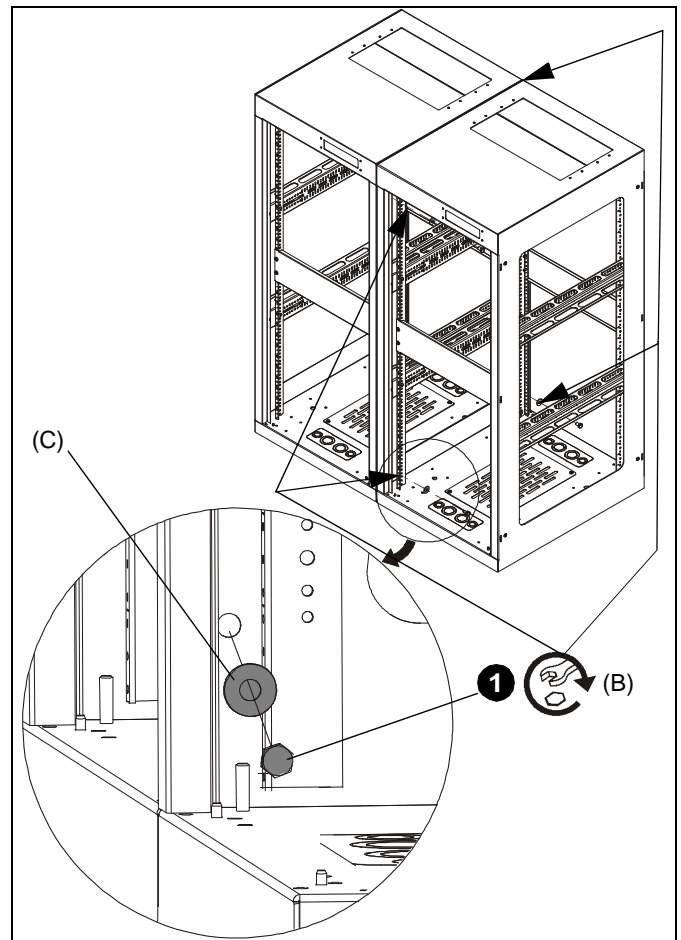


Figure 3

Side Panels

If desired, add optional side panels (not included) to the rack following instructions included with the panel(s).

Doors

Add optional door(s) (not included) to the rack following instructions included with the door(s).

IMPORTANT ! : If the door(s) are to be attached with the pull-ring handle on the right side, the grounding screw, washer and wire already installed on the door must be removed and reinstalled on the opposite end of the door. See instructions included with the door(s).

NOTE: If NOT adding door(s), proceed to Step 6.

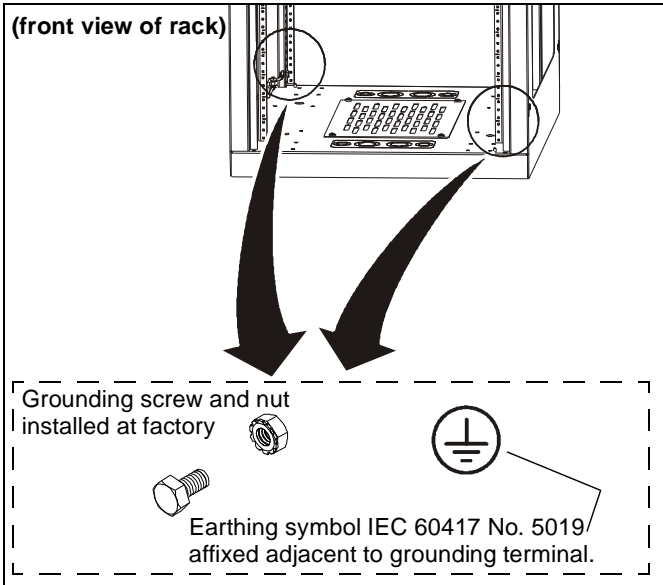


Figure 4

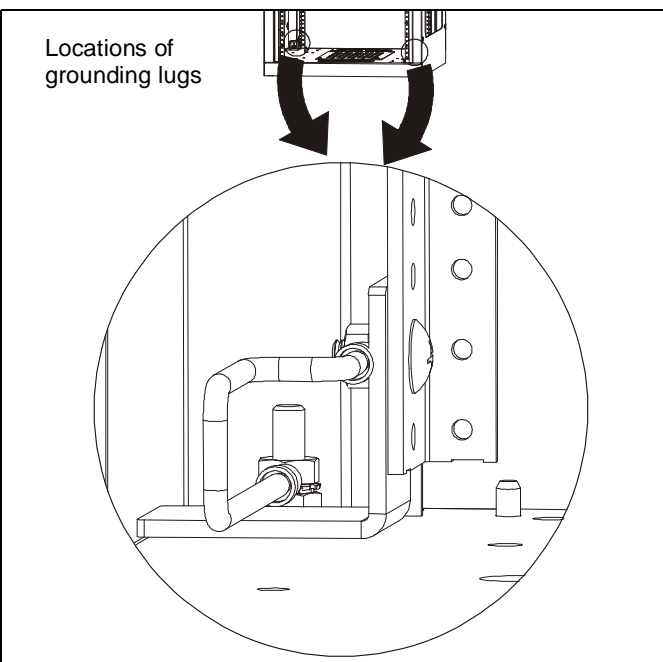


Figure 5

3. Remove and save nut from the grounding lug on side rail. (See Figure 6)
4. Attach grounding wire from door to the grounding lug. (See Figure 6)
5. Replace and tighten nut onto grounding lug. (See Figure 6)

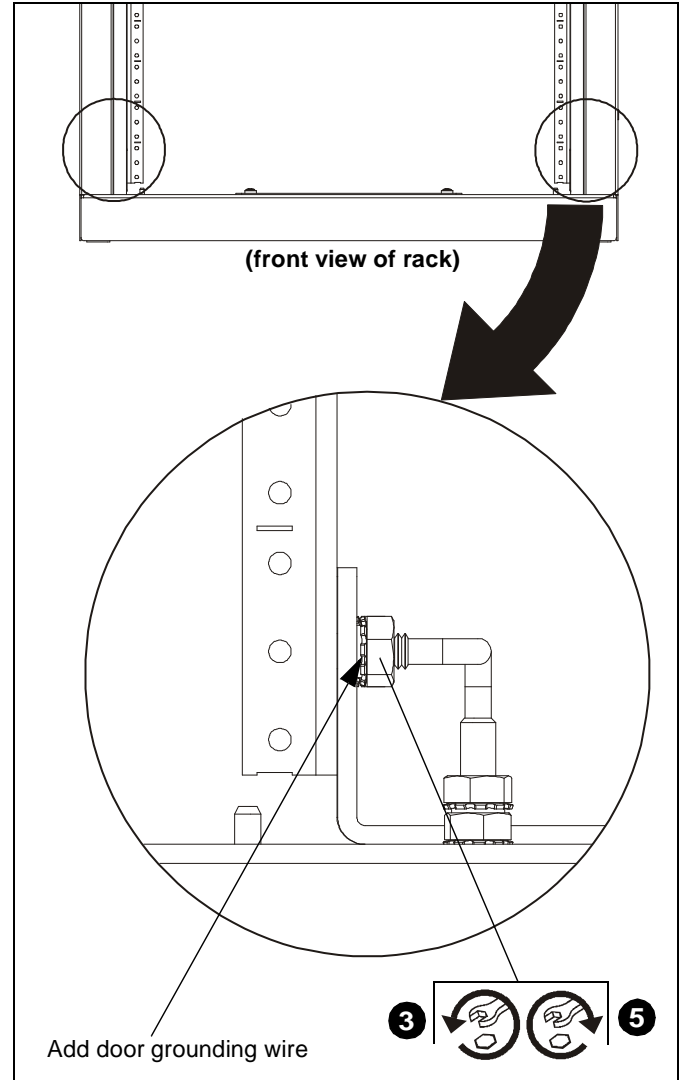


Figure 6

⚠ DANGER: IMPROPER WIRING CAN LEAD TO DEATH OR SEVERE PERSONAL INJURY! Grounding must be installed by qualified personnel using a UL Recognized No. 12AWG Green and Yellow grounding wire connected to grounding lug on rack.

6. Change optional logo panel by removing and saving 4 nuts from studs at inside top of front. (See Figure 7)
7. Remove blank panel and replace with optional personalized logo panel (not included). (See Figure 7)
8. Replace and tighten four nuts removed in Step 6.

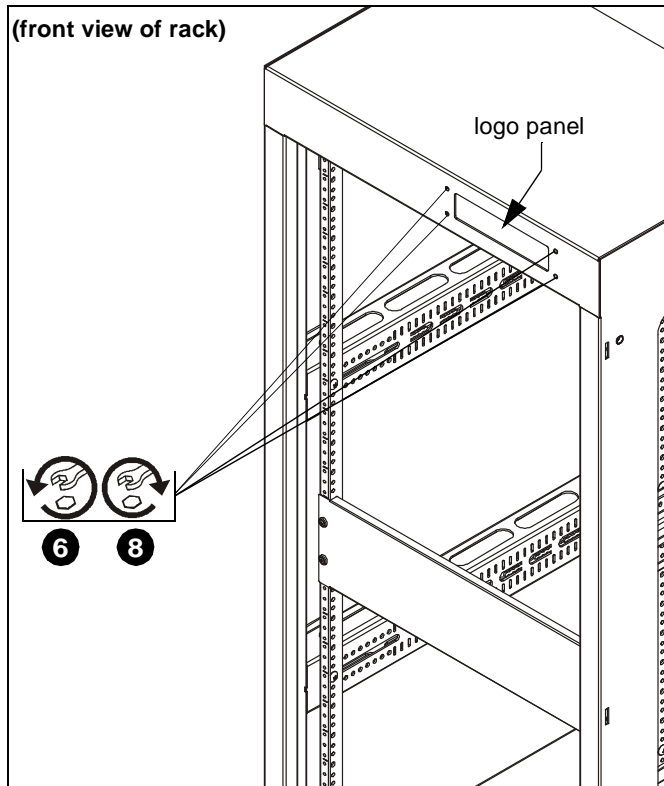


Figure 7

LOADING THE RACK

NOTE: The alignment panels shipped with the racks are optional. They may be removed to facilitate loading of the racks.

Load Distribution



CAUTION: BEGIN PLACEMENT OF LOAD AT BOTTOM OF RACK! Load rack, moving from bottom toward top of rack. Loading rack incorrectly may result in instability causing possibly injury and/or damage to components.

1. Begin placement of components into the rack at the lowest point.
2. Continue placing items into the rack, moving from the bottom upward.



CAUTION: DISTRIBUTE LOAD CORRECTLY! Load rack with 2/3 total weight of components in the lower half of rack. Loading rack incorrectly may result in instability causing possible injury and/or damage to components.



Chief Manufacturing, a products division
of Milestone AV Technologies

8821-002028 Rev00
©2011 Milestone AV Technologies, a
Duchossois Group Company
www.chiefmfg.com
03/11

USA/International	A 8401 Eagle Creek Parkway, Savage, MN 55378 P 800.582.6480 / 952.894.6280 F 877.894.6918 / 952.894.6918
Europe	A Fellenoord 130 5611 ZB EINDHOVEN, The Netherlands P +31 (0)40 2668620 F +31 (0)40 2668615
Asia Pacific	A Office No. 1 on 12/F, Shatin Galleria 18-24 Shan Mei Street Fotan, Shatin, Hong Kong P 852 2145 4099 F 852 2145 4477

