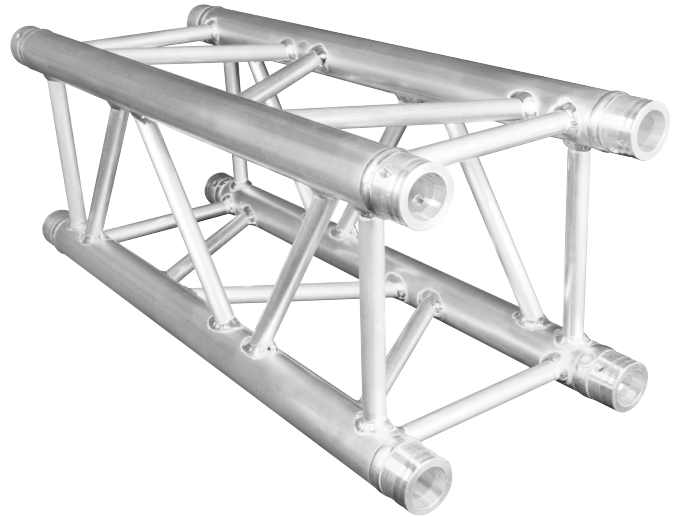


# CT290-407S

## FEATURES

- Manufactured from high-grade and lightweight aluminum which is easy for transportation and setup
- Independently tested and TUV-certified for safety and uniformity
- Carefully crafted by SLV-certified welders
- Compatible with many TRUSST® accessories to create an astonishing and custom presentation
- Available in many lengths for mobile entertainers, productions, nightclubs and retail stores
- Includes connecting hardware



## SPECIFICATIONS

- Length: 2.46 ft (0.75 m)
- Outer diameter tube: 2 in (50 mm)
- Dimensions: 11.42 x 11.42 in (290 x 290 mm)
- Diagonal bracing: 0.75 in (20 mm)
- Wall thickness: 0.08 in (2 mm)
- Weight: 13.9 lb (6.3 kg)
- Approvals: TUV, SLV

## WHAT'S INCLUDED

- (1) CT290-407S
- (1) CT-CONKIT