

Accessory Face Installation Instructions

Models: WDV600(FBT/FIA/CSS) for use on the WDV600 Gas Fireplace

This accessory face kit is designed for use on the WDV600 model fireplace.

Read these instructions thoroughly before beginning installation.

CAUTION: Allow fireplace to cool completely if it has been in operation.

Installation Instructions

1. Arrange face parts face down on a non-damaging surface such as a carpeted floor.
2. Screw face parts together using 8 (eight) of the supplied #8 x 3/8" truss-head screws. (Fig. 1)

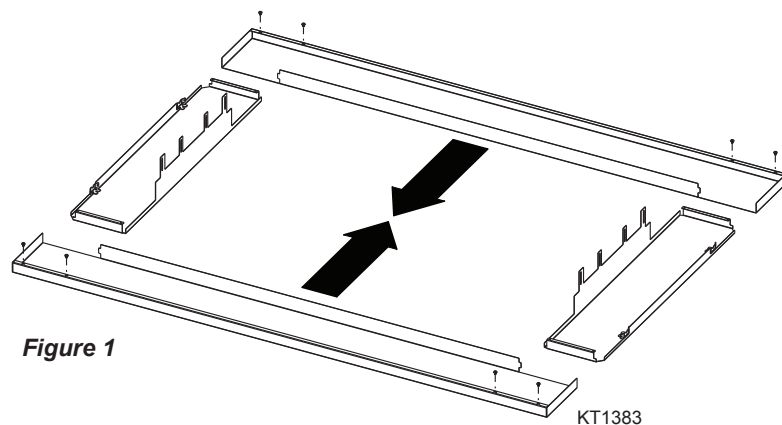


Figure 1

3. Install the supplied #8 x 3/4" screws into the bracket at each corner of the face to eliminate gaps that may be present on the front and sides of the face where parts meet. Tighten slowly only until gap is eliminated. Do not over-tighten. The screw which is perpendicular to the face should always be installed first. (Fig. 2)

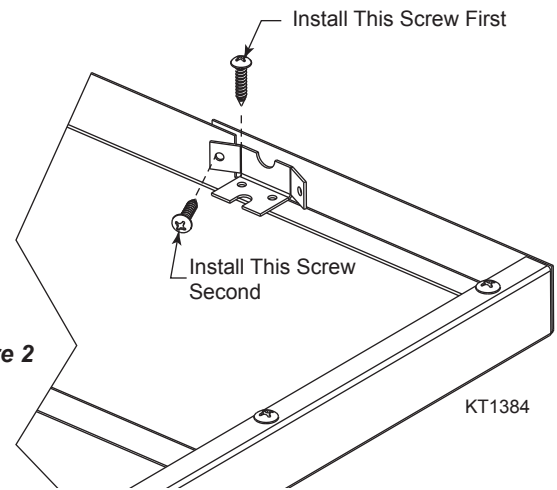


Figure 2

3. Remove glass frame and access panel from fireplace. Refer to Homeowner's Manual.
4. Install face by inserting tabs on face into slots on front of firebox. Secure with four (4) supplied screws on both bottom tabs and both 2nd to top tabs. (Fig. 2)
5. Reinstall original glass frame and the replacement access panel.

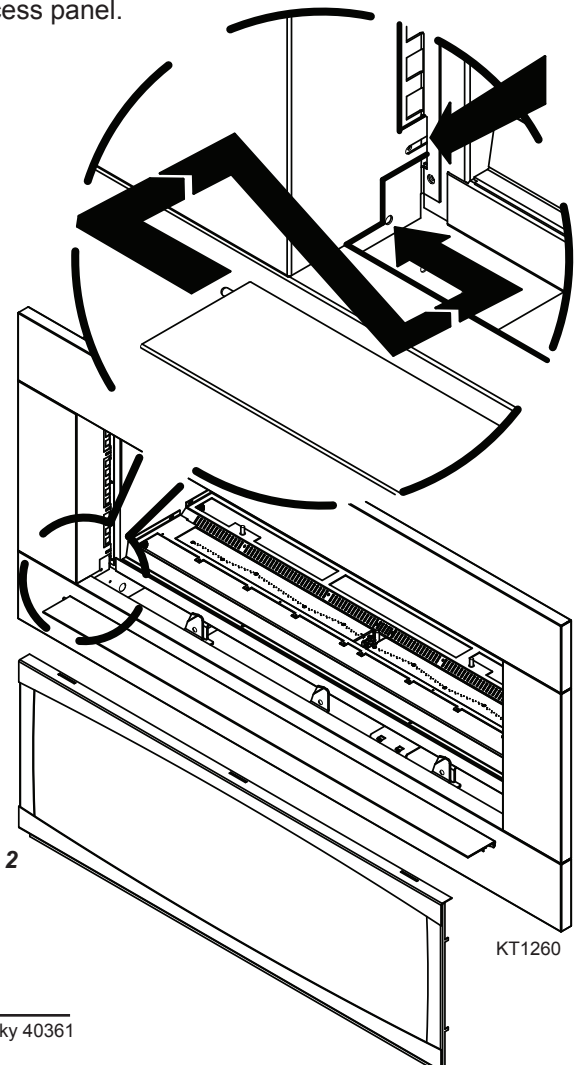


Figure 2

MHSC

149 Cleveland Drive • Paris, Kentucky 40361
www.mhsc.com