

Nexus® Pressure Balance Valve Trim with Diverter

FEATURES

- For use with the TSPV/TSPVR pressure balancing valve
- Lever handles

COLORS/FINISHES

- #CP Polished Chrome
- #BN Brushed Nickel
- #PN Polished Nickel

CODES/STANDARDS

- Meets or exceeds ASME A112.18.1/CSA B125.1, ASSE 1016
- Certifications: IAPMO(cUPC), State of Massachusetts, City of Los Angeles, and others
- Code Compliance: UPC, IPC, NSPC, NPC Canada, and others
- ADA compliant



PRODUCT SPECIFICATION

Pressure balance valve trim shall include diverter.
Trim shall include front seal plate assembly. Pressure balance trim shall be TOTO Model TS794PV____ and required valve shall be TSPV/TSPVR.

TS794PV

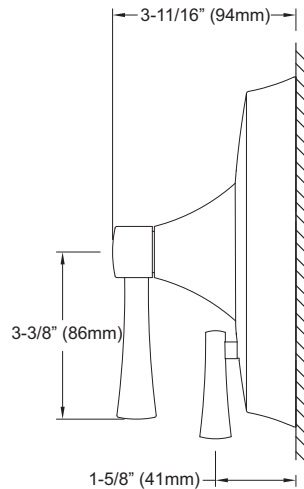
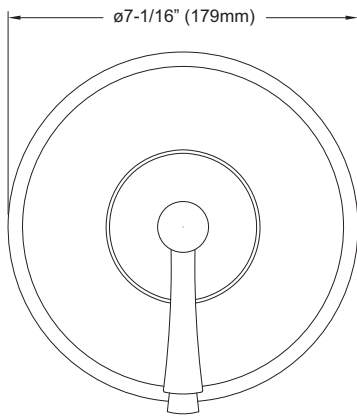
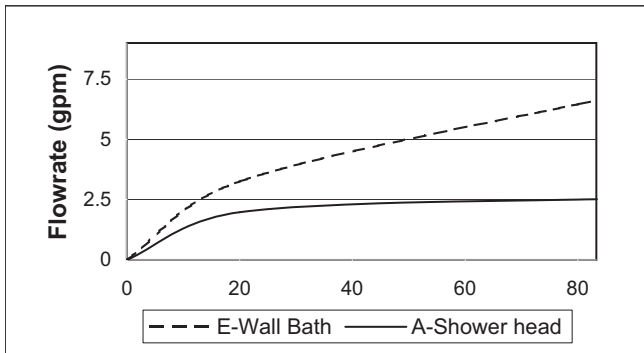
Nexus® Pressure Balance Valve Trim with Diverter

SPECIFICATIONS

- Warranty Lifetime Limited Warranty (Residential Use)
One Year (Commercial Use)
- Material Brass
- Shipping Weight 6.4 lbs.
- Shipping Dimensions 13-3/4" L x 9" W x 4" H

INSTALLATION NOTES

VALVE REQUIRED:
Pressure balancing valve, model TSPV or TSPVR sold separately.



TOTO®

These dimensions and specifications are subject to change without notice