

Nexus® Thermostatic Mixing Valve Trim with Dual Volume Control

FEATURES

- For use with the TSTD/TSTDR SMA thermostatic mixing valve

COLORS/FINISHES

- #CP Polished Chrome
- #BN Brushed Nickel
- #PN Polished Nickel

CODES/STANDARDS

- Meets and exceeds ASME A112.18.1/CSA B125.1, ASSE 1016
- Certifications: IAPMO(cUPC), State of Massachusetts, City of Los Angeles, and others
- Code Compliance: UPC, IPC, NSPC, NPC Canada, and others



PRODUCT SPECIFICATION

Thermostatic mixing valve trim shall include mixing valve and separate dual volume control. Trim shall include front seal plate assembly. Shower trim shall be TOTO Model TS794D____ and required valve shall be TSTD/TSTDR.

TS794D

Nexus® Thermostatic Mixing Valve Trim with Dual Volume Control

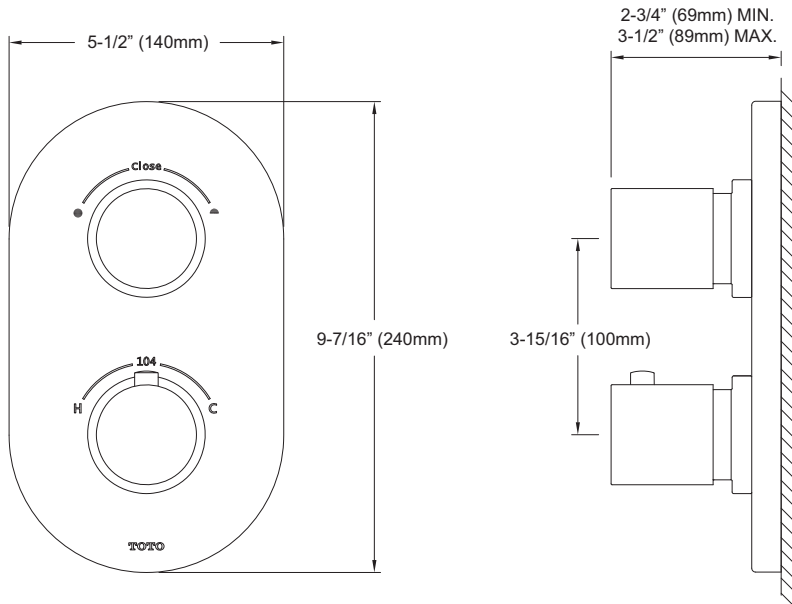
SPECIFICATIONS

- Warranty Lifetime Limited Warranty (Residential Use)
One Year (Commercial Use)
- Material Brass
- Shipping Weight 5.5 lbs.
- Shipping Dimensions 10-3/4" L x 10-3/4" W x 3-1/2" H

INSTALLATION NOTES

VALVE REQUIRED:

SMA thermostatic mixing valve, model TSTD or TSTD R sold separately.



TOTO®

These dimensions and specifications are subject to change without notice