

## Wyeth™ Volume Control Trim

### FEATURES

---

- Lever handle
- Integrated off position
- For use with the Volume Control Valve (TSMA)

### COLORS/FINISHES

---

- #CP Polished Chrome
- #BN Brushed Nickel
- #PN Polished Nickel

### CODES/STANDARDS

---

- Meets or exceeds ASME A112.18.1/CSA B125.1
- Certifications: IAPMO(cUPC), State of Massachusetts and others
- Code Compliance: UPC, IPC, NSPC, NPC Canada, and others
- ADA compliant



### PRODUCT SPECIFICATION

---

Volume control trim shall be TOTO Model TS230C#\_\_\_\_ and required valve shall be TSMA sold separately.



# TS230C

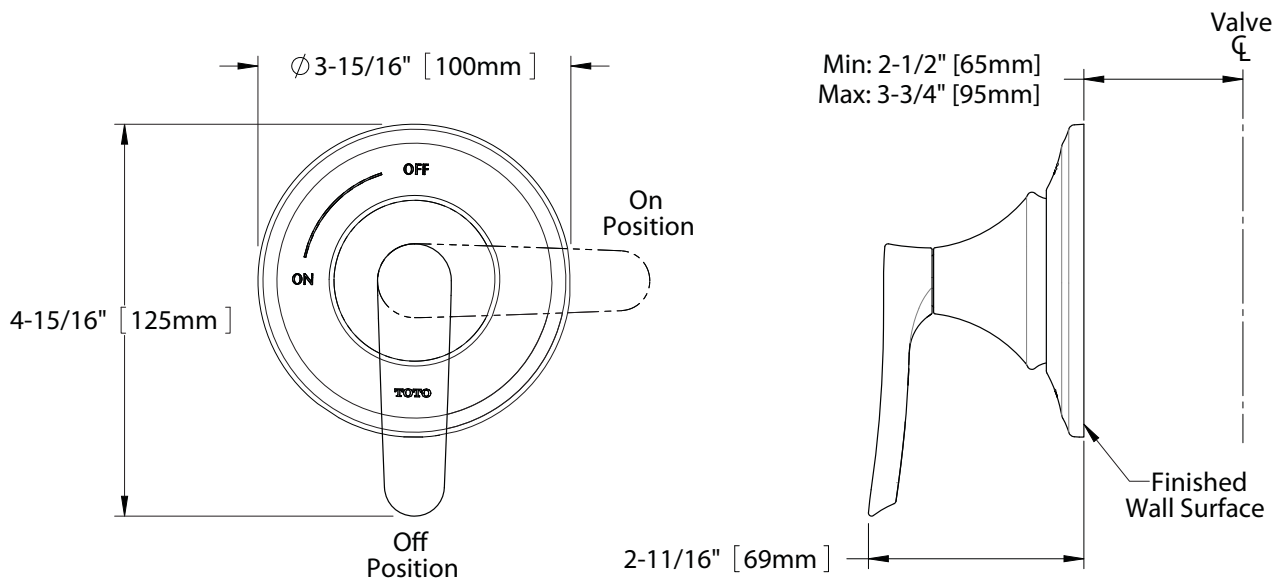
## Wyeth™ Volume Control Trim

### SPECIFICATIONS

- Warranty Lifetime Limited Warranty (Residential Use)  
One Year (Commercial Use)
- Material Brass
- Shipping Weight 1.7 lbs.
- Shipping Dimensions 7"L x 3-1/2"W x 4"H

### INSTALLATION NOTES

**VALVE REQUIRED:**  
Volume control valve model TSMA sold separately.



**TOTO®**

*These dimensions and specifications are subject to change without notice*