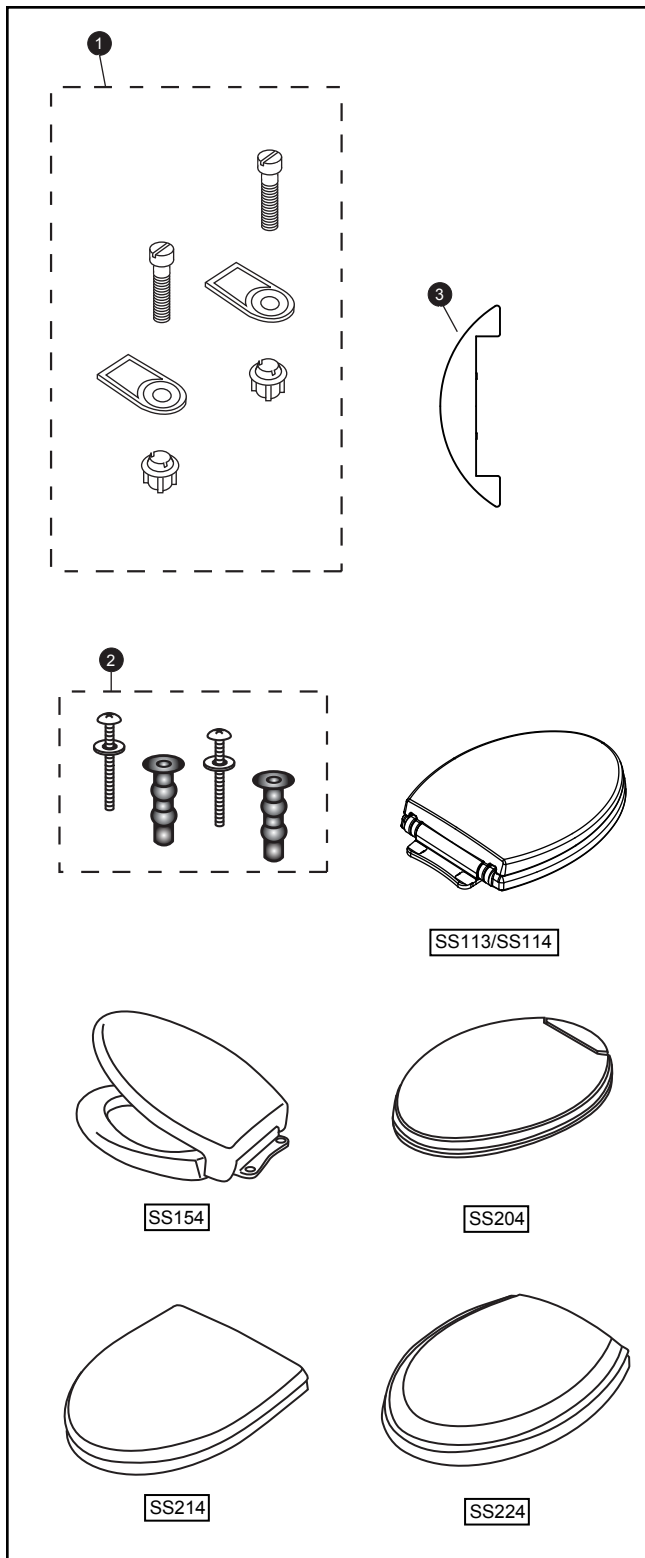


# SS113, SS114, SS154, SS204, SS214 & SS224

SoftClose® Seats



Item	Part	Description
1	THU689	Mounting Hardware Set
2	THU651N	Top Mounting Seat Hardware
3	THU722#01	Back Cover Plate - Cotton
	THU722#03	Back Cover Plate - Bone
	THU722#11	Back Cover Plate - Colonial White
	THU722#12	Back Cover Plate - Sedona Beige
	THU722#51	Back Cover Plate - Ebony

**Note:** THU651N is included with skirted toilets and is sold as a separate item. It is not included with seats.

THU722 is sold for SS204 seats only.

## Product Number Explanations

### Seats

(SS) SoftClose® Seat  
 (113) Round Model  
 (114) Elongated Model  
 (154) Elongated Traditional Model  
 (204) Elongated Oval Model  
 (214) Elongated Sorée® Model  
 (224) Elongated Guinevere® Model

### Colors

(#01) Cotton  
 (#03) Bone  
 (#11) Colonial White  
 (#12) Sedona Beige  
 (#51) Ebony

Actual product may differ slightly from illustration.