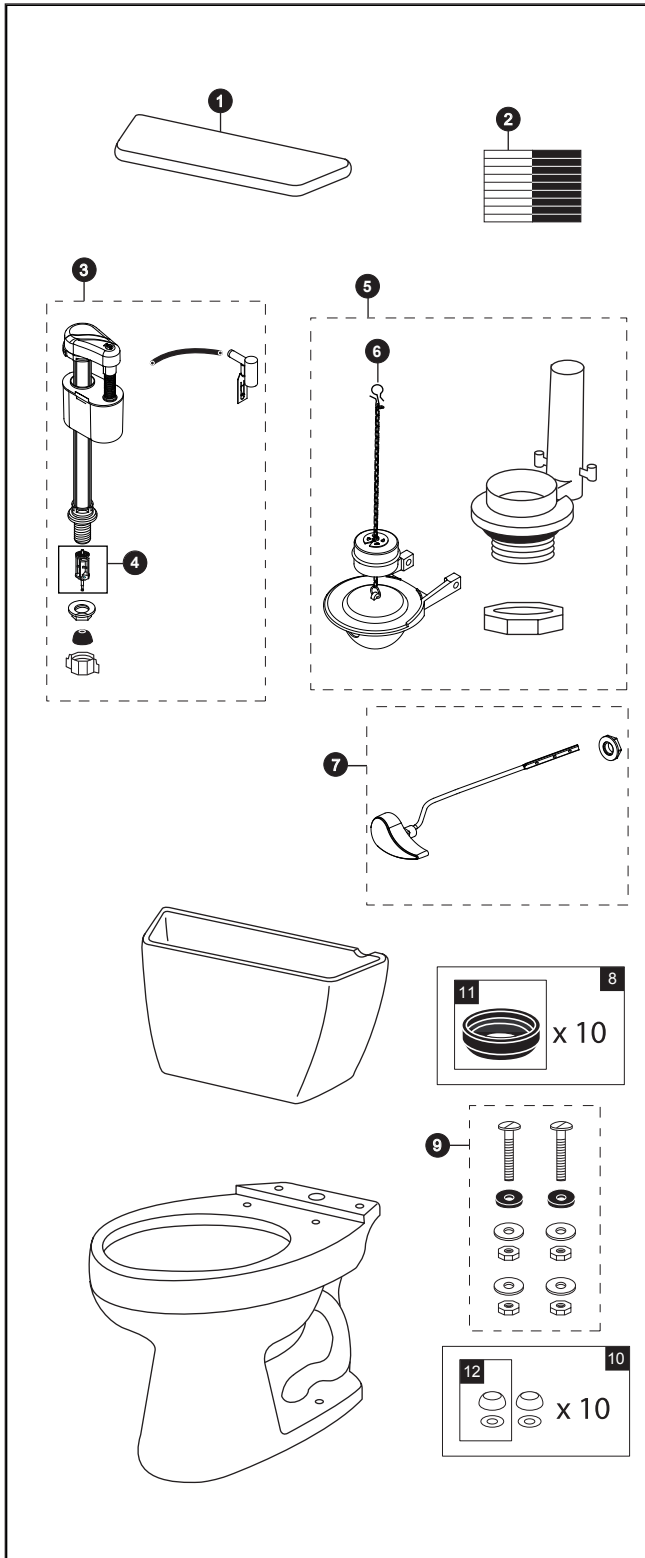


CST744EL

CST744EL
ST743E
C744EL

Drake® 1.28 Gpf Toilet, Elongated, E-Max®, ADA, 12" Rough-In



Actual product may differ slightly from illustration.

| Item | Part | Description |
|------|---|---|
| 1 | TCU743CRE#01 TCU743CRE#03 TCU743CRE#11 TCU743CRE#12 TCU743CRE#51 | Tank Lid w/ Velcro Tape Tank Lid w/ Velcro Tape Tank Lid w/ Velcro Tape Tank Lid w/ Velcro Tape Tank Lid w/ Velcro Tape |
| 2 | THU107 | Velcro Tape |
| 3 | TSU33A | Fill Valve |
| 4 | THU229 | Fill Valve Filter |
| 5 | THU252W-A | Flush Valve Assembly w/Flapper |
| 6 | THU277S | Flapper w/ Float & Chain |
| 7 | THU068#01 THU068#03 THU068#04 THU068#11 THU068#12 THU068#51 THU068#BN THU068#CP THU068#PN | Trip Lever Trip Lever Trip Lever Trip Lever Trip Lever Trip Lever Trip Lever Trip Lever Trip Lever |
| 8 | THU131 | Tank to Bowl Gaskets (for 10 toilets) |
| 9 | TSU01D | Tank Mounting Kit |
| 10 | THU098#01 THU098#03 THU098#51 | Bolt Cap Sets (for 10 toilets) for #01 & #11 Bolt Cap Sets (for 10 toilets) for #03 & #12 Bolt Cap Sets (for 10 toilets) |
| 11 | 9BU024E | 3" Tank to Bowl Gaskets (for 10 toilets) |
| 12 | THU044#01 THU044#03 THU044#51 | Bolt Cap Sets (for 10 toilets) for #01 & #11 Bolt Cap Sets (for 10 toilets) for #03 & #12 Bolt Cap Sets (for 10 toilets) |

Product Number Explanations

Two-Piece Toilet

(CST) Gravity Type Toilet
(744) Model
(E) E-Max®
(L) ADA Compliant

Tank

(ST) Tank
(743) Model

Bowl

(C) Bowl
(744) Model
(E) E-Max®
(L) ADA Compliant

Colors

(#01) Cotton
(#03) Bone
(#11) Colonial White
(#12) Sedona Beige
(#51) Ebony

Finishes

(#BN) Brushed Nickel
(#CP) Chrome Plated
(#PN) Polished Nickel