



Sh 1

SOUTHERN ENTERPRISES INC.

NOTE... This product has been engineered for easy assembly and constructed for durability. Now please take time to read through and follow assembly instructions.

DOME BAKERS RACK W/ PLAIN SIDE  
 STYLE NO. BE4650  
 LOT NO. 781-2206

**HARDWARE LIST**

(1) LARGE BOLT	13PCS	(2) SMALL BOLT	8PCS
(3) WOOD SCREW	4PCS	(4) BOTTOM END CAP	4PCS
(5) WRENCH	1PC		

**PARTS LIST**

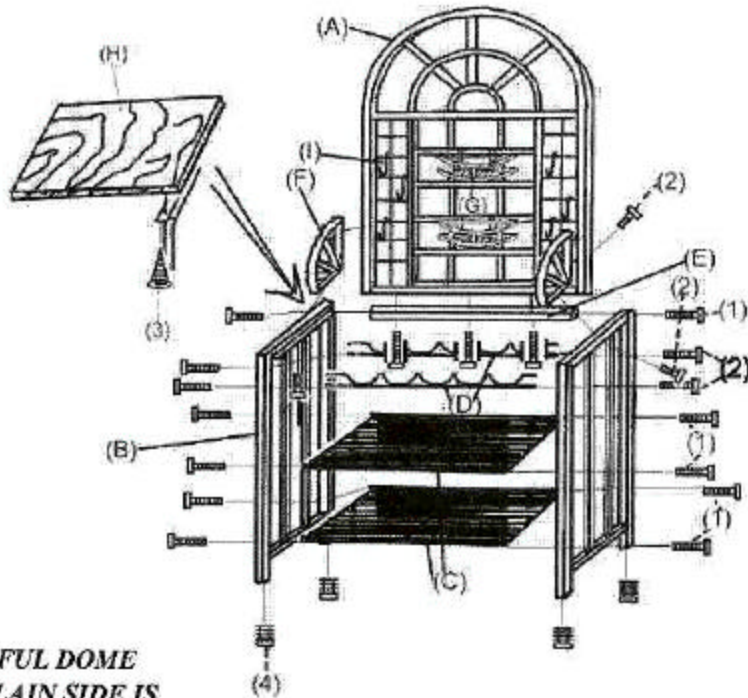
(A)  BACK FRAME 1PC	(B)  SIDE FRAME 2PCS	(C)  WIRE SHELF 2PCS
(D)  WAVE FRAME 2PCS	(E)  STRAIGHT TUBE 1PC	(F)  FAN-SHAPED FRAME 2PCS
(G)  BASKETS FRAME 2PCS	(H)  WOOD SHELF 1PC	(I)  HOOK 6PCS

Please count, identify and compare parts and hardware list to be sure all parts are present. You will also need a Phillips screwdriver, which is not included. Extra hardware may be included. If any items are missing, please contact our parts/ service department at (800) 633-5096 or in Dallas (972) 869-0111. Missing or damaged hardware and/ or parts will be replaced free of charge.

Style No. BE4650	<b>PARTS REPLACEMENT FORM</b>		
Customer Name	PARTS	PART	QUANTITY
_____	LETTER	DESCRIPTION	NEEDED
Street, City, State, Zip	_____	_____	_____
_____	_____	_____	_____
_____	_____	_____	_____
 SOUTHERN ENTERPRISES INC. P.O. Box 59906 Dallas, Texas 75229	Please indicate where you purchased this item.		
	_____		
	Please indicate color/ sizes/ style number.		
_____			

## ASSEMBLY INSTRUCTION

- STEP 1.** ATTACH BACK FRAME (A) AND STRAIGHT TUBE (E), INSERT LARGE BOLT THROUGH STRAIGHT TUBE INTO BACK FRAME, THEN TIGHTEN.
- STEP 2.** ATTACH SIDE FRAME (B), SNAP BOTTOM END CAP (5) TO THE BOTTOM OF SIDE FRAME (B), THEN SCREWING SIDE FRAME AND STRAIGHT TUBE (E) W/ LARGE BOLT (1).
- STEP 3.** ATTACH FAN-SHAPED FRAME (F), SCREWING FAN-SHAPED FRAME AND BACK FRAME (A) W/ MEDIUM BOLT (2), THEN SCREWING FAN-SHAPED FRAME AND SIDE FRAME (B) W/ MEDIUM BOLT (2).
- STEP 4.** ATTACH WIRE SHELF (C), INSERT LARGE BOLT(1) THROUGH SIDE FRAME (B) INTO WIRE SHELF, THEN ATTACH WAVE FRAME (D), INSERT SMALL BOLT (3) THROUGH SIDE FRAME (B) INTO WAVE FRAME, THEN TIGHTEN.
- STEP 5.** ATTACH WOOD SHELF (H), SCREWING WOOD SHELF AND SIDE FRAME(B) W/ WOOD SCREW (4). TIGHTEN.
- STEP 6.** PLACE THE BASKETS FRAME (G) AND HOOKS (I) ON BACK FRAME (A).



***YOUR BEAUTIFUL DOME  
BAKERS RACK W/ PLAIN SIDE IS  
FINISHED AND READY TO USE.***

THIS PRODUCT IS NOT RECOMMENDED FOR CHILDREN UNDER 12 YEARS OF AGE.

**CEI**