

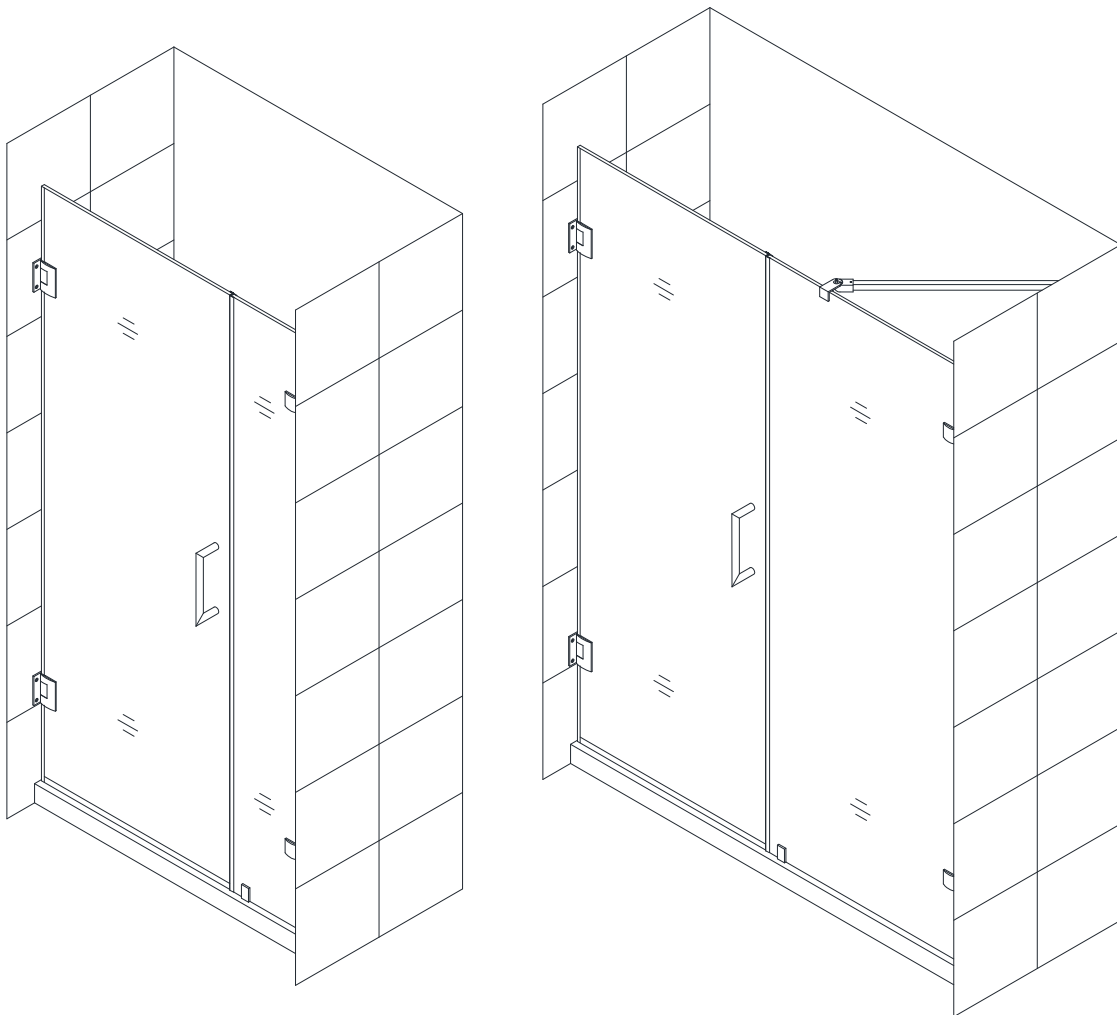


## RADIANCE

### SHOWER DOOR INSTALLATION INSTRUCTIONS

#### **IMPORTANT!**

DreamLine™ reserves the right to alter, modify or redesign products at any time without prior notice. For the latest up-to-date technical drawings, manuals or any other details please refer to the [support.BathAuthority.com](http://support.BathAuthority.com) web page.



Please read these instructions carefully before installing. If you have any questions regarding installation, please call our technical support specialists Monday through Friday 9:00 AM – 5:00 PM EST at Phone: [1-866-731-2244](tel:1-866-731-2244), Fax: [1-866-227-1533](tel:1-866-227-1533) or e-mail our technical support group at [support@BathAuthority.com](mailto:support@BathAuthority.com).

For more information on [DreamLine™ Shower Doors](http://www.BathAuthority.com) please visit [www.BathAuthority.com](http://www.BathAuthority.com)

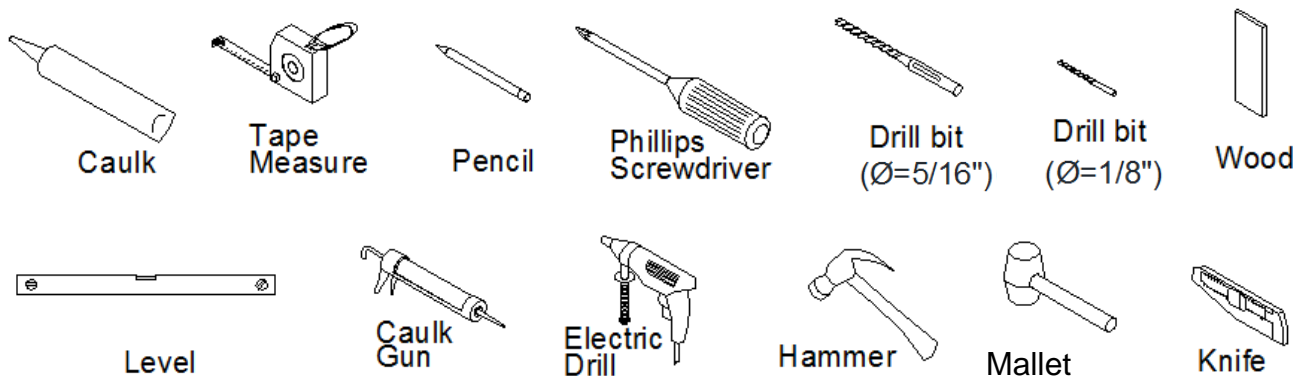
## Preparation

1. After opening all boxes and packages, read this introduction carefully. Check that all of the needed parts are included in the package by marking all the components on the "Detailed Diagram of Shower Door Components". Examine boxes and packages for shipping damage. If the unit has been damaged, has a finishing defect, or has missing parts, please contact our customer support department within 5 business days of the delivery date. Please note that **DreamLine™ will not replace any damaged products or missing parts free of charge after 5 business days or if the product has been installed.** Feel free to contact DreamLine™ if you have any questions.
2. **Please note that you should consult your local building codes with questions on installation compliance standards. Building and plumbing codes may vary by location, and DreamLine is not responsible for code compliance standards for your project and will not accept any returns.**
3. Prior to the installation, please ensure that the installation surface is level and solid and will be able to support the total weight of the unit. Also make sure that the walls are plumb. Depending on the type of unit you are installing, some adjustments in leveling may be possible. However, irregular installation, surface level or out of square conditions can result in serious problems for your installation. Please note that some adjustments and drilling may be necessary. Please protect all primary surfaces of the product during installation. **Never set your glass down directly onto a tile floor.** Always use a piece of wood or cardboard to protect the bottom edge and corners of the glass.

## PLEASE, NOTE!

**This door does not have out-of-plumb adjustment. Make sure your walls are vertical and your shower base or threshold is leveled.**

## Tools Required



## Detailed Diagrams of Shower Door Components

Diagram A

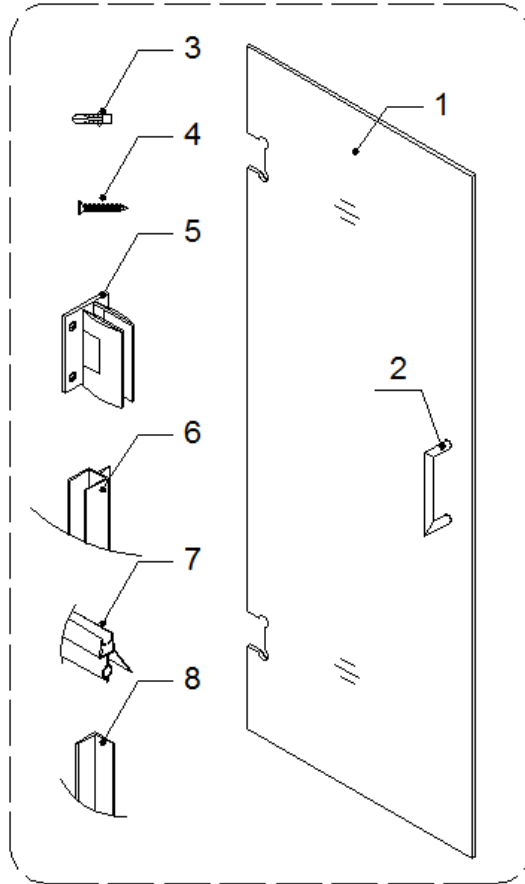
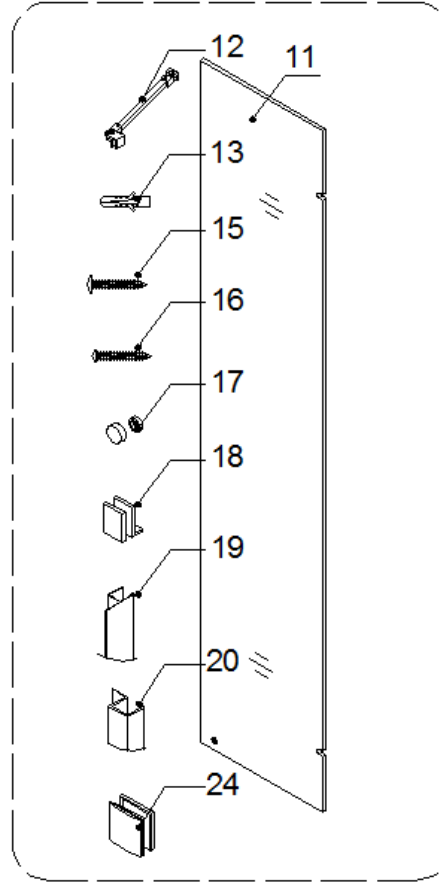


Diagram B



**\*ATTENTION:** All parts that marked with the star (\*), not provided with 6" Stationary panel.

### Packing List A

01	Glass door	1pc	05	Hinge	2pcs
02	Handle	1pc	06	Side strip (3 sections to cut)	1pc
03	Wall anchor	8pcs	07	Bottom anti-water strip	1pc
04	Countersunk screw ST5×70	8pcs	08	L-shaped strip (no use)	1pc

### Packing List B

11	Stationary glass	1pc	17	Decorative cover	1pc
12	Support bar	1pc*	18	Bottom bracket	1pc
13	Wall anchor	2pcs+1pc*	19	Anti-water strip (Door)	1pc
15	Big flat head screw ST4.2×55	2pcs+1pc*	20	Side anti-water strip (Enclosure)	1pc
16	Round head screw ST4.2×35	1pc	24	Glass bracket	2pcs

**NOTE:** Unpack your unit carefully and inspect it. Lay it out and identify all parts using the detailed diagram and packing list in your manual as a reference. Before discarding the carton, check for small hardware bags that tend to fall to the bottom of the box. If any parts are damaged or missing, please contact DreamLine™ for replacement.

**NOTE:** Retain these installation instructions for future reference.

# Shower Door Installation

1. Attach the **Hinges (05)** to the **Glass door (01)**.

See Fig.1 for details.

**ATTENTION:**

**Never set your glass down directly onto a tile or concrete floor.**

Always use a piece of wood or cardboard and leave the corner pads on the glass until it becomes necessary to remove them to protect the bottom edge and the corners of the glass from breakage.

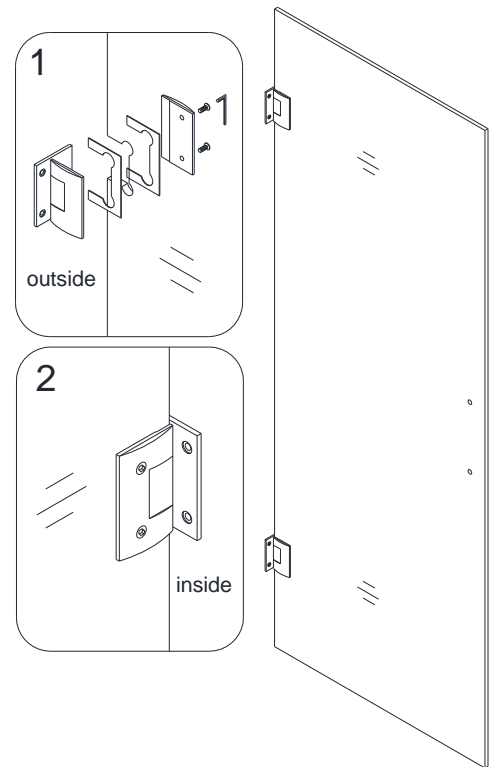


Fig. 1

2. Place a piece of flat timber (5/8" thick) on the threshold or the shower base. Remove the corner pads from the **Glass door (01)**. Place the **Glass door** on the flat timber. Carefully butt up the door with hinged side against the wall, adjust its position and level it vertically.

**ATTENTION:**

**Please check with a level and be sure that the door is absolutely plumb.**

See Fig. 2 for details.

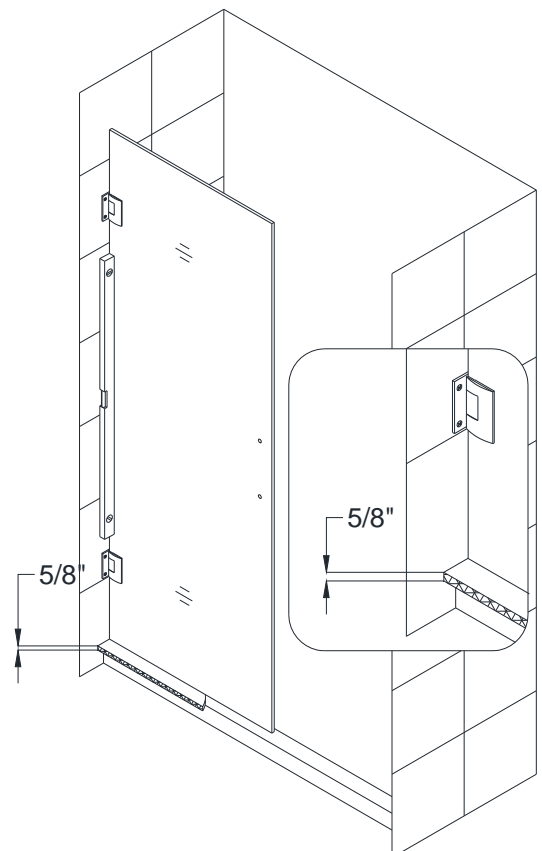


Fig.2

3. Hold the door in place and mark the drill holes for both **Hinges (05)** on the wall. Set the door aside, drill the holes in the wall using **Ø 5/16"** drill bit, and insert the **Wall Anchors (03)**.

Place the **Glass door (01)** back on the flat timber and attach both hinges to the wall with only two **Countersunk screws ST5×70 (04)** on the hinge from outside of the shower.

See Fig. 3 and Fig. 4 for details.

**PLEASE NOTE:**

**The manufacturer strongly recommends to attach this heavy door to the studs or to preinstalled 2 × 6 wood reinforcement behind the wall.**

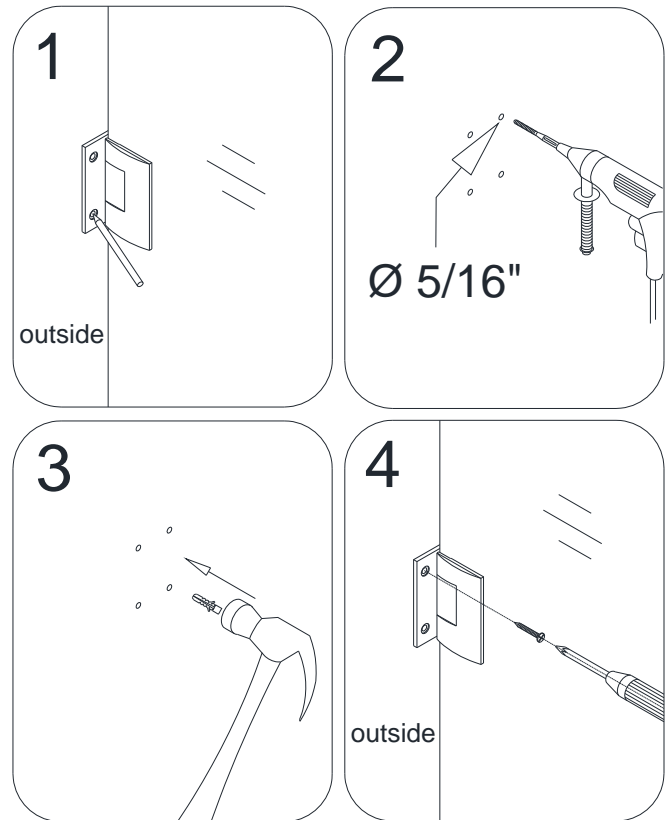


Fig.3

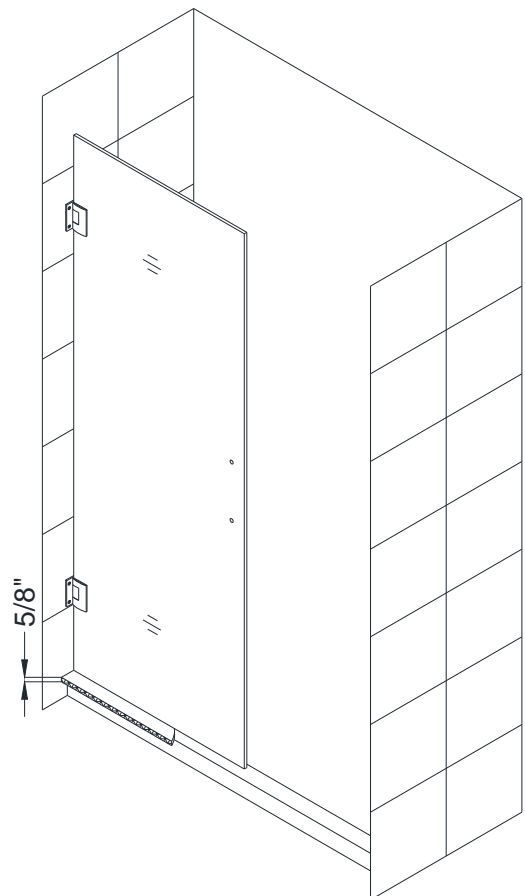


Fig.4

**ATTENTION**

Back plate of the hinge from inside the shower locates too close to the drilled holes in the wall and might get scratched with the long screws or screwdriver.

**(OPTIONAL)**

- 4. Carefully remove back plates from the **Hinges (05)** and set the **Glass door (01)** aside.

Screw in rest of the **Countersunk screws ST5 x 70 (04)** into the wall, place the **Glass door** back to its position and reassemble the **Hinges**.

See Fig. 5 and Fig. 6 for details.

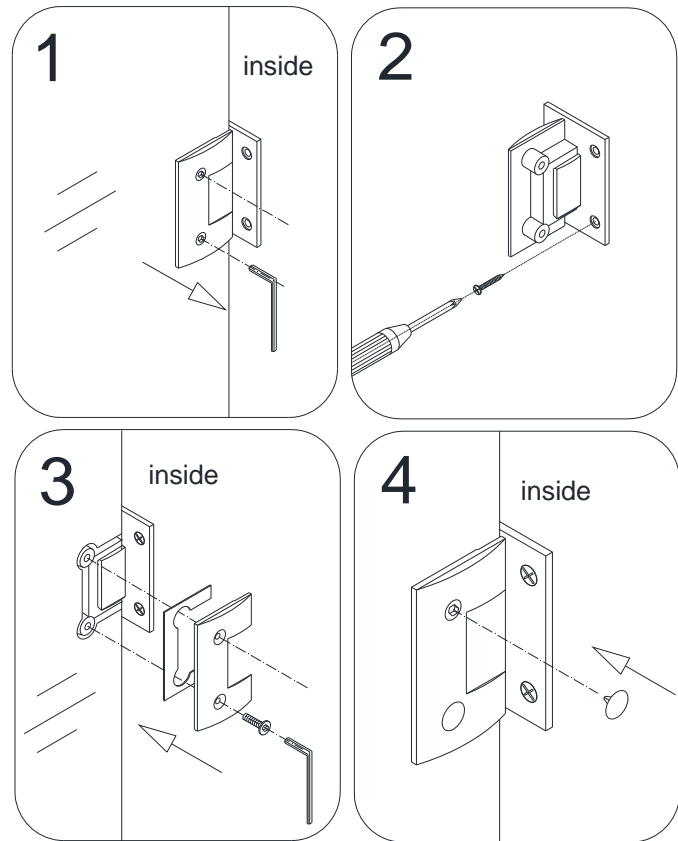


Fig.5

- 5. Mount the **Handle (02)** to the **Glass door (01)**.

See Fig. 6 for details.

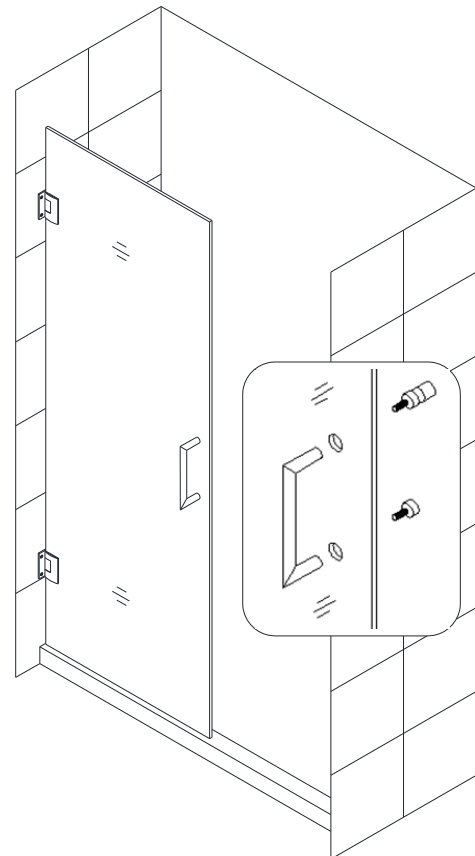


Fig.6

6. Mount the two **Wall bracket (24)** through the notches on the **Stationary glass (11)**. Press the **Anti-water strip (19)** onto the vertical edge of the **Stationary glass**.

See Fig. 7 for details.

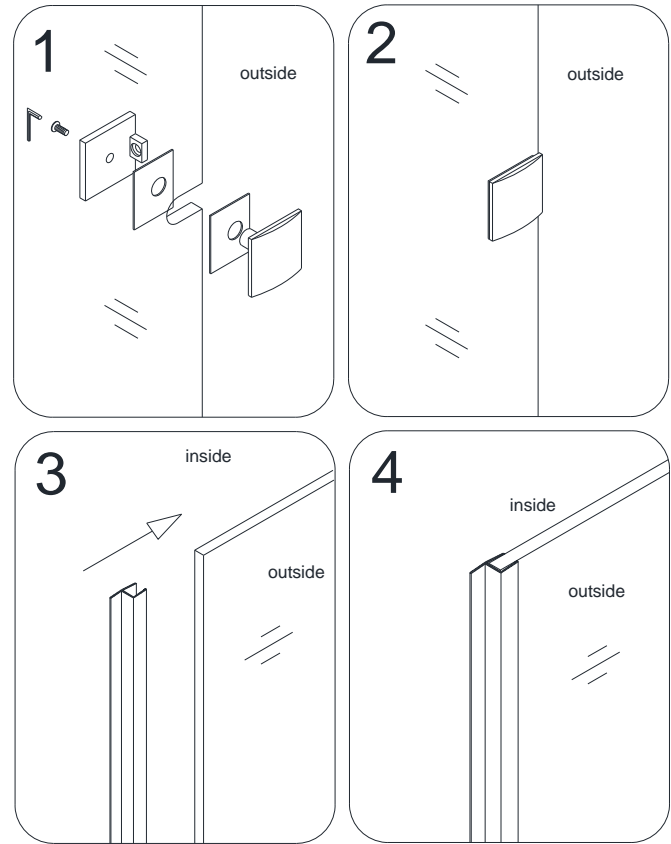


Fig.7

7. Carefully butt the **Stationary glass (11)** up against the wall vertically.

See Fig. 8 for details.

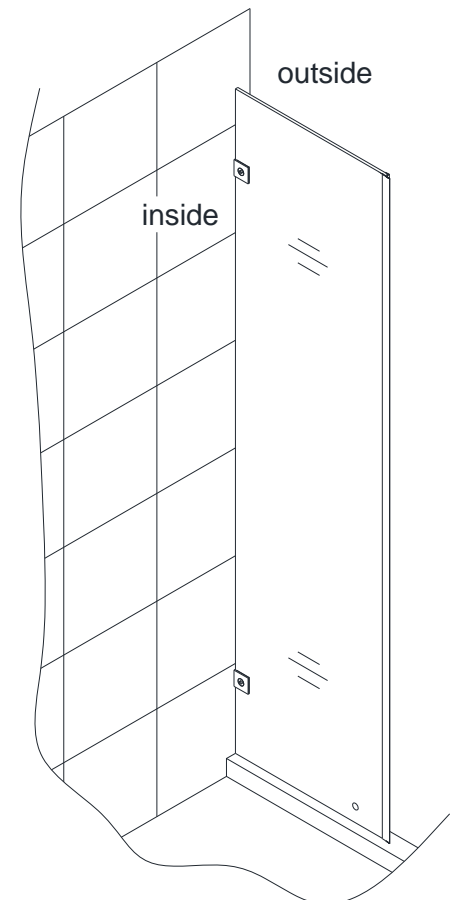


Fig.8

8. While securely holding the **Stationary glass (11)**, close the **Glass Door (01)** and align the **Stationary glass** to it. If needed, adjust the position of the **Stationary glass** to make sure the **Anti-Water strip (19)** makes tight contact to the **Glass Door** from top to bottom. Outline the position of the **Wall brackets (24)** on the wall from inside the shower.

See Fig. 9 for details.

**PLEASE NOTE:**

**The top of the Stationary glass must be leveled with the top of the Glass door.**

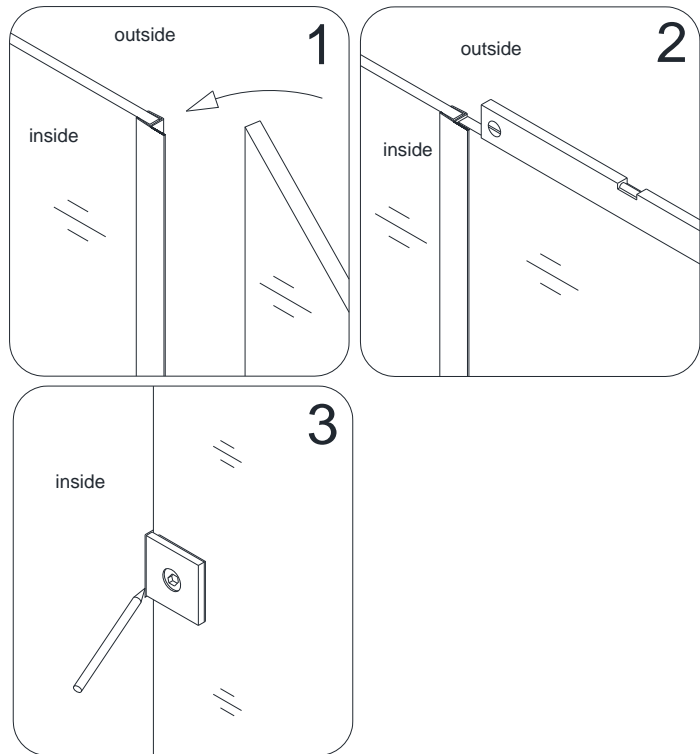


Fig.9

9. Open the **Glass Door (01)** and carefully set the **Stationary glass (11)** aside. Remove the **Wall brackets (24)** from the **Stationary glass** and replace it to the outlined position to mark the hole on the wall. Drill the hole using a **Ø 5/16"** drill bit, insert the **Wall anchor (13)** and fasten the **Wall brackets** to the wall with the **Round head screws ST4.2×55 (15)**.

See Fig. 10 for details.

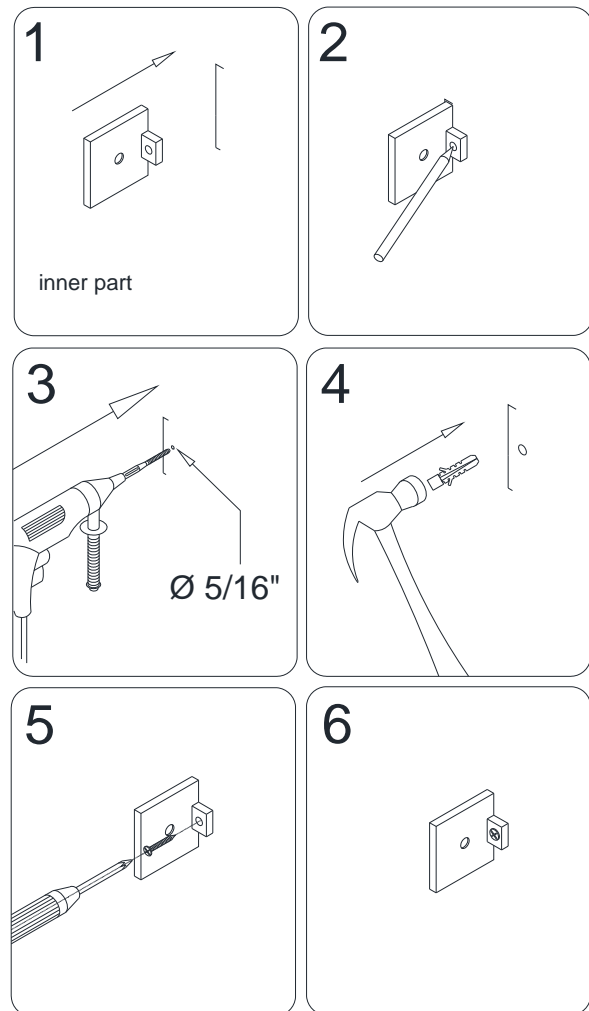


Fig.10



10. Place **Stationary Glass (11)** back into position and tighten it up to the **Wall Bracket (24)**.

See Fig. 11 for details.

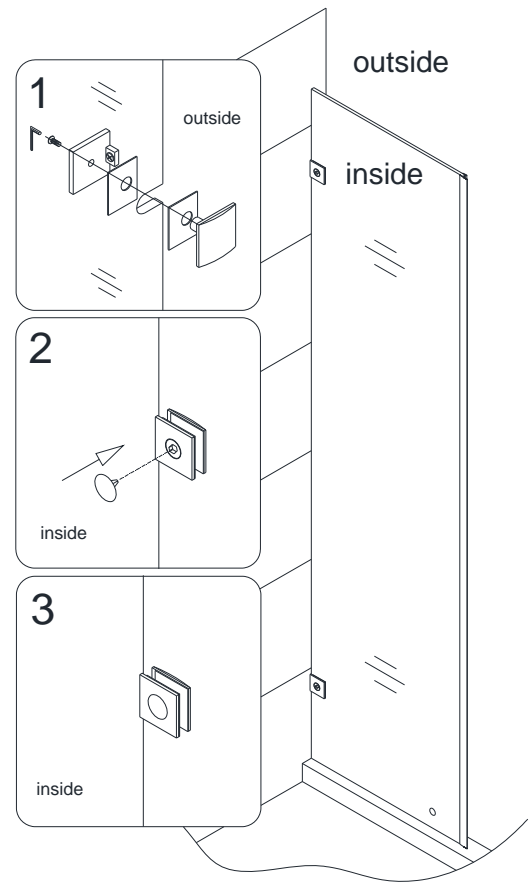


Fig.11

11. To adjust and secure the **Stationary Glass (11)** in place, install the **Bottom Bracket (18)** to the **Stationary glass**;

Drill the hole into the shower base or the threshold through oval notched hole in the **Bottom bracket** using  $\text{Ø } 1/8''$  drill bit.

Use the **Round head screws ST4.2x35 (16)** to attach the **Bottom Bracket** to the shower base or the threshold. Cover the screw head with **Decorative screw (17)**.

See Fig. 12 for details.

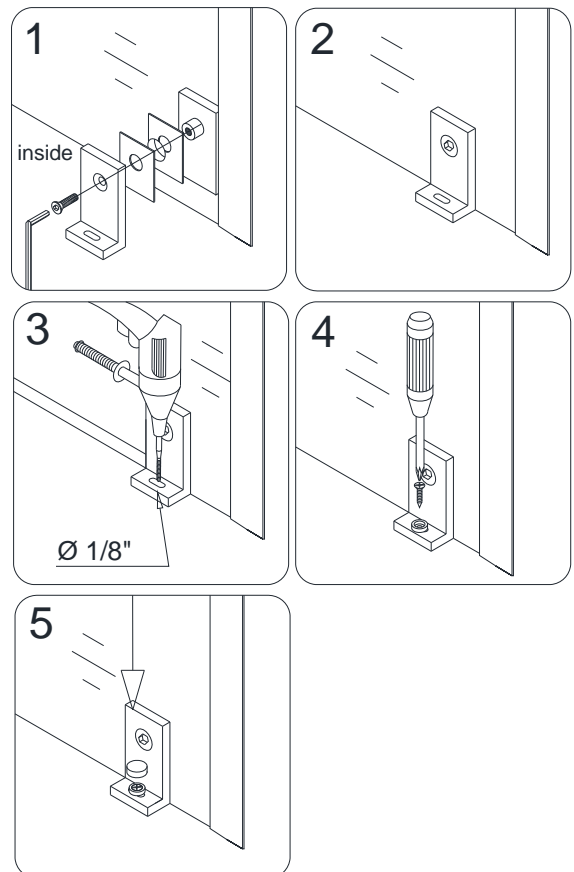


Fig.12

**ATTENTION:**

If width of the **Stationary glass (11)** is 12" and over, **Support bar (12)** must be installed for stability.

12. Locate the **Support bar\* (12)**.

Adjust the **Support bar\*** to a proper position on the **Stationary glass (11)** and the wall. Level it horizontally. Hold it firmly and outline the bracket's position on the wall. Remove the **Support bar\*** and detach the wall bracket from it. Place the bracket against its outlined position on the wall and mark the drilling hole.

Drill the hole using  $\varnothing 5/16''$  drill bit; Insert the **Wall anchor\* (13)** and fasten the bracket to the wall with the **Screw ST4.2 x 55\* (15)**. Attach the **Support bar\*** to the wall and the **Stationary glass** (with gasket in place) as shown on Fig 13.5 and tighten the set screws and the glass holding screw to secure the glass.

See Fig. 13 for details.

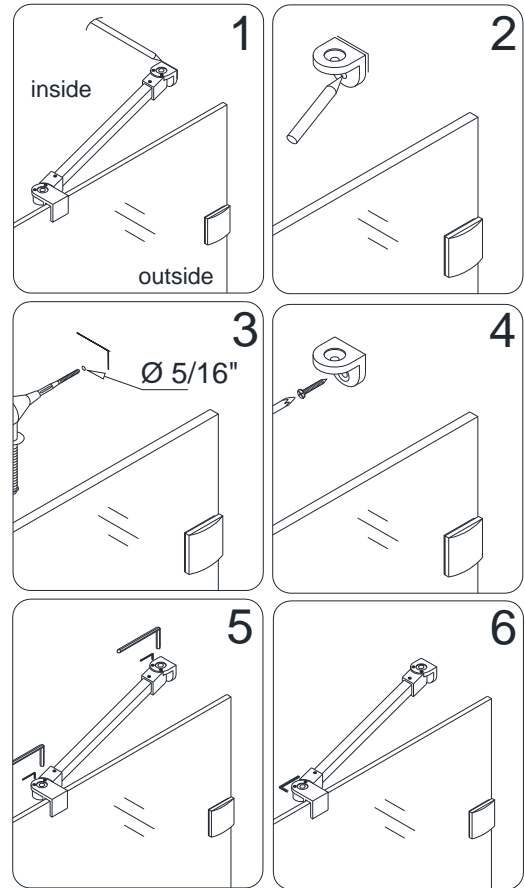


Fig.13

13. Get three measurements:

- from the top edge of the **Glass door (01)** to the upper body of the top **Hinge (05)**;
- from the lower body of the upper **Hinge** to the upper body of the bottom **Hinge**;
- from the lower body of the bottom **Hinge** to 1/16" above the shower base.

Cut the **Side strip (06)** according to the measurements.

Notch the cut strips to be able to slide them into the **Hinge** to cover the space to the wall.

Remove the timber plate, fully open the **Glass door** and press the cut strips on the vertical edge of the **Glass door**.

See Fig. 14 for details.

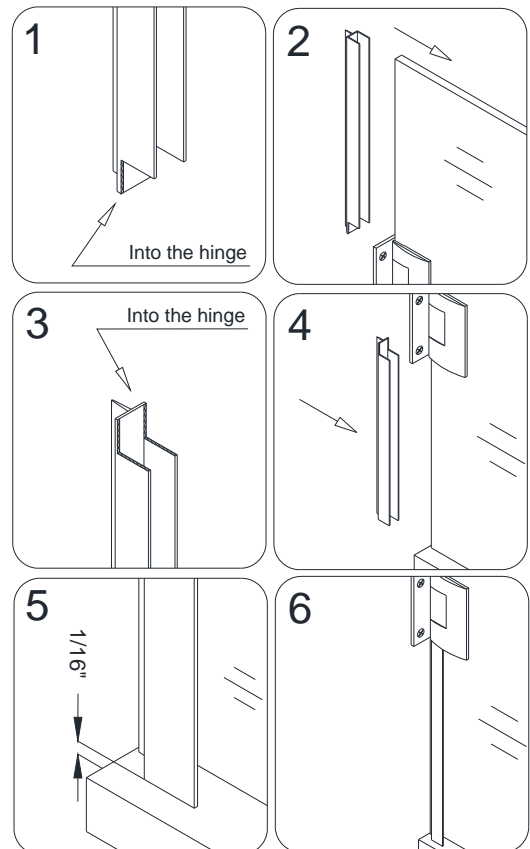


Fig.14

14. Measure the bottom of the **Glass door (01)** from the **Side strip (06)** to the vertical edge on the **Handle (02)** side. Cut the **Bottom anti-water strip (07)** to the size of your measurement and notch  $3/8''$  of the inner side of the **Bottom anti-water strip**.

**NOTICE:**

Make sure the **Handle** side of the **Glass door** tight to the **Anti-water strip (07)** along the vertical edge when the door is shut.

See Fig. 15 for details.

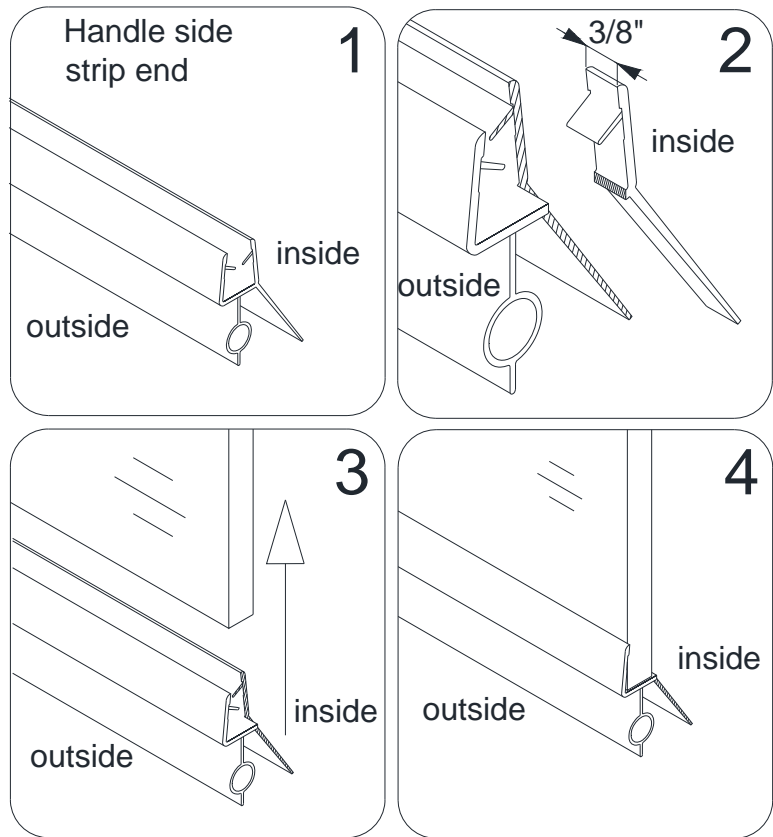


Fig.15

15. Run a strip of masking/painter's tape along the connection of the **Stationary glass** with the wall and the Shower base or threshold for an accurate job, leaving a gap of about  $1/16''$ .

Apply a bead of Kitchen & Bath Waterproof silicone along the interior perimeter, run a wet finger along the line of sealant and remove the tape.

Let the silicone cure according its direction

See Fig. 16 for details.

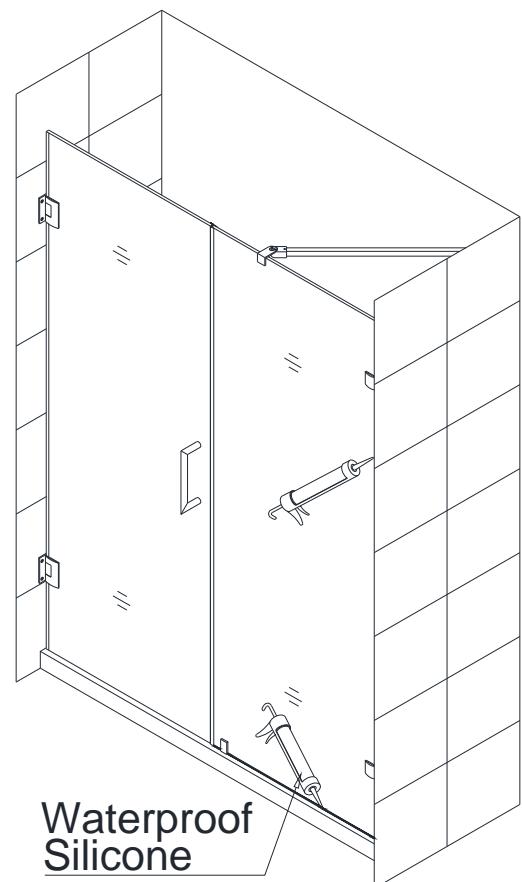


Fig.16

## **Maintenance**

To insure long lasting life for your acrylic back walls, wipe them off after each use with a soft cloth. To clean the acrylic back walls use non-abrasive sprays or cream based cleaners. Never use abrasive cleansers, metal brushes or scrapers that could scratch or dull the surface.

To insure long lasting life for your glass shower products, wipe them off after each use with a soft cloth. Rinse and wipe of the glass using either soft cloth or squeegee to prevent soap buildup. Never use abrasive cleaners and cleaning products that contain scoring agent because this may scratch the surface. Never use bristle brushes or abrasive sponges.

To assure a long lasting finish wipe off the metal parts after each use with a soft cloth. Do not use abrasive cleaners or cleaning products containing ammonia, bleach or acid. If accidentally used, rinse the surface as soon as possible to prevent finish peeling or corrosion. After cleaning the shiny finishes, rinse thoroughly and wipe dry with soft cloth. Clean stainless steel surfaces at least once a week. When applying stainless steel cleaner or polish, work with (not across) the grain. Never use abrasive sponge or cloth, steel wool or wired brushes.

## DREAMLINE™ EXCLUSIVE LIMITED WARRANTY AS OF MAY 6, 2013

This warranty extends only to the original owner/end-user for household use only and is not transferable to a subsequent owner. This warranty extends for a designated period of time, so long as it remains in use in its original place of installation. This warranty applies only to DreamLine products purchased from an authorized dealer in United States or Canada. Proof of purchase (original sales receipt) from the original consumer purchase must be provided with all warranty claims.

**IN NO EVENT SHALL THE LIABILITY OF DREAMLINE EXCEED THE PURCHASE PRICE OF THE UNIT.**

DreamLine products must be installed by a fully insured and licensed professional. Installation of DreamLine product by anyone other than fully insured licensed professionals shall **VOID THE WARRANTY**. DreamLine recommends that such licensed professionals have experience in the installation of bathroom products. Installation of certain products, including, without limitation, glass products (i.e., shower and tub doors) by an inexperienced installer may result in glass breakage and, consequently, cause personal injury or death.

### PARTS ONLY WARRANTY

This warranty is extensive in that it covers replacement of all defects. LABOR CHARGES AND/OR DAMAGE INCURRED IN INSTALLATION, REPAIR, OR REPLACEMENT, AS WELL AS ANY OTHER KIND OF LOSS OR DAMAGE ARE EXCLUDED

### COMMERCIAL USE AND OTHER EXCLUSIONS

This warranty excludes all industrial, commercial and business usage, whose purchasers are hereby extended a one (1) year limited warranty from the date of purchase for shower and tub doors, a three (3) month limited warranty from the date of purchase for vanities and sinks, with all other terms of this warranty applying except the duration of the warranty.

DREAMLINE JETTED AND STEAM SHOWER CABINS, DREAMLINE SHOWER COLUMNS AND DREAMLINE SHOWER SEATS ARE NOT INTENDED FOR COMMERCIAL USE AND THERE IS NO WARRANTY EXTENDED FOR THESE PRODUCTS FOR COMMERCIAL USE.

DreamLine hereby disclaims all warranties for products sold as dealer or store displays. DreamLine hereby disclaims all warranties for products used outside of the United States or Canada whether expressed or implied, including but not limited to the implied warranties of merchantability and fitness for a particular purpose.

### WARRANTY TERMS

DreamLine will, at its election, repair or replace the product found by DreamLine in its sole judgment, to be defective within the warranty period under normal residential use and maintenance. The replacement of a product is limited to supplying a replacement product or part (same as existing or if not available, comparable product). DreamLine warranty obligation shall be discharged upon tender of parts, replacement or repair of the product. Purchaser's refusal to accept the tender terminates all warranty obligations and **VOIDS THE WARRANTY**. Cost of freight for returning products to DreamLine for repairs or replacement under this limited warranty are the responsibility of the customer. Cost of freight associated with shipping of replacement product or parts to the customer may be charged to customer. Any product replaced or repaired during the warranty period will be covered only for the remaining period of the original warranty. In no event will DreamLine be liable for costs of repair or replacement of any installation material, including but not limited to tiles, marble, etc.

**DREAMLINE IS NOT RESPONSIBLE FOR INSTALLATION, REMOVAL OR REINSTALLATION COSTS OF ANY PRODUCT REQUIRING WARRANTY SERVICES.**

Any modification or alteration of any DreamLine products will void the warranty. DreamLine product installations and repairs must be performed by either a DreamLine authorized agent or a licensed, insured and experienced professional contractor - installation or repairs performed by any other party shall void the warranty. This warranty shall not apply to breakage or damages caused by normal wear and tear, fault, carelessness, abuse, misuse, misapplication, improper maintenance, alteration or modification of the unit, as well as chemical or natural corrosion, accident, fire, flood, act of God or any other casualty. Improper care and cleaning will void the warranty. Use of cleaners containing abrasive cleansers, ammonia, bleach, acids, waxes, alcohol, solvents or other products not recommended for chrome or similar finish, glass or acrylic will void the warranty. For additional product maintenance instructions please refer to product installation manual. DreamLine is not responsible for any issues arising in connection with errors or omissions in information provided on DreamLine's websites. The warranty does not extend to any non-DreamLine plumbing or components installed by installers, end users or by any party other than DreamLine.

**THE FOREGOING WARRANTIES ARE IN LIEU OF ALL OTHER WARRANTIES, EXPRESSED OR IMPLIED, INCLUDING BUT NOT LIMITED TO THE IMPLIED WARRANTIES OF MERCHANTABILITY AND FITNESS FOR A PARTICULAR PURPOSE. BATH AUTHORITY LLC ("DREAMLINE") AND/OR SELLER DISCLAIMS ALL LIABILITY FOR SPECIAL, INCIDENTAL OR CONSEQUENTIAL DAMAGES. DREAMLINE IS NOT LIABLE FOR PERSONAL INJURIES OR DEATH TO ANY PERSON OR FOR ANY DIRECT, SPECIAL, INCIDENTAL OR CONSEQUENTIAL DAMAGE, LOSS OF USE, LOSS OF TIME, LOSS OF PROFITS, INCONVENIENCE, INCIDENTAL EXPENSES, LABOR OR MATERIAL CHARGES, OR ANY OTHER COSTS RESULTING FROM THE USE OF ITS PRODUCTS OR PERTAINING TO THE APPLICATION OF THE PRESENT WARRANTY, OR RESULTING FROM THE REMOVAL OR REPLACEMENT OF ANY PRODUCT OR ELEMENT OR PART COVERED BY THIS WARRANTY.**

### PRODUCT WARRANTY PERIODS

DreamLine is not responsible for product code compliance or for verifying building code restrictions on installation or use and any such compliance is excluded from this warranty. DreamLine reserves the right to modify this warranty at any time - such warranty modifications will not alter the warranty applicable at the time of sale of the products in question. The warranty terms for specific products for consumer (non-industrial, non-commercial, non-business use only) are:

#### SHOWER BACKWALL, SHOWER CABINS (JETTED & STEAM)

DreamLine warrants shower backwalls and shower cabins to be free from defects in workmanship for a period of one (1) year from initial date of purchase by the owner/end-user, contractor or builder from an authorized dealer.

#### SHOWER & TUB DOORS, SHOWER ENCLOSURES

DreamLine warrants shower doors, tub doors and shower enclosures to be free from defects in workmanship and materials under normal residential use for a period of five (5) years from the initial date of purchase by the owner/end-user, contractor or builder from an authorized dealer. Warranty for plastic strips shall be limited to one (1) year. Warranty for any part in Oil Rubbed Bronze finish shall be limited to one (1) year.

#### SHOWER BASES

DreamLine warrants shower bases to be free from defects in workmanship and materials under normal residential use for as long as the original consumer purchaser owns their home in which their product is installed.

#### SHOWER COLUMNS

DreamLine warrants shower columns to be free from defects in workmanship and materials under normal residential use for a period of one (1) year from the initial date of purchase by the owner/end-user, contractor or builder from an authorized dealer.

#### SHOWER SEATS

DreamLine warrants shower seats to be free from defects in workmanship and materials under normal residential use for a period of one (1) year from the initial date of purchase by the owner/end-user, contractor or builder from an authorized dealer. Warranty shall be VOID if the shower seat is not professionally installed on a properly reinforced wall.

#### VANITIES AND VESSEL SINKS

DreamLine warrants bathroom vanities and vessel sinks to be free from defects in workmanship and materials under normal residential use for a period of one (1) year from the initial date of purchase by the owner/end-user, contractor or builder from an authorized dealer.

#### STATE LAWS AND THIS WARRANTY

Some states/provinces do not allow limitations on how long an implied warranty lasts, or the exclusion or limitation of special, incidental or consequential damages, so these limitations and exclusions may not apply to you. This warranty gives you specific legal rights. You may also have other rights, which vary from state/province to state/province.

### WARRANTY SERVICE

The following information will be required for you to file a Warranty claim:

1. Your name, address and telephone number
2. Product model number
3. Brief description of problem (please note that additional information such as photos may be required to fully process your warranty claim)
4. Proof of purchase

You may submit this information by e-mail, mail or fax to:

DreamLine  
Warranty Service Center  
75 Hawk Road  
Warminster, PA 18974  
F:1-866-857-3638  
T:1-866-731-2244  
Warranty@bathauthority.com



---

TEL: [866-731-2244](tel:866-731-2244)

FAX: [866-227-1533](tel:866-227-1533)

[WWW.BATHAUTHORITY.COM](http://WWW.BATHAUTHORITY.COM)

For more information on [DreamLine™ Shower Doors](http://www.BathAuthority.com) please visit [www.BathAuthority.com](http://www.BathAuthority.com)