

- LG49-WE1C Finish(C)
- LG49-WE1D Finish(D)
- LG49-WE1K Finish(K)
- LG49-WE1Y Finish(Y)

- Lever Handles
- Trim Only, Valve Not Included
- Pforever Seal
- Solid Brass Construction

Specifications

Features

- 1.2 GPM Flow Rate
- Wallmount
- 3-Hole Installation
- Pforever Seal Ceramic Disc Valves
- Pforever Warranty®

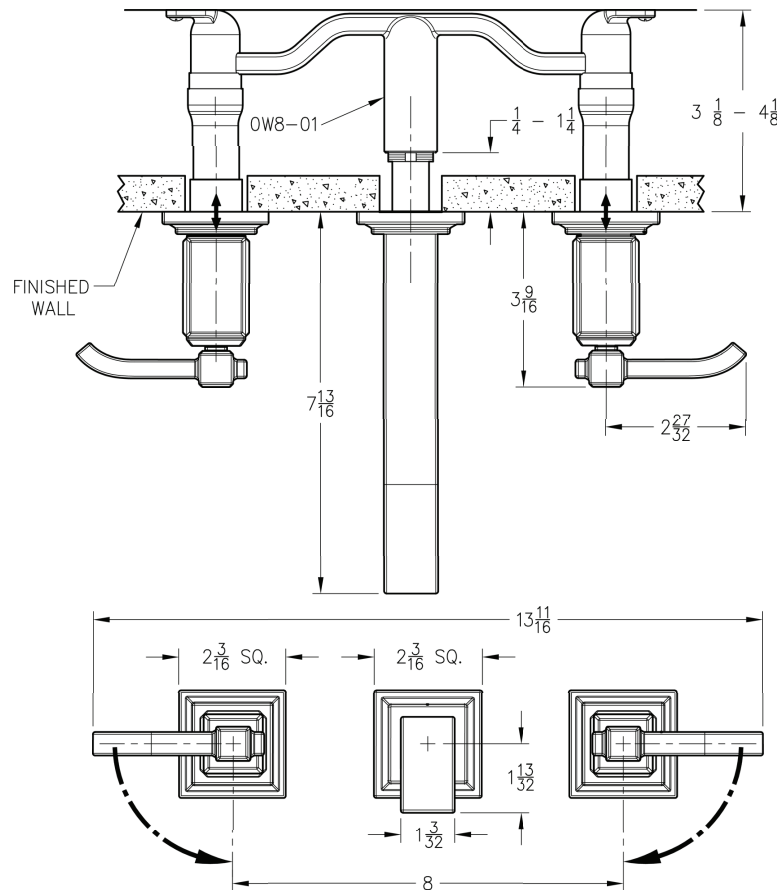
Code Compliance

Pfister products are designed and manufactured in compliance with the following standards and codes:

- IAPMO Certified
- CSA B125 Certified
- ASME A112.18.1
- NSF 61/9 Annex G (Low lead)
- Cal Green Compliant
- EPA WaterSense Certification 1.2 gpm, 4.5 L/Min
- ADA Compliant-ANSI A117.1 (Lever handles only)



Dimensions



Ø1 Min to Ø1-1/2 Max. Deck Hole Openings