

ELKAY[®]

SPECIFICATIONS

Pacemaker[®] Double Bowl Sink No Faucet Ledge Models PSFR3319 and PSFRQ3319

GENERAL

Fine quality sink bowls seamlessly formed of #20 gauge, type 304 (18-8) nickel bearing stainless steel. Self-rimming.

DESIGN FEATURES

Bowl Depth: 7-1/8".

Coved Corners: 1-3/4" vertical and horizontal radius.

Bowl Recess: 3/16" below outside edge of sink.

Finish: Exposed surfaces are polished to a lustrous high-lighted satin finish.

Underside: Fully undercoated to dampen sound and prevent condensation.

OTHER

Drain Opening: 3-1/2".

These sinks comply with ANSI Standard A112.19.3M.

OPTIONAL ACCESSORIES

Rinsing Baskets: LKRB1611 or LKERBSS.

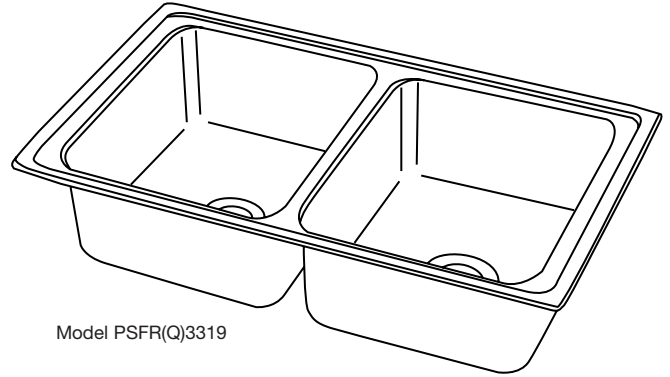
Cutting Boards: CB1613, CB1713, CBR1316 or CBS1316.

Bottom Grid: LKBG1613.

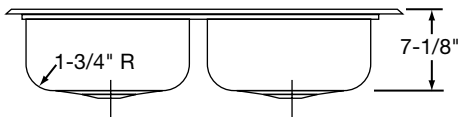
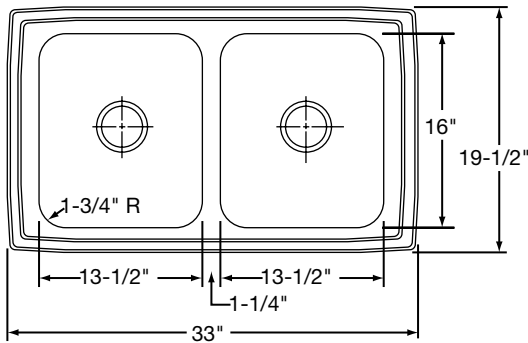
SINK DIMENSIONS (INCHES)*

U-Channel Model Number	Quick-Clip [®] Model Number	Overall		Inside Each Bowl			Cutout in Countertop (1 1/2" Radius Corners)		Minimum Cabinet Size	Ship. Wt. Lbs.
		L	W	L	W	D	L	W		
PSFR3319	PSFRQ3319	33	19 1/2	13 1/2	16	7 1/8	32 3/8	18 7/8	36	16

* Length is left to right. Width is front to back.

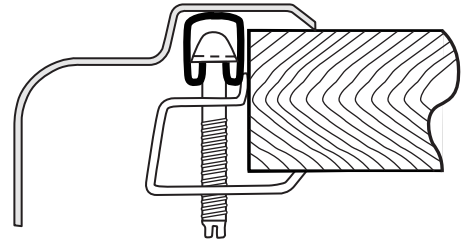


Model PSFR(Q)3319

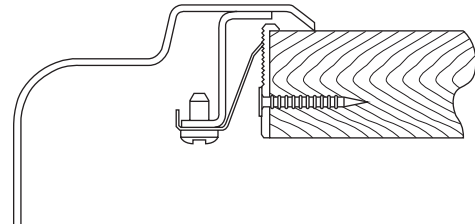


Model PSFR3319 Illustrated

U-Channel Type Mounting System



Quick-Clip[®] Mounting System



ALL DIMENSIONS IN INCHES, TO CONVERT TO MILLIMETERS MULTIPLY BY 25.4.

In keeping with our policy of continuing product improvement, Elkay reserves the right to change product specifications without notice.

This specification describes an Elkay product with design, quality and functional benefits to the user. When making a comparison of other producers' offerings, be certain these features are not overlooked.

Elkay

www.elkayusa.com

2222 Camden Court
Oak Brook, IL 60523

Printed in U.S.A.
©2004 Elkay

(Rev. 3/04) 1-68C