

# DAYTON SPECIFICATIONS

## Kingsford® Hospitality Sinks Models KW11515 and KW11516

### GENERAL

Sink is formed of #23 gauge, 300 series, nickel-bearing stainless steel. Top mount.

### DESIGN FEATURES

Bowl Depth: 5-1/8" (130mm).

Coved Corners: 2-1/4" (57mm) vertical and horizontal radius.

Finish: Exposed surfaces are polished to a Satin finish.

Underside: Undercoated on bottom of bowl to reduce condensation and dampen sound.

### OTHER

Drain Opening: 2" (51mm) KW11515, 3-1/2" (89mm) KW11516.

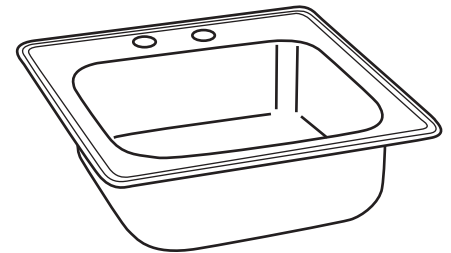
Note: Unless otherwise specified, sink is furnished with 2 faucet holes as shown.

Master Pack: Sinks are nested with rim wrapper in quantities of 10 or 50.

Installation Hardware: Included for 3/4" (19mm) thick countertops.

These sinks comply with ASME A112.19.3-2008/CSA B45.4-08

These sinks are listed by the International Association of Plumbing and Mechanical Officials as meeting the requirements of the Uniform Plumbing Code.



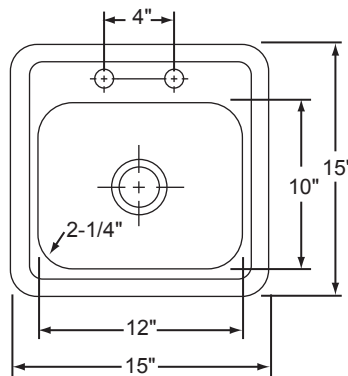
Model KW115152



### SINK DIMENSIONS\*

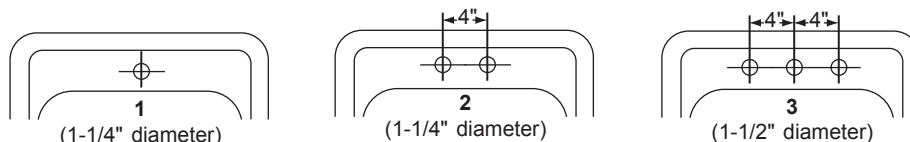
Model Number	Master Pack	Overall		Inside Bowl			Cutout in Countertop (1-1/2" (38mm) Radius Corners)		No of 1-1/2" (38mm) Faucet Holes	Minimum Cabinet Size
		L	W	L	W	D	L	W		
		A	B	C	D	E	L	W		
KW1011515	10	15	15	12	10	5 1/8	14 3/8	14 3/8	1,2 or 3	18
		381 (mm)	381 (mm)	305 (mm)	254 (mm)	130 (mm)	365 (mm)	365 (mm)		457 (mm)
KW5011515	50	15	15	12	10	5 1/8	14 3/8	14 3/8	1,2 or 3	18
		381 (mm)	381 (mm)	305 (mm)	254 (mm)	130 (mm)	365 (mm)	365 (mm)		457 (mm)
KW1011516	10	15	15	12	10	5 1/8	14 3/8	14 3/8	1,2 or 3	18
		381 (mm)	381 (mm)	305 (mm)	254 (mm)	130 (mm)	365 (mm)	365 (mm)		457 (mm)
KW5011516	50	15	15	12	10	5 1/8	14 3/8	14 3/8	1,2 or 3	18
		381 (mm)	381 (mm)	305 (mm)	254 (mm)	130 (mm)	365 (mm)	365 (mm)		457 (mm)

\*Length is left to right. Width is front to back.



Bowl Depth is 5-1/8"

### HOLE DRILLING CONFIGURATIONS



In keeping with our policy of continuing product improvement, Elkay reserves the right to change product specifications without notice.

This specification describes an Elkay product with design, quality and functional benefits to the user. When making a comparison of other producers' offerings, be certain these features are not overlooked.

Elkay

elkayusa.com

2222 Camden Court  
Oak Brook, IL 60523

Printed in U.S.A.  
©2009 Elkay

(Rev 11/09) 2-69A