

DAYTON® SPECIFICATIONS

Kingsford® Double Bowl Sink Models K23321, K23322 and KJ23322Series

GENERAL

Sink is formed of #23 gauge, type 301 series, nickel-bearing stainless steel. Top mount.

DESIGN FEATURES

Bowl Depth: 6-1/16" (156mm)

Rim Heights: 3/16" (5mm)

Faucet Deck: Raised

Coved Corners: 4"(102mm) vertical and 3-1/4"(83mm) horizontal radius.

Bowl Finish: Exposed surfaces are polished to a satin finish.

Underside: Undercoated on bottom of bowls.

OTHER

Drain Opening: 3-1/2" (89mm).

Note: Unless otherwise specified, sink is furnished with 4 faucet holes as shown.

Installation Hardware: Included for 3/4" (19mm) countertop.

OPTIONAL ACCESSORIES

Bottom Grid: GBG1415SS

Drain: LK35, D1125

Sink complies with ASME A112.19.3-2008 / CSA B45.4-08.



These sinks are listed by the International Association of Plumbing and Mechanical Officials as meeting the requirements of the Uniform Plumbing Code and the National Plumbing Code of Canada.

SINK PACKAGE

K233224DF includes: (1) Sink - K233224, (1) Faucet - LK2478CR, and (2) Drains.

FAUCET FEATURES

Chrome finished, single-lever kitchen faucet with side spray.

Flexible supply tubes with 1/2" (13mm) male IPS adapters.

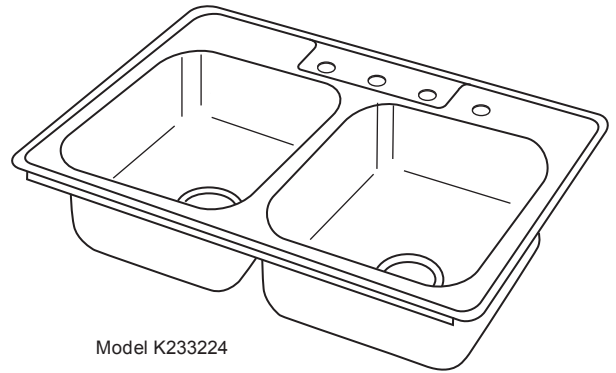
Faucet complies with: ADA, ASME A112.18.1/CSA B125.1, cUPC, CA AB1953

Faucet flow rate: 2.2 GPM/8.3 L/min at 60 P.S.I.G.

DRAIN FEATURES

Stainless steel body and strainer.

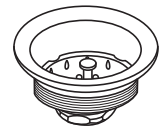
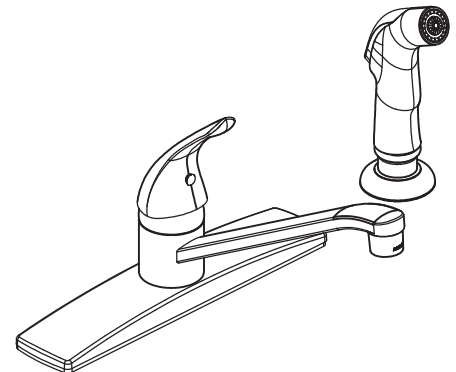
Fits 3-1/2" (89mm) opening.



Model K233224



**SINKS ARE
MADE IN THE USA**



In keeping with our policy of continuing product improvement, Elkay reserves the right to change product specifications without notice.

This specification describes an Elkay product with design, quality and functional benefits to the user. When making a comparison of other producers' offerings, be certain these features are not overlooked.

Elkay

elkayusa.com

2222 Camden Court
Oak Brook, IL 60523

Printed in U.S.A.
©2011 Elkay

(Rev. 8/11) 2-19I

DAYTON[®]

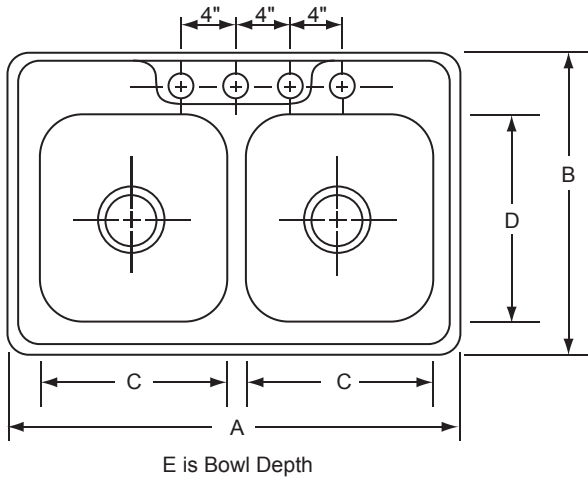
SPECIFICATIONS

Kingsford[®] Double Bowl Sink Models K23321, K23322 and KJ23322Series

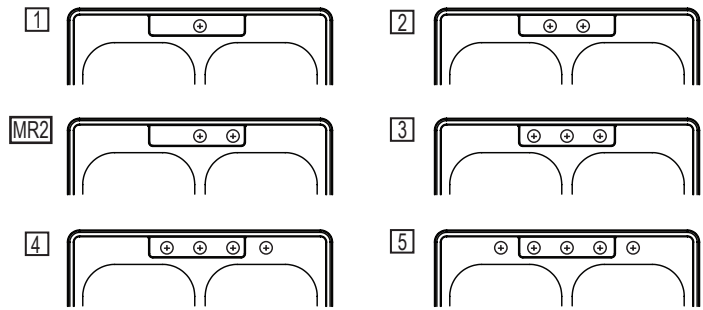
SINK DIMENSIONS (INCHES)*

U-Channel Model Number	J-Channel Model Number	Overall		Inside Bowl			Cutout in Countertop (1-1/2" (38mm) Radius Corners)		No. of 1-1/2" (38mm) Dia. Faucet Holes 4" (102mm) Center	Minimum Cabinet Size
		L	W	L	W	D	L	W		
K23321	—	33 (838mm)	21-14 (540mm)	14 (356mm)	15-3/4 (400mm)	6-1/16 (154mm)	32-3/8 (822mm)	20-5/8 (524mm)	1, 2, MR2, 3, 4, or 5	36 (914mm)
K23322	KJ23322	33 (838mm)	22 (559mm)	14 (356mm)	15-3/4 (400mm)	6-1/16 (154mm)	32-3/8 (822mm)	21-3/8 (524mm)	1, 2, MR2, 3, 4, or 5	36 (914mm)

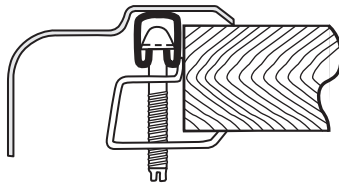
*Length is left to right. Width is front to back.



Hole Drilling Configurations 1-1/2" (38mm) Diameter Faucet Holes on 4" (102mm) Centers



U-Channel Type Mounting System



J-Channel Type Mounting System

