

# ELKAY<sup>®</sup>

## SPECIFICATIONS

### Gourmet<sup>®</sup> Undermount Double Bowl Sink With Work Shelf Models ELUHWS3118 and ELUHWS311810

#### GENERAL

Highest quality sink formed of #18 (1.2mm) gauge, type 304 (18-8) nickel bearing stainless steel. 2 LKWS1316SS Work Shelves included. Undermount.

#### DESIGN FEATURES

Bowl Depths: 7-7/8" (200mm) (ELUHWS3118), 10" (254mm) (ELUHWS311810).

Coved Corners: 1-3/4" (44mm) vertical and horizontal radius.

Finish: Exposed surfaces are hand blended to a lustrous satin finish.

Underside: Underside of sink is fully protected by heavy duty Sound Guard™ undercoating to reduce condensation and dampen sound.

Smart Support System: Located 4-1/2" (114mm) from the top of the sink to allow use of the LKWS1316SS Work Shelf.

#### OTHER

Drain Opening: 3-1/2" (89mm).

Note: All Elkay undermount sinks are designed to affix easily to the underside of any solid surface countertop.

These sinks comply with ASME A112.19.3-2008/CSA B 45.4-08.

#### ACCESSORIES\*

Model Number	Description	Bowl	Overall			Material/Finish
			L	W	Depth/Thickness	
LKWS1316SS	Work Shelf	Both	13 <sup>5</sup> / <sub>16</sub> " (338mm)	15 <sup>3</sup> / <sub>4</sub> " (400mm)	1/4" (6mm)	Polished Stainless Steel

\*Length is left to right. Width is front to back.

#### OPTIONAL ACCESSORIES

Bottom Grid: LKWOBG1316SS.

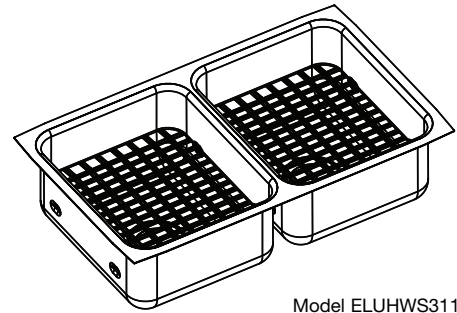
Cutting Boards: CB1613, CB1713, CBR1316, CBS1316.

Drain: LK99.

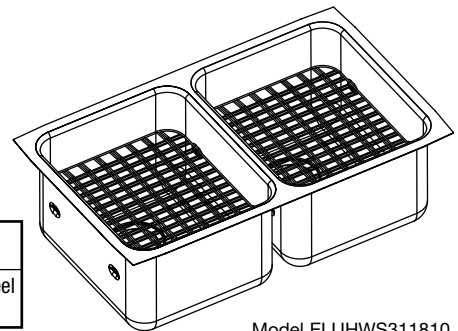
Mounting Clip: LKUCLIP8 (2 packages required).

Rinsing Baskets: LKWRB1316SS, LKWERBSS.

Utensil Caddy for Rinsing Basket: LKWUCSS.



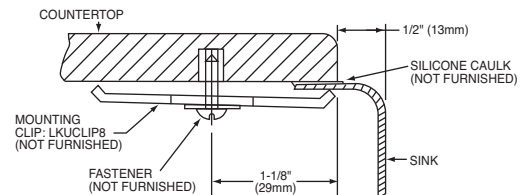
Model ELUHWS3118



Model ELUHWS311810

#### Installation Profile

The template provided with each sink provides the only type of installation recommended by Elkay.



SEE OTHER SIDE FOR PRODUCT DIMENSIONS.

In keeping with our policy of continuing product improvement, Elkay reserves the right to change product specifications without notice. Please visit [elkayusa.com](http://elkayusa.com) for most current version of Elkay product specification sheets.

This specification describes an Elkay product with design, quality and functional benefits to the user. When making a comparison of other producers' offerings, be certain these features are not overlooked.

**Elkay**

[elkayusa.com](http://elkayusa.com)

2222 Camden Court  
Oak Brook, IL 60523

Printed in U.S.A.  
©2009 Elkay

(4/09)

1-340

**Gourmet® Undermount  
Double Bowl Sink With Work Shelf  
Models ELUHWS3118 and ELUHWS311810**

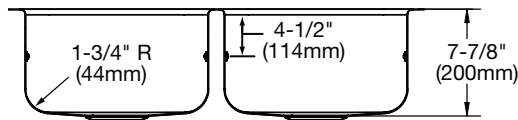
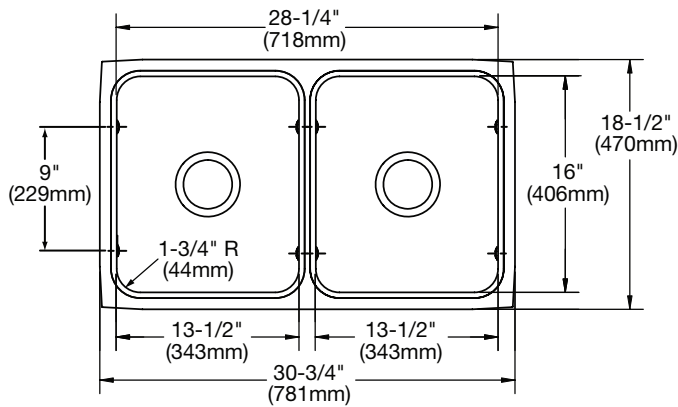
**ELKAY®  
SPECIFICATIONS**

**SINK DIMENSIONS\***

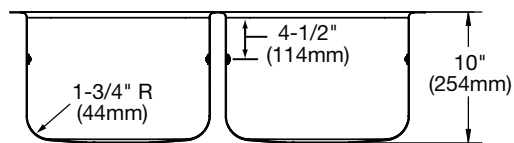
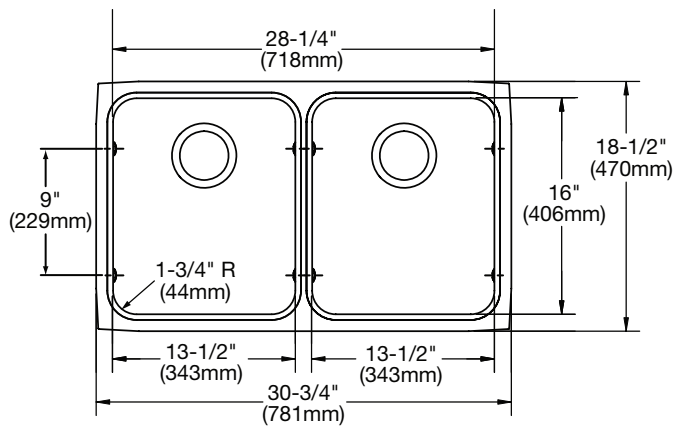
Model Number	Overall		Inside Left Bowl			Inside Right Bowl			Cutout in Countertop	Minimum Cabinet Size
	L	W	L	W	D	L	W	D		
ELUHWS3118	30 <sup>3</sup> / <sub>4</sub> (781mm)	18 <sup>1</sup> / <sub>2</sub> (470mm)	13 <sup>1</sup> / <sub>2</sub> (343mm)	16 (406mm)	7 <sup>7</sup> / <sub>8</sub> (200mm)	13 <sup>1</sup> / <sub>2</sub> (343mm)	16 (406mm)	7 <sup>7</sup> / <sub>8</sub> (200mm)	See Template**	36 (914mm)
ELUHWS311810	30 <sup>3</sup> / <sub>4</sub> (781mm)	18 <sup>1</sup> / <sub>2</sub> (470mm)	13 <sup>1</sup> / <sub>2</sub> (343mm)	16 (406mm)	10 (254mm)	13 <sup>1</sup> / <sub>2</sub> (343mm)	16 (406mm)	10 (254mm)		36 (914mm)

\*Length is left to right. Width is front to back.

\*\*Template is packed with every sink.



Model ELUHWS3118



Model ELUHWS311810