

**PRODUCT SPECIFICATIONS**

Crosstown™ Stainless Steel Single Bowl Dual / Universal Mount Sink Kit. Overall dimensions are 13" x 16" x 9". Sink is manufactured from 18 gauge 304 Stainless Steel with a Polished Satin finish, Center drain placement and SoundGuard®.

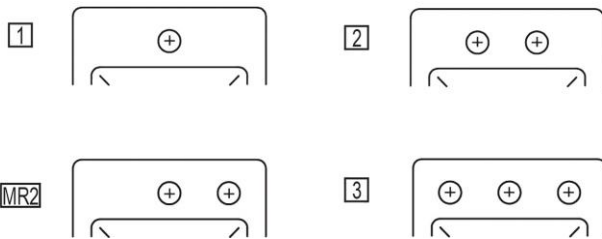
<b>Installation Type:</b>	Dual / Universal Mount
<b>Material:</b>	304 Stainless Steel
<b>Finish:</b>	Polished Satin
<b>Gauge:</b>	18
<b>Sound Deadening:</b>	SoundGuard®
<b>Number of Bowls:</b>	1
<b>Sink Dimensions:</b>	13" x 16" x 9"
<b>Bowl 1 Dimensions:</b>	10-1/2" x 10-3/4" x 9"
<b>Drain Size:</b>	3-1/2" (89mm)
<b>Drain Location:</b>	Center
<b>Minimum Cabinet Size:</b>	18"
<b>Mounting Hardware:</b>	Part # 64090022 included for top mount installation for countertops up to 3/4" (19mm) thick
<b>Template Included:</b>	Yes
<b>Cutout Template #:</b>	<a href="#">1000001177</a>

Template is available for download at [elkay.com](#)

**Cutout Dimensions for Top Mount Installation:**  
12-3/8" x 15-3/8" (314mm x 391mm) with 1-1/2" (38mm) corner radius

**Hole Drilling Configurations:**

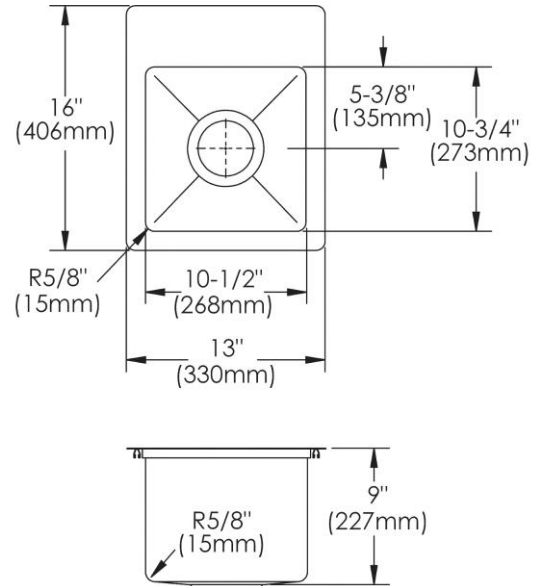
1-1/2" (38mm) Diameter Faucet Holes on 4" (102mm) Centers



**Included with Product:** ECTSR13169 sink, CTBG0909SS bottom grid

AMERICAN PRIDE. A LIFETIME TRADITION. Like your family, the Elkay family has values and traditions that endure. For almost a century, Elkay has been a family-owned and operated company, providing thousands of jobs that support our families and communities.

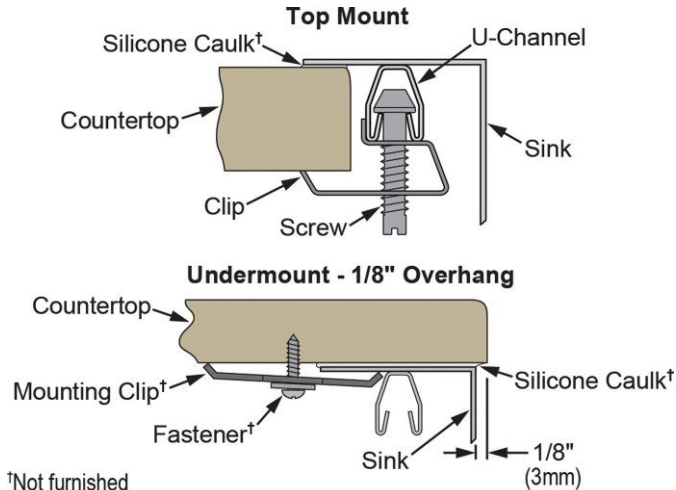
**Product Compliance:** ASME A112.19.3/CSA B45.4  
[Clean and Care Manual \(PDF\)](#)  
[Installation Instructions \(PDF\)](#)  
[Limited Lifetime Warranty \(PDF\)](#)



PART: \_\_\_\_\_ QTY: \_\_\_\_\_  
PROJECT: \_\_\_\_\_  
CONTACT: \_\_\_\_\_  
DATE: \_\_\_\_\_  
NOTES: \_\_\_\_\_  
APPROVAL: \_\_\_\_\_

In keeping with our policy of continuing product improvement, Elkay reserves the right to change product specifications without notice. Please visit [elkay.com](#) for the most current version of Elkay product specification sheets. This specification describes an Elkay product with design, quality, and functional benefits to the user. When making a comparison of other producers' offerings, be certain these features are not overlooked.

**Installation Profile:**



†Not furnished  
Designed to affix to the underside of any solid surface countertop.

**OPTIONAL ACCESSORIES**

<b>Hardware:</b>	LKUCLIP8
<b>Sinkmate:</b>	LKSM17, LKSMHOOK, LKSMSPONGE, LKSMHSL

In keeping with our policy of continuing product improvement, Elkay reserves the right to change product specifications without notice. Please visit [elkay.com](http://elkay.com) for the most current version of Elkay product specification sheets. This specification describes an Elkay product with design, quality, and functional benefits to the user. When making a comparison of other producers' offerings, be certain these features are not overlooked.