

# ELKAY® SPECIFICATIONS

## Lustertone® – Double Ledge Models DRKR and DRKRQ Series Models DRKAD and DRKADQ Series – A.D.A. Compliant

### GENERAL

Lustertone sinks with rear faucet ledge and right or left side ledge. Highest quality sink bowl seamlessly formed of #18 gauge, type 304 (18-8) nickel bearing stainless steel. Self-rimming.

### DESIGN FEATURES

DRKR(Q) Bowl Depth: 7-5/8".

DRKAD(Q) Bowl Depths: 4", 4-1/2", 5", 5-1/2", 6" or 6-1/2".

Coved Corners: 1-3/4" vertical and horizontal radius.

Bowl and Faucet Deck Recess: 3/16" below outside edge of sink.

Finish: Exposed surfaces are hand blended to a lustrous highlighted satin finish.

Underside: Fully undercoated to dampen sound and prevent condensation.

### OTHER

DRKR(Q) Series and DRKAD(Q)2220 drain openings are 3-1/2" and centered in bowl as illustrated.

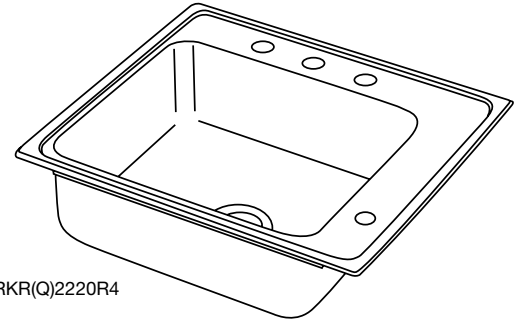
DRKAD(Q)2522 drain opening is 3-1/2" and located centered left-to-right and off-centered front-to-back as illustrated.

Slotted hole allows for vandal-resistant bubbler.

Suffix "L" (left) and "R" (right) denotes location of side ledge.

NOTE: Unless otherwise specified, sink is furnished with 4 faucet holes as shown.

These sinks comply with ANSI Standard A112.19.3M.



Model DRKR(Q)2220R4

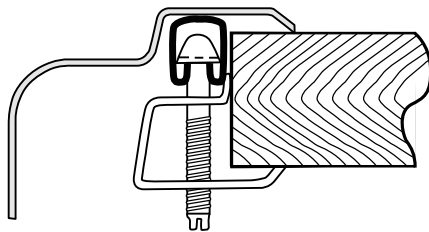
### SINK DIMENSIONS (INCHES)\*

U-Channel Model Number	Quick-Clip® Model Number	Overall		Inside Each Bowl			Cutout in Countertop (1 1/2" Radius Corners)		No. of Faucet Holes (see back page)	3 1/2" Drain Opening (see above for details)	Minimum Cabinet Size	Ship. Wt. Lbs.
		L	W	L	W	D	L	W				
		A	B	C	D	E	L	W				
<b>DRKR(Q) Series</b>												
DRKR2220L	DRKRQ2220L	22	19 1/2	16	13 1/2	7 5/8	21 3/8	18 7/8	2, 3 or 4	Centered	27	14
DRKR2220R	DRKRQ2220R	22	19 1/2	16	13 1/2	7 5/8	21 3/8	18 7/8	2, 3 or 4	Centered	27	14
DRKR2522L	DRKRQ2522L	25	22	19	16	7 5/8	24 3/8	21 3/8	2, 3 or 4	Centered	30	16
DRKR2522R	DRKRQ2522R	25	22	19	16	7 5/8	24 3/8	21 3/8	2, 3 or 4	Centered	30	16
<b>DRKAD(Q) Series</b>												
DRKAD2220L	DRKADQ2220L	22	19 1/2	16	13 1/2	**	21 3/8	18 7/8	2, 3 or 4	Centered	27	14
DRKAD2220R	DRKADQ2220R	22	19 1/2	16	13 1/2	**	21 3/8	18 7/8	2, 3 or 4	Centered	27	14
DRKAD2522L	DRKADQ2522L	25	22	19	16	**	24 3/8	21 3/8	2, 3 or 4	Off-Centered	30	16
DRKAD2522R	DRKADQ2522R	25	22	19	16	**	24 3/8	21 3/8	2, 3 or 4	Off-Centered	30	16

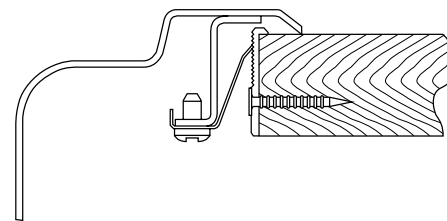
\*Length is left to right. Width is front to back.

\*\*Available in 4", 4-1/2", 5", 5-1/2", 6" and 6-1/2" depths. Please consult your sales representative for other depths or modifications.

#### U-Channel Type Mounting System



#### Quick-Clip® Mounting System

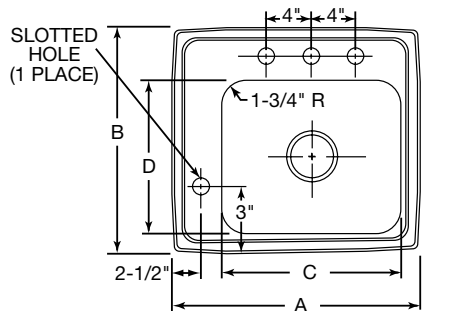


THIS PRODUCT, AS CONSTRUCTED IS SUBJECT TO INTERPRETATION OF A.D.A. REQUIREMENTS. THE UNOBSTRUCTED KNEE SPACE REQUIRED TO SATISFY A.D.A. STANDARDS MAY NOT BE DESIRABLE.

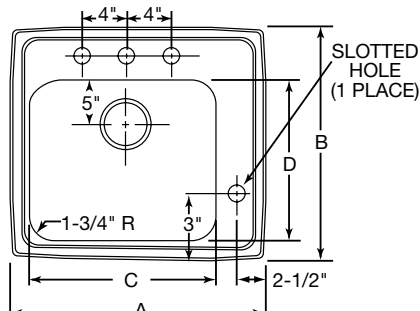
ALL DIMENSIONS IN INCHES, TO CONVERT TO MILLIMETERS MULTIPLY BY 25.4.

*In keeping with our policy of continuing product improvement, Elkay reserves the right to change product specifications without notice.*

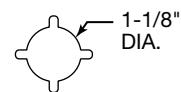
*This specification describes an Elkay product with design, quality and functional benefits to the user. When making a comparison of other producers' offerings, be certain these features are not overlooked.*



DRKR(Q)2220L4 Illustrated



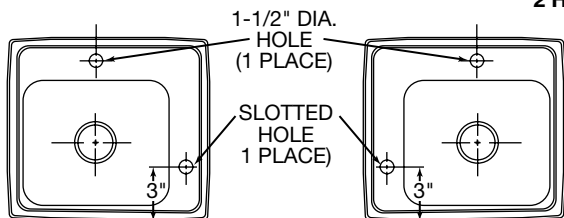
DRKAD(Q)2522R4 Illustrated



Slotted Hole

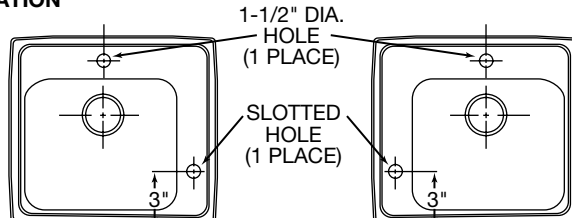
**HOLE DRILLING CONFIGURATIONS**

**2 HOLE CONFIGURATION**



MODELS DRKR(Q)2220R2  
 DRKR(Q)2522R2  
 DRKAD(Q)2220R\*\*2

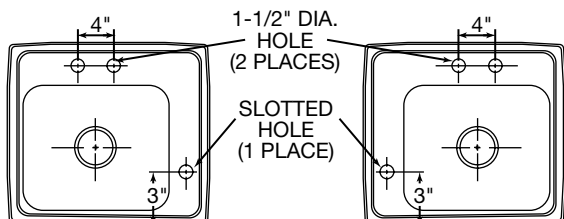
MODELS DRKR(Q)2220L2  
 DRKR(Q)2522L2  
 DRKAD(Q)2220L\*\*2



MODEL DRKAD(Q)2522R\*\*2

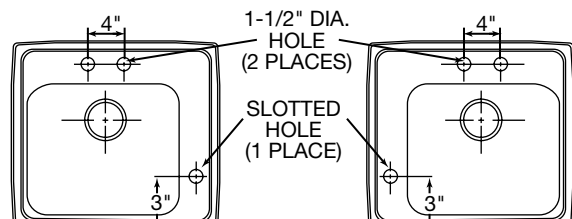
MODEL DRKAD(Q)2522L\*\*2

**3 HOLE CONFIGURATION**



MODELS DRKR(Q)2220R3  
 DRKR(Q)2522R3  
 DRKAD(Q)2220R\*\*3

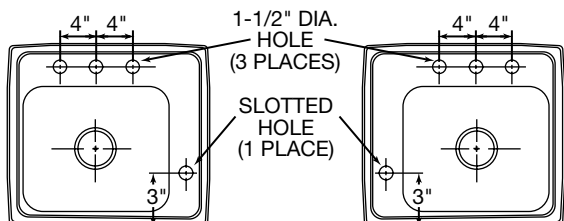
MODELS DRKR(Q)2220L3  
 DRKR(Q)2522L3  
 DRKAD(Q)2220L\*\*3



MODEL DRKAD(Q)2522R\*\*3

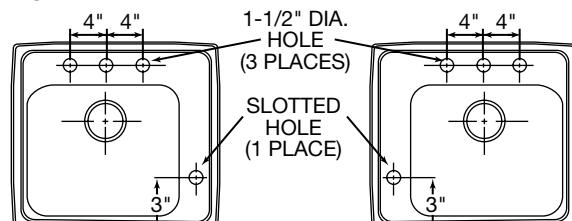
MODEL DRKAD(Q)2522L\*\*3

**4 HOLE CONFIGURATION**



MODELS DRKR(Q)2220R4  
 DRKR(Q)2522R4  
 DRKAD(Q)2220R\*\*4

MODELS DRKR(Q)2220L4  
 DRKR(Q)2522L4  
 DRKAD(Q)2220L\*\*4



MODEL DRKAD(Q)2522R\*\*4

MODEL DRKAD(Q)2522L\*\*4

\*\*= Bowl depths for ADA: 40=4", 45=4-1/2", 50=5", 55 = 5-1/2", 60 = 6", 65 = 6-1/2".