


PRODUCT SPECIFICATIONS

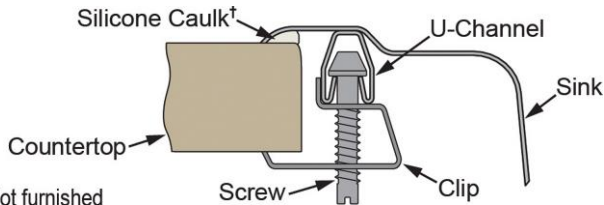
Lustertone® Stainless Steel Double Bowl Top Mount Quick-Clip® Sink + Faucet Kit. Overall dimensions are 34" x 17" x 4". Sink is manufactured from 18 gauge 304 Stainless Steel with a Lustrous Highlighted Satin finish, Center drain placement and Full spray sides and bottom.

Installation Type:	Top Mount
Material:	304 Stainless Steel
Finish:	Lustrous Highlighted Satin
Gauge:	18
Sound Deadening:	Full spray sides and bottom
Number of Bowls:	2
Sink Dimensions:	34" x 17" x 4"
Bowl 1 Dimensions:	16" x 11-1/2" x 3-7/8"
Bowl 2 Dimensions:	9-1/4" x 12" x 3-1/2"
Drain Size:	3-1/2" (89mm), 2" (51mm)
Drain Location:	Center
Minimum Cabinet Size:	42"
Mounting Hardware:	Part # 64090008 included for countertops up to 3/4" (19mm) thick
Cutout Template #:	1000001256 1000001273

Template is available for download at elkay.com

 This sink is compliant to ADA and ANSI/ICC A117.1 accessibility requirements when installed according to the requirements outlined in these standards.

Installation Profile:



OPTIONAL ACCESSORIES

Hardware:	LK364, LK463 (2 Required)
Sinkmate:	LKSM17, LKSMHOOK, LKSMSPONGE, LKSMHSL



Included with Product: One LKD2439C faucet, one LK1141A bubbler, one LK35 strainer, one LK8 drain fitting

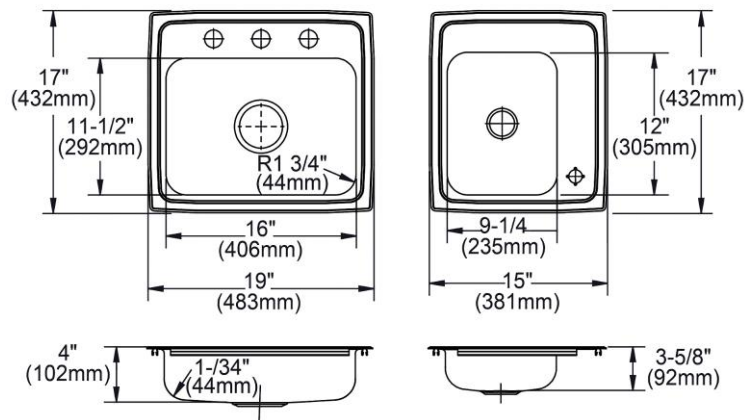
AMERICAN PRIDE. A LIFETIME TRADITION. Like your family, the Elkay family has values and traditions that endure. For almost a century, Elkay has been a family-owned and operated company, providing thousands of jobs that support our families and communities.

Product Compliance: ADA
BUY AMERICAN ACT
ASME A112.19.3/CSA B45.4
Faucet: ASME A112.18.1/CSA B125.1
NSF 372 (lead free)
NSF 61
Accessory: ASME A112.18.2/CSA B125.2

[Clean and Care Manual \(PDF\)](#)
[Installation Instructions \(PDF\)](#)
[Limited Lifetime Warranty \(PDF\)](#)

Similar models are available with: additional ADA depths

Three Faucet Holes 1-1/2" (38mm) Diameter Faucet Holes on 4" (102mm) Centers
One Slotted Hole 1-1/8" (29mm) Diameter Slotted Hole



PART: _____ QTY: _____
PROJECT: _____
CONTACT: _____
DATE: _____
NOTES: _____
APPROVAL: _____

In keeping with our policy of continuing product improvement, Elkay reserves the right to change product specifications without notice. Please visit elkay.com for the most current version of Elkay product specification sheets. This specification describes an Elkay product with design, quality, and functional benefits to the user. When making a comparison of other producers' offerings, be certain these features are not overlooked.