

DAYTON[®]

SPECIFICATIONS

Dayton[®] Premium Single Bowl Sink Model DPC1202010

GENERAL

Sink is formed of #20 (1mm) gauge, type 301, nickel-bearing stainless steel. Top mount.

DESIGN FEATURES

Bowl Depth: 10-1/4" (260mm)

Rim Height: 1/4" (6.3mm)

Coved Corners: 3" (76mm) vertical and 2-1/4" (57mm) horizontal radius

Finish: Exposed surfaces are polished to a Premium Highlighted Satin finish.

Underside: Fully undercoated to dampen sound and reduce condensation.

OTHER

Drain Opening: 3-1/2" (89mm)

OPTIONAL ACCESSORIES

Bottom Grid: GBG1415SS

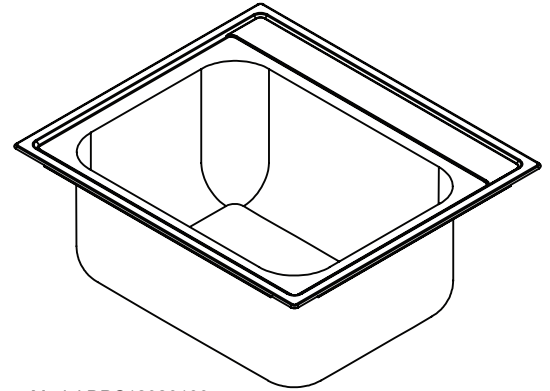
Cutting Boards: CB1516

Drain: D1125

Rinsing Baskets: LKWRB1316SS, LKWERBSS

Utensil Caddy: LKWUCSS

Sink complies with ASME A112.19.3-2008 / CSA B45.4-08.



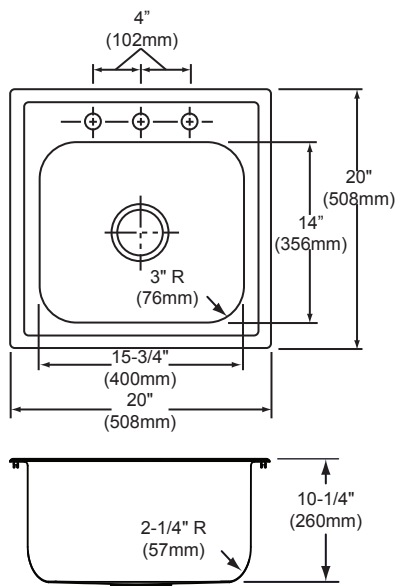
Model DPC12020100



SINK DIMENSIONS (INCHES)*

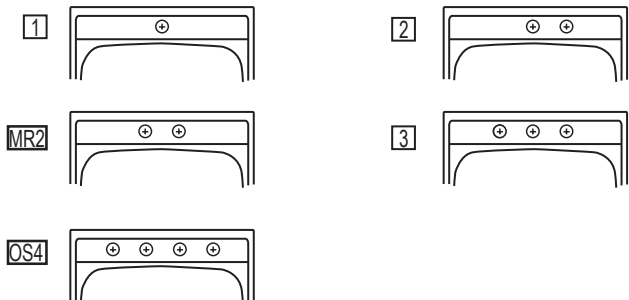
Model Number	Overall		Inside Bowl			Cutout in Countertop (1-1/2" (38mm) Radius Corners)		No. of 1-1/2" (38mm) Dia. Faucet Holes	Minimum Cabinet Size
	L	W	L	W	D	L	W		
DPC1202010	20 (508mm)	20 (508mm)	14 (356mm)	15-3/4 (400mm)	10-1/4 (260mm)	19-3/8 (492mm)	19-3/8 (492mm)	1, 2, MR2 3, 4, or 5	24 (610mm)

*Length is left to right. Width is front to back.

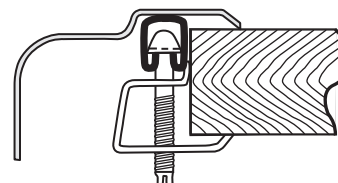


Hole Drilling Configurations

1-1/2" (38mm) Diameter Faucet Holes on 4" (102mm) Centers



U-Channel Type Mounting System



In keeping with our policy of continuing product improvement, Elkay reserves the right to change product specifications without notice.

This specification describes an Elkay product with design, quality and functional benefits to the user. When making a comparison of other producers' offerings, be certain these features are not overlooked.

Elkay

elkayusa.com

2222 Camden Court
Oak Brook, IL 60523

Printed in U.S.A.
©2012 Elkay

(Rev. 05/12) 2-85