

DAYTON SPECIFICATIONS

Dayton® Double Bowl Sink Models DDW23322 and DDJW23322 Series

GENERAL

Sink is formed of #22 gauge, 300 series, nickel-bearing stainless steel. Top mount.

DESIGN FEATURES

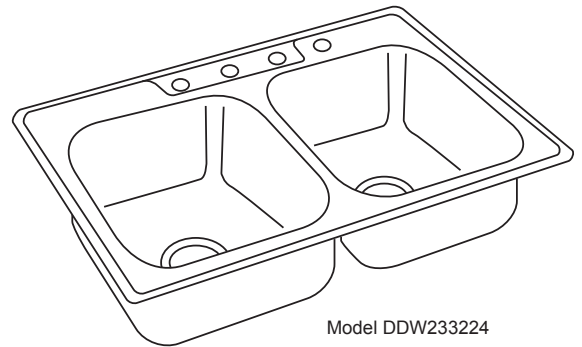
Bowl Depth: 7-1/16" (179mm).

Faucet Deck: raised.

Coved Corners: 4" (102mm) vertical and 3-1/4" (83mm) horizontal radius.

Bowl Finish: Exposed surfaces are polished to a satin finish.

Underside: Undercoated on bottom of bowl to reduce condensation and dampen sound.



Model DDW233224

OTHER

Drain Opening: 3-1/2" (89mm).

Note: Unless otherwise specified, sink is furnished with 4 faucet holes as shown.

Master Pack: Sinks are nested with rim wrappers in quantities of 10 or 50.

Installation Hardware: Included for 3/4" (19mm) countertop.

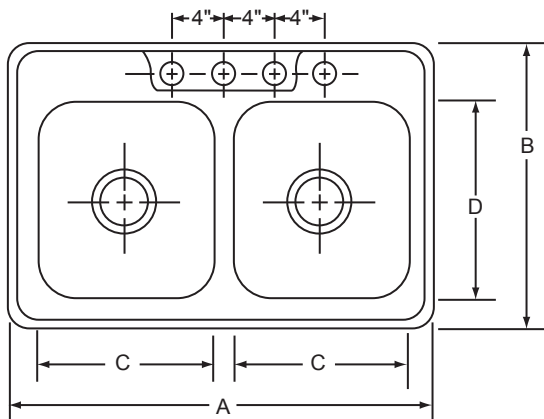
These sinks comply with ASME A112.19.3-2008/CSA B45.4-08.



SINK DIMENSIONS (INCHES)*

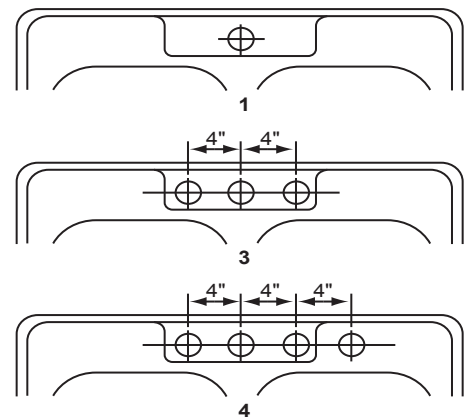
U-Channel Model Number	J-Channel Model Number	Master Pack	Overall		Inside Each Bowl			Cutout in Countertop (1-1/2" (38mm) Radius Corners)		No of 1-1/2" (38mm) Faucet Holes	Minimum Cabinet Size
			L	W	L	W	D	L	W		
			A	B	C	D	E	L	W		
DDW1023322	DDJW1023322	10	33 635 (mm)	22 559 (mm)	14 356 (mm)	15 3/4 400 (mm)	7 1/16 179 (mm)	32 3/8 619 (m)	21 3/8 543 (mm)	1,3 or 4	36 914 (mm)
DDW5023322	DDJW5023322	50	33 635 (mm)	22 559 (mm)	14 356 (mm)	15 3/4 400 (mm)	7 1/16 179 (mm)	32 3/8 619 (m)	21 3/8 543 (mm)	1,3 or 4	36 914 (mm)

*Length is left to right. Width is front to back.

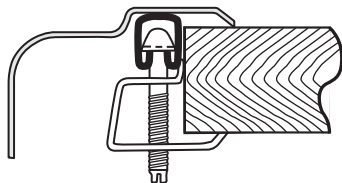


E is Bowl Depth

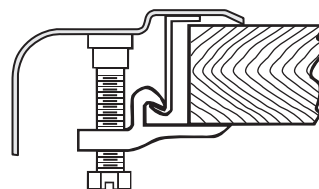
HOLE DRILLING CONFIGURATION



U-Channel Type Mounting System



J-Channel Type Mounting System



In keeping with our policy of continuing product improvement, Elkay reserves the right to change product specifications without notice.

This specification describes an Elkay product with design, quality and functional benefits to the user. When making a comparison of other producers' offerings, be certain these features are not overlooked.

Elkay

elkayusa.com

2222 Camden Court
Oak Brook, IL 60523

Printed in U.S.A.
©2009 Elkay

(Rev. 11/09) 2-72A