

DAYTON SPECIFICATIONS

Dayton® Single Bowl Sink Models D, DJ, DD and DDJ Series

GENERAL

Sink is formed of #22 gauge, 300 series, nickel-bearing stainless steel. Top mount.

DESIGN FEATURES

Bowl Depth: See back

Coved Corners:

D11719: 2-1/2" (64mm) vertical and 2-3/4" (70mm) horizontal radius

D11721, D12521, D(J)12522, DD(J)12522: 4" (102mm) vertical and 3-1/4" (83mm) horizontal radius.

Rim Height: 5/32" (4mm)

Faucet Deck: Raised (except D11719 and D11721).

Finish: Exposed surfaces are polished to a satin finish.

Underside: Undercoated on bottom of bowl to reduce condensation and dampen sound.

OTHER

Drain Opening: 3-1/2" (89mm)

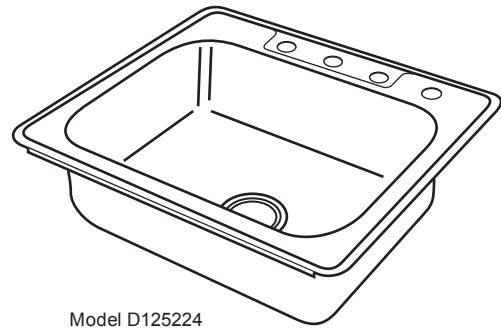
Note: Unless otherwise specified, sink is furnished with 3 or 4 faucet holes as shown.

Installation Hardware: Included for 3/4" (19mm) countertop.

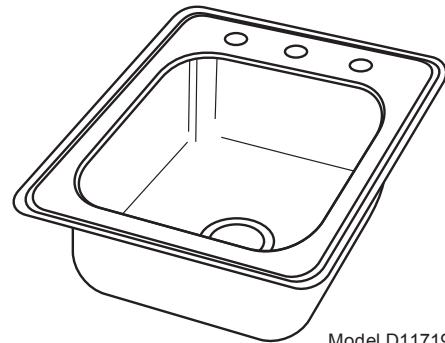
Sink complies with ASME A112.19.3-2008 / CSA B45.4-08.



These sinks are listed by the International Association of Plumbing and Mechanical Officials as meeting the requirements of the Uniform Plumbing Code.



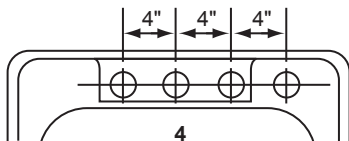
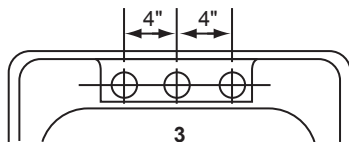
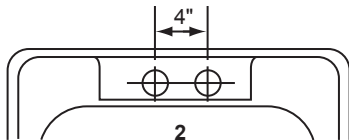
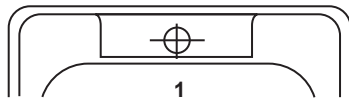
Model D125224



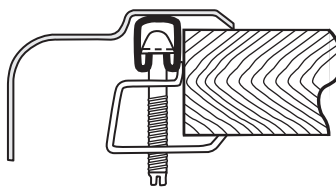
Model D117193

Hole Drilling Configurations

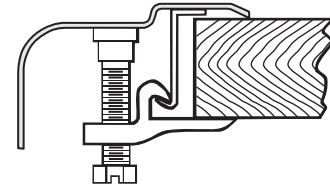
1-1/2" (38mm) Diameter Faucet Holes 4" (102mm) Center



U-Channel Type Mounting System



J-Channel Type Mounting System



SEE NEXT PAGE FOR PRODUCT DIMENSIONS.

In keeping with our policy of continuing product improvement, Elkay reserves the right to change product specifications without notice.

This specification describes an Elkay product with design, quality and functional benefits to the user. When making a comparison of other producers' offerings, be certain these features are not overlooked.

Elkay

elkayusa.com

2222 Camden Court
Oak Brook, IL 60523

Printed in U.S.A.
©2010 Elkay

(Rev. 7/10) 2-15H

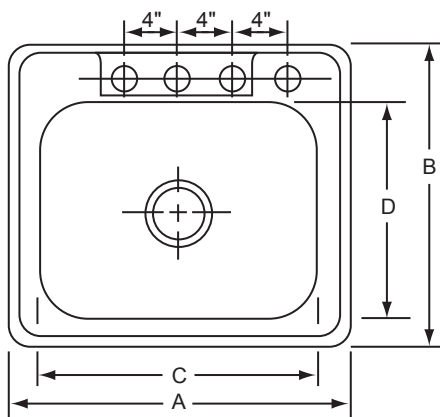
**Dayton® Single Bowl Sink
Models D, DJ, DD and DDJ Series**

**DAYTON
SPECIFICATIONS**

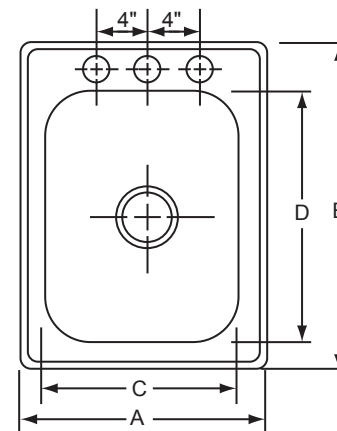
SINK DIMENSIONS (INCHES)*

U-Channel Model Number	J-Channel Model Number	Overall		Inside Bowl			Cutout in Countertop (1-1/2" (38mm) Radius Corners)		No. of 1-1/2" (38mm) Dia. Faucet Holes 4" (102mm) Center	Minimum Cabinet Size
		L	W	L	W	D	L	W		
		A	B	C	D	E	L	W		
D11719	-	17 (432mm)	19 (483mm)	14 (356mm)	14 (356mm)	6-1/8 (156mm)	16-3/8 (416mm)	18-3/8 (467mm)	1, 2 or 3	21 (533mm)
D11721	-	17 (432mm)	21-1/4 (540mm)	14 (356mm)	15-3/4 (400mm)	6-1/2 (165mm)	16-3/8 (416mm)	20-5/8 (524mm)	1, 2 or 3	21 (533mm)
D12521	-	25 (635mm)	21-1/4 (540mm)	21 (533mm)	15-3/4 (400mm)	6-1/2 (165mm)	24-3/8 (619mm)	20-5/8 (524mm)	1, 2, 3 or 4	30 (762mm)
D12522	DJ12522	25 (635mm)	22 (559mm)	21 (533mm)	15-3/4 (400mm)	6-9/16 (167mm)	24-3/8 (619mm)	21-3/8 (543mm)	1†, 2, 3 or 4	30 (762mm)
DD12522	DDJ12522	25 (635mm)	22 (559mm)	21 (533mm)	15-3/4 (400mm)	7-1/16 (181mm)	24-3/8 (619mm)	21-3/8 (543mm)	3 or 4	30 (762mm)

*Length is left to right. Width is front to back.
†1 hole only available for model D12522



Bowl Depth is E
Model D12544 Illustrated



Bowl Depth is E
Model D117193 Illustrated