

ELKAY® SPECIFICATIONS

Celebrity® Classroom Sink and Sink Packages Models CDKR2517, CDKAD2517, and CDKRC2517 Series

GENERAL

Good quality sink formed of #20 gauge, type 304 (18-8) nickel bearing stainless steel. Self-rimming.

DESIGN FEATURES

Sink Bowl Depth: 6-7/8" (CDKR2517 series), 6-1/2" (CDKAD251765 series).

Coved Corners: 3" vertical and 2-1/4" horizontal radius.

Bowl and Faucet Deck Recess: 3/16" below outside edge of sink.

Finish: Exposed surfaces are polished to a highlighted Celebrity bright finish.

Underside: Fully undercoated to dampen sound and prevent condensation.

OTHER

Drain Opening: 3-1/2".

Select faucet and bubbler holes are slotted to allow for vandal-resistant faucet and bubbler. See side 2 for illustration.

NOTE: Unless otherwise specified, sink is furnished with 2 faucet holes as illustrated.

Package model numbers include all components shipped in a single carton. VRC suffix represents packages that have vandal-resistant components.

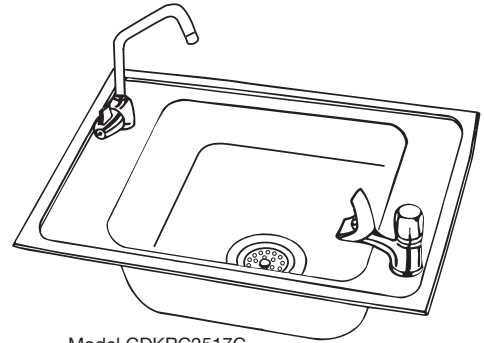
These sinks comply with ASME A112.19.3.



These sinks are listed by the International Association of Plumbing and Mechanical Officials as meeting the requirements of the Uniform Plumbing Code.



Model CDKAD2517C



Model CDKRC2517C

SINK DIMENSIONS (INCHES)*

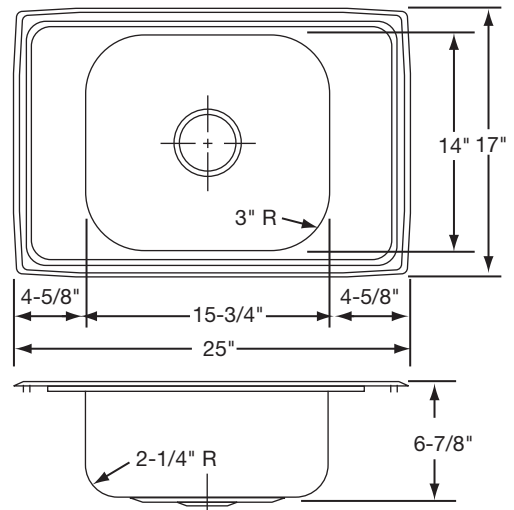
Model Number	Overall		Inside Bowl			Cutout in Countertop (1 1/2" Radius Corners)		No. of Faucet Holes	Minimum Cabinet Size
	L	W	L	W	D	L	W		
CDKR2517	25	17	15 3/4	14	6 7/8	24 3/8	16 3/8	2, 2LM or 4	30
CDKAD251765	25	17	15 3/4	14	6 1/2	24 3/8	16 3/8	2, 2LM or 4	30



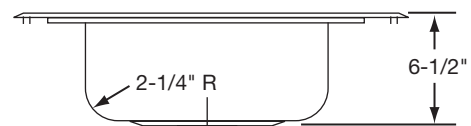
*Length is left to right. Width is front to back.

PACKAGE DETAILS

Package Model Number	Sink Model Number	Faucet Model Number	Bubbler Model Number	Drain Model Number
CDKAD2517C	CDKAD2517652	LKD208513L	LK1141A	LK35
CDKAD2517VRC	CDKAD2517652	LKDVR208513L	LKVR1141A	LKVR18
CDKR2517C	CDKR25172	LK208513L	LK1141A	LK35
CDKR2517VRC	CDKR25172	LKDVR208513L	LKVR1141A	LKVR18
CDKRC2517C	CDKR25172	LKDC2085L	LK1141A	LKJ35
CDKRC2517VRC	CDKR25172	LKDCVR2085L	LKVR1141A	LKVR18



Model CDKR2517 Illustrated



Model CDKAD251765 Illustrated

ALL DIMENSIONS IN INCHES, TO CONVERT TO MILLIMETERS MULTIPLY BY 25.4.

In keeping with our policy of continuing product improvement, Elkay reserves the right to change product specifications without notice.

This specification describes an Elkay product with design, quality and functional benefits to the user. When making a comparison of other producers' offerings, be certain these features are not overlooked.

Elkay

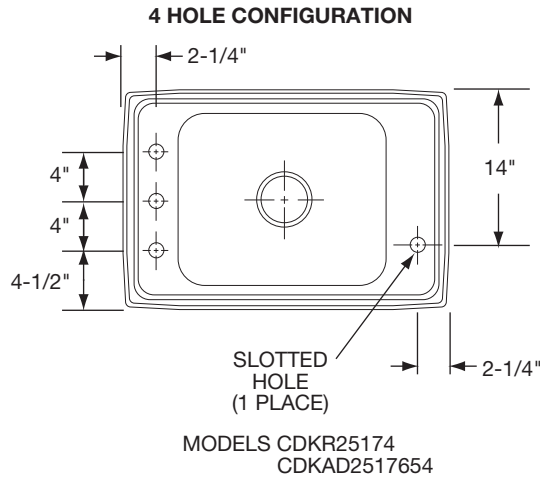
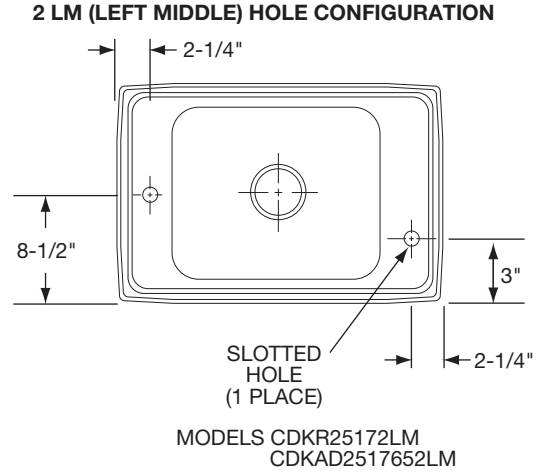
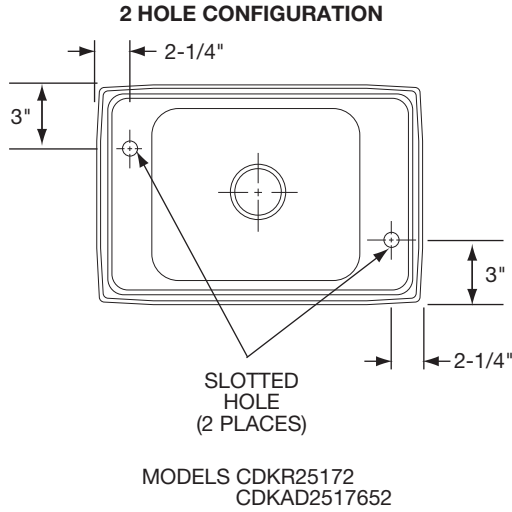
elkayusa.com

2222 Camden Court
Oak Brook, IL 60523

Printed in U.S.A.
©2007 Elkay

(Rev. 10/07) 1-8G

HOLE DRILLING CONFIGURATIONS



Slotted Hole Detail

