

**SPECIFICATIONS**

**PARMA 6-1/2"™ WALL MOUNT TUB SPOUT WITH DIVERTER**

**Model**

DA666934

**Description**

- Fits 1/2" copper or 1/2" IPS stub out nipple
- Diverter on spout



**Standards**



- ASME A112.18.1M/A112.18.1

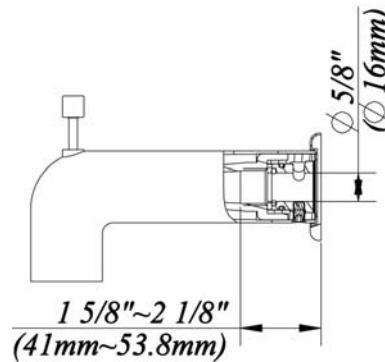
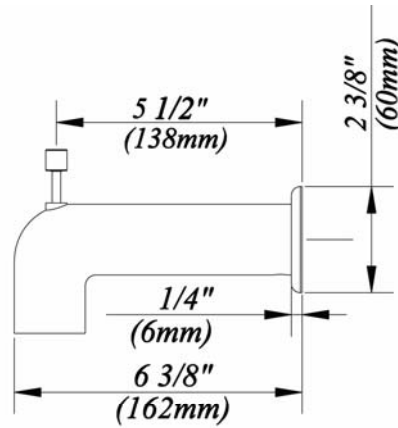
MEETS ASME  
A112.18.1M/ A112.18.1

**Finishes Available**

- Chrome
- Other: Refer to Price List for additional finish

**Model**

Danze products are covered by a manufacturer's limited "lifetime" warranty for manufacturing defects.



**Submittal Information:**

Job Name: \_\_\_\_\_

Location: \_\_\_\_\_

Contractor: \_\_\_\_\_

Contact #: \_\_\_\_\_