

### SPECIFICATIONS

## TOPANGA™ 3 1/2" SHOWERHEAD

### Model

D460041

### Description

- Pressure Manifold™ & Air Injection Technology
- Brass ball joint with polymer shell
- Optimizes water intensity even at low pressures
- With 40 easy clean jets
- Maximum flow rate 1.5 gpm @ 80 psi
- Use 40% less water than a standard showerhead flowing at 2.5 gpm

### Standards

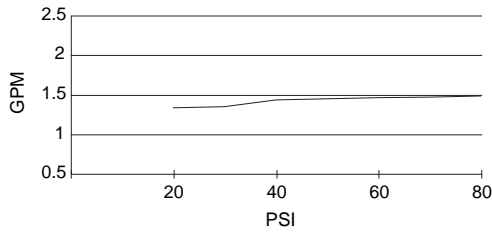


- UPC/cUPC
- Energy policy act of 1992

### Warranty

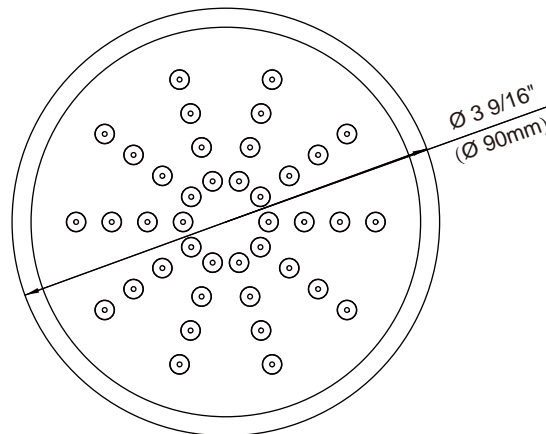
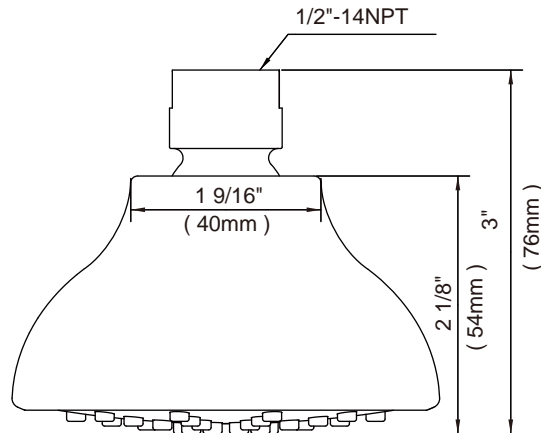
Danze products are covered by a manufacturer's limited "lifetime" warranty for manufacturing defects.

### Flow Rate



### Finishes Available

- Chrome
- Other: Refer to Price List for additional finish



### Submittal Information:

Job Name: \_\_\_\_\_

Location: \_\_\_\_\_

Contractor: \_\_\_\_\_

Contact #: \_\_\_\_\_