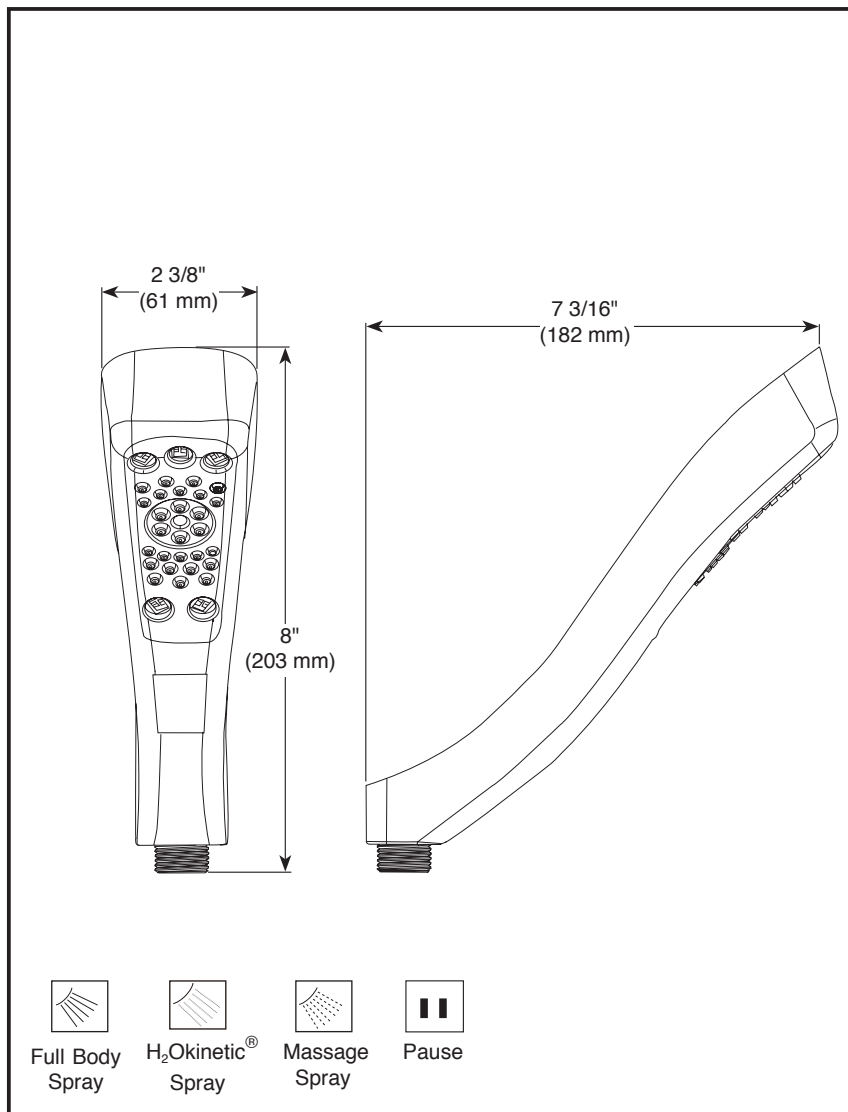


Submitted Model No.: _____

Specific Features: _____



▲ Designate proper finish suffix

Delta reserves the right (1) to make changes in specifications and materials, and (2) to change or discontinue models, both without notice or obligation. Dimensions are for reference only. See current full-line price book or www.deltafaucet.com for finish options and product availability.

DSP-B-59552 Rev. A



HANDSHOWER

- 4-Spray Setting Handshower
- H₂Okinetic[®] Handshower
- Touch-Clean[®] Nozzles
- Certified Dual Check Valves

STANDARD SPECIFICATIONS:

- Hand held shower with four spray patterns and pause feature- not a positive shut-off.
- Standard 1/2" pipe fitting.
- Maximum flow rate 2.0 gpm (7.6 L/min) @ 80 PSI.

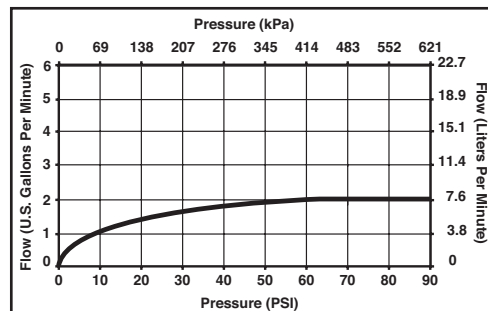
WARRANTY

- Lifetime limited warranty on parts (other than electronic parts and batteries) and finishes; or, for commercial users, for 5 years from the date of purchase.



COMPLIES WITH

- ASME A112.18.1 / CSA B125.1
- EPA WaterSense[®]



55 E. 111th Street, Indianapolis, Indiana 46280
 350 South Edgeware Road, St. Thomas, Ontario Canada N5P 4L1
 © 2014 Masco Corporation of Indiana