

PENINSULA MANTEL TOP AND BASE INSTALLATION INSTRUCTIONS

PENINSULA BASES
EMPB(C,DO,O,N,UH,UO,W)-1

PENINSULA TOPS
EMPT(C,DO,O,N,UH,UO,W)-1

INSTRUCTIONS MUST BE LEFT WITH THE OWNER FOR FUTURE REFERENCE AFTER INSTALLATION.

CARTON CONTENTS

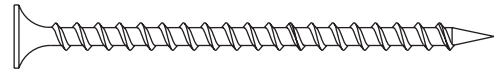
TOP

Top Assembly
Left Mantel Side Assembly - Tall
Right Mantel Side Assembly - Tall
Left Mantel Side Assembly - Short
Right Mantel Side Assembly - Short
Horizontal Girder
Mantel Corner Bracket
Hardware Package
 1 1/4" Drywall Screws
 2 1/2" Drywall Screws
 1/2" Hex Head Screw
Installation Instructions

BASE

Base Assembly
Installation Instructions

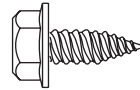
HARDWARE PACKAGE - TOP



2-1/2" PHILLIPS DRYWALL SCREW (4)

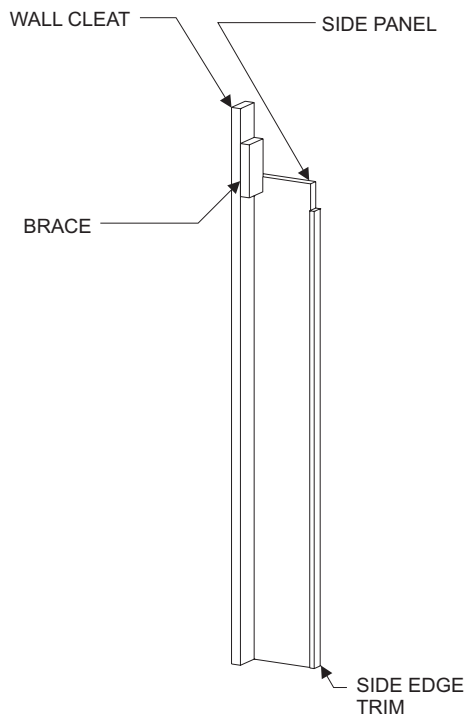


1-1/4" PHILLIPS DRYWALLS SCREW (4)

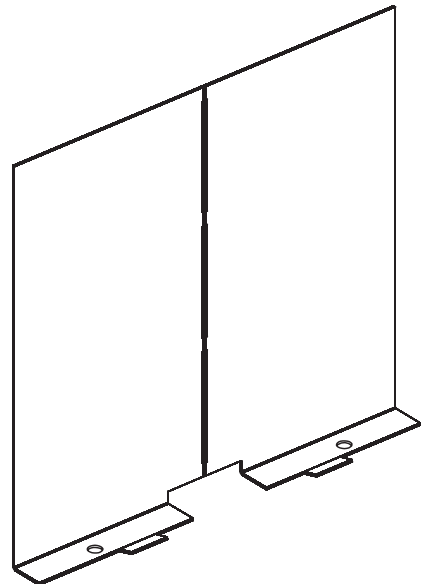


#10 X 1/2" PHILLIPS HEX HEAD SCREW (14)

MANTEL SIDE ASSEMBLY EXAMPLE



MANTEL CORNER BRACKET



INSTALLATION INSTRUCTIONS

NOTE: For Peninsula Mantel Top installation only, begin with Step 2.

NOTE: Assemble in room in which mantel is to be installed.

1. Position unfinished edge of the base flush against the wall in the desired location.

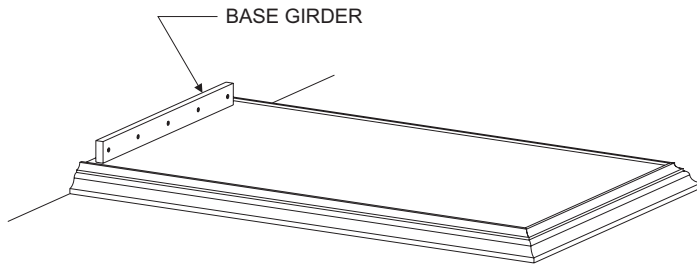


Figure 1

2. Determine the appropriate set of Mantel Side Assemblies for the fireplace. The “short” set is used with the VFP36PP series fireplace and DVP36PP series fireplace models. The “tall” set is used with the VFP36PB series firebox models.
3. Use a horizontal girder to ensure exact spacing between the right and left mantel side assemblies. Place a horizontal girder flush with the outside edge of the wall cleats and align next to braces as shown in figure 2. **NOTE:** For top installation only, place the second horizontal girder flush with the bottom edges of side panels and wall cleats.

1 1/4" DRYWALL SCREWS

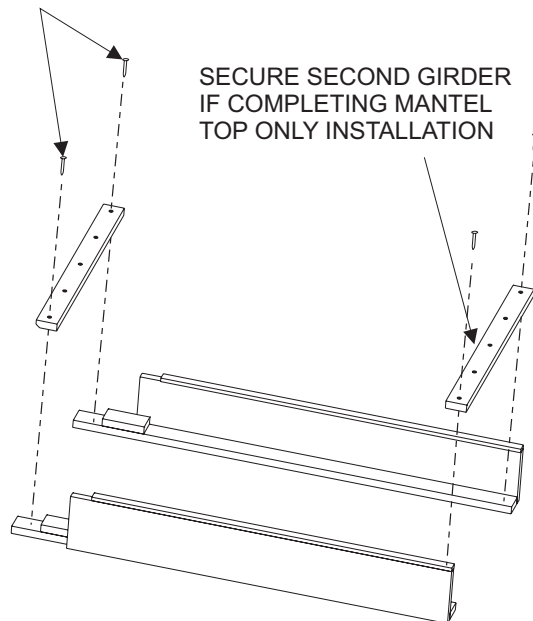


Figure 2

4. Place the completed side assembly on the mantel base flush against the wall and the base girder. The base girder acts as the lower spacer for the mantel side assembly. Secure the mantel base and side assembly by driving two (2) 1 1/4" screws through the outer predrilled holes in the base girder into the mantel side wall cleats. Ensure at least one of the mantel side assembly wall cleats is aligned with a wall stud. Use two (2) 2 1/2" drywall screws (provided) to attach the mantel side assembly to the wall through the wall cleats. Use two (2) additional drywall screws to attach the opposite side of the mantel side assembly to a wall stud through either the wall cleat or the predrilled holes in the horizontal and base girders. **NOTE:** For mantel top installation only, position completed side assembly in the desired location flush against the wall.

CAUTION: Use care not to damage the base assembly or the finish.

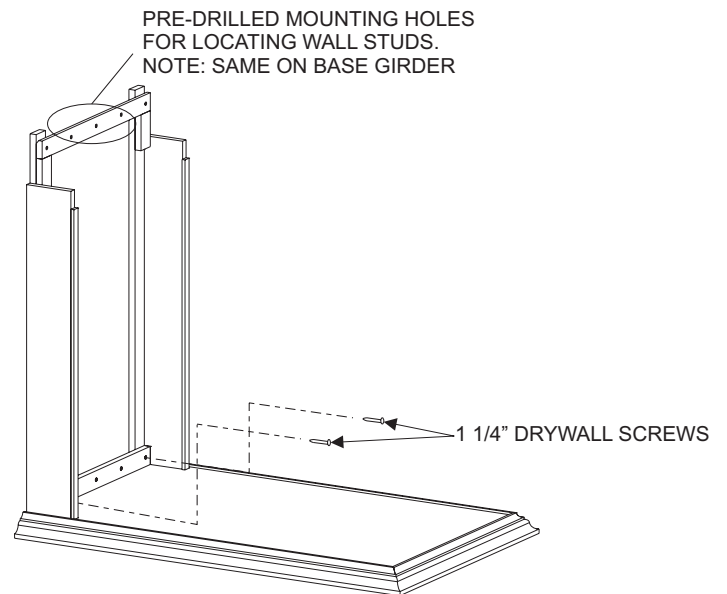


Figure 3

5. Attach the nailing flanges to the rear of the firebox utilizing the predrilled holes in the upper firebox corner with four (4) 1/2" screws. See Figure 4. **NOTE:** The nailing flanges are provided with the fireplace or firebox hardware packet.

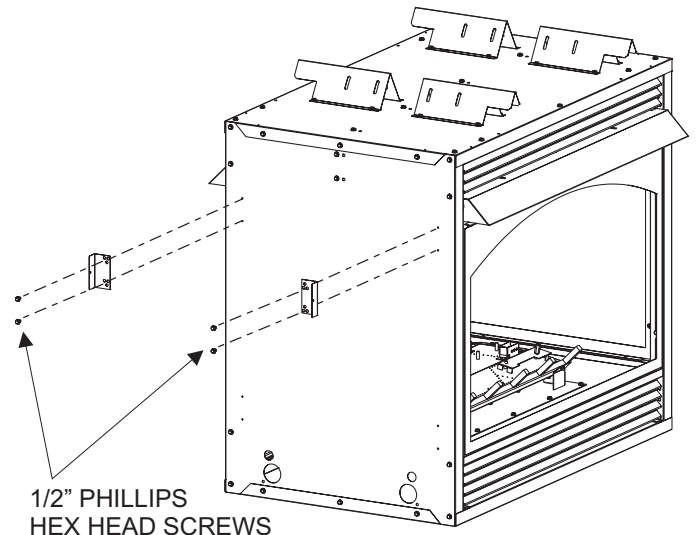


Figure 4

6. Locate the four (4) mantel corner brackets. Wearing gloves, hand bend these brackets to a 90 degree angle as shown in figure below. **NOTE:** The flanges on the brackets should be facing out.

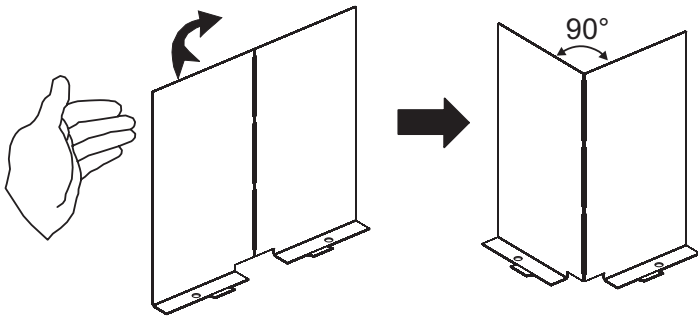


Figure 5

7. Place the fireplace on the mantel base flush to and centered with the completed mantel side assembly. **NOTE:** For top installation only, position fireplace on flooring flush to and centered with the completed mantel side assembly.

CAUTION: Use care not to damage the base assembly or the finish.

8. Use one (1) 1/2" screw per side to secure the mantel side assembly to the firebox mounting brackets.
9. Attach the four (4) mantel corner brackets at the top corners of the Peninsula Fireplace or Firebox with eight (8) 1/2" hex head screws (provided).

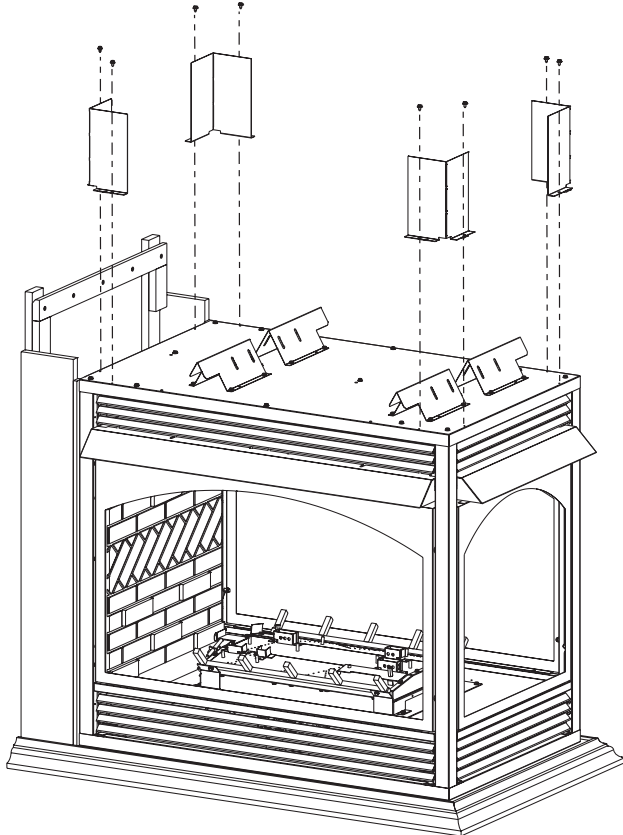


Figure 6

10. Finish installing the fireplace per the fireplace installation instructions.
 11. Place mantel top onto the fireplace and side assembly. Ensure top is flush against the wall.
- CAUTION:** Mantel corner brackets are required to maintain proper positioning of the mantel top. Do not seal or restrict the air space provided by the mantel brackets.
12. Installation is complete.

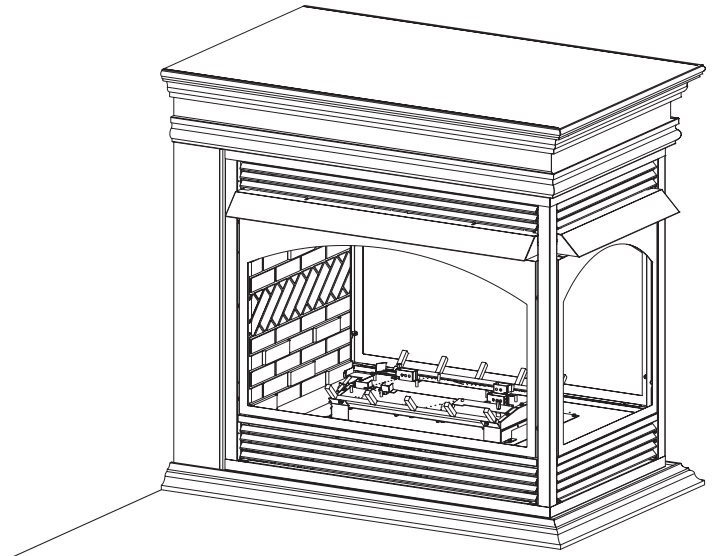


Figure 7



Empire Comfort Systems Inc.
918 Freeburg Ave. Belleville, IL 62220

If you have a general question about our products, please e-mail us at
info@empirecomfort.com.

If you have a service or repair question, please contact your dealer.

www.empirecomfort.com