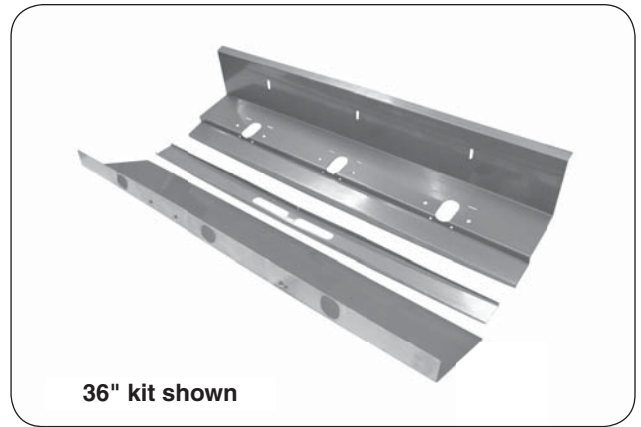




Liner Replacement Kit

INSTALLER: Leave these instructions with consumer.
CONSUMER: Retain for future reference.



Model	Part No.
24"	24-B-41
30"	30-B-41
36"	36-B-41

Table 1

This liner is for replacement on AOG grills. To install, follow the steps below:

1. **Be sure the barbecue is completely cool and the gas is completely shut off.**
2. Remove the warming rack, cooking grids, flavor grids, burners, control panel, and igniters (see Fig. 1-1 and Fig. 1-2). Reference your owner's manual for complete removal details if needed.
3. Clean the interior of the grill of all deposits and grease.
4. Install the middle liner as shown in Fig. 1-3.
5. Install the rear liner and fasten the provided screws as shown in Fig. 1-4.



Fig. 1-1 Grill orientation



Fig. 1-2 Remove grill components

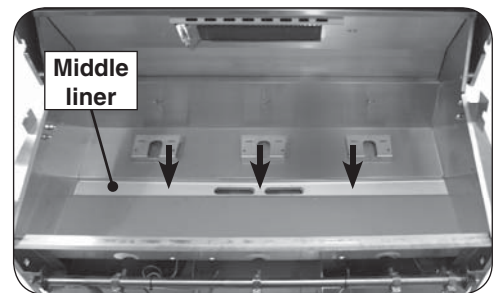


Fig. 1-3 Install middle liner

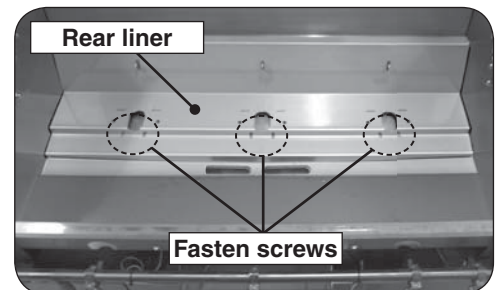


Fig. 1-4 Install rear liner

6. Install the front liner ensuring the front rests flat against the original liner wall (see Fig. 2-1).
7. Install the new igniters into the front liner wall. Each igniter is placed from the interior of the grill, with the exposed area facing towards the burner. Fasten from the opposite side (behind face) using the included nut. Reference Fig. 2-2.
8. Replace all of the components removed for this procedure.

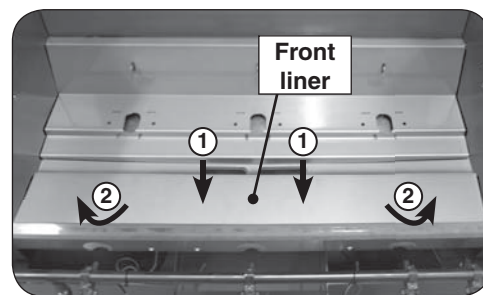


Fig. 2-1 Install front liner

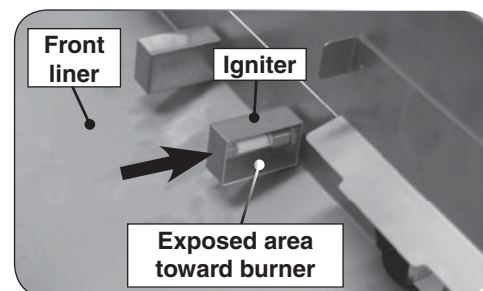


Fig. 2-2 Install igniters