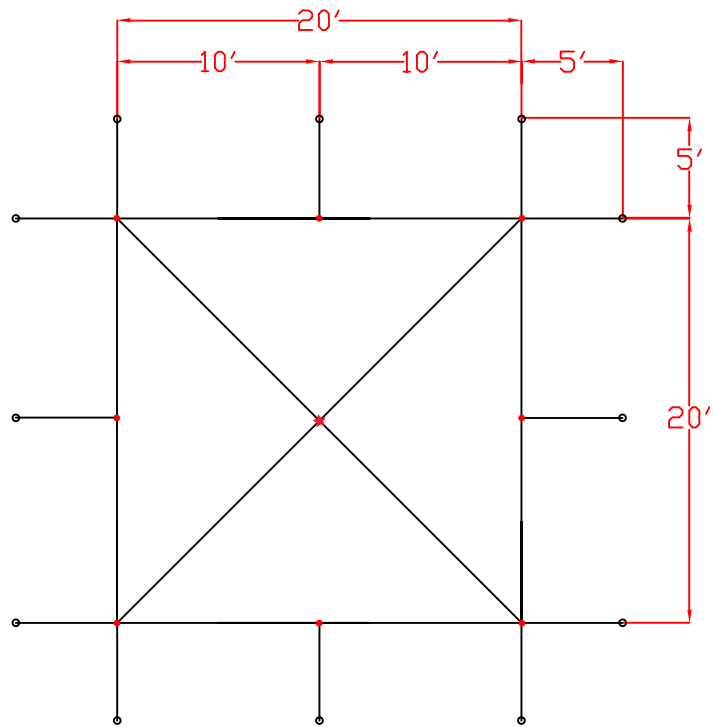


## 20' x 20' (1 Piece) Pole Directions

Pole Tent Accessories		
Description	Size	QTY.
Side Poles	7'	8
Center Pole(s)	14'	1
Stakes	36"	12
Ratchet Buckles	2"	12
Sidewalls	20'	4
Sidewalls	30'	-

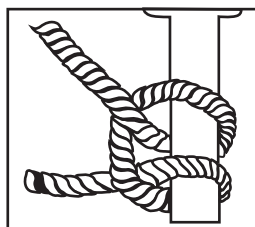
Key	
Symbol	Item Description
●	Side Poles
★	Center Pole
○	Stake / Anchor
—	Ratchet Buckle / Rope



1. Remove tent top from the bag.
2. Unroll and unfold the tent top on the desired spot to be covered. Keep the tent top as square as possible. Pull the perimeter of the tent as tight as possible, the center of the tent top will not be tight or lay flat due to the peak of the tent.
3. Stretch ropes or ratchet straps straight out to their full length.
4. Layout all of the hardware around the tent:
  - Place the stakes approximately 4' from the grommet locations
  - 2 stakes go to each corner location (place 90° apart)
  - 1 stake to the remaining grommet locations
  - 1 ratchet for every stake (disregard if installing a rope tent)
  - 1 pole to each grommet location
  - Connect the 2 piece center pole together
5. Drive all of the stakes into the ground vertically until approximately 6" of the stake is left exposed.
6. Attach the anchoring device (ratchets or ropes) to the stakes at the corner locations.

**- Ratchets-** turn the 6" loop at the end of the ratchet inside out and pull the strap through the loop to create a noose and pull tight over the stake. Take the strap from the tent and pull it through the reel bars slot of the ratchet (ratchet buckle needs to have handle facing upward at all time) and pull the strap back towards the tent approximately 1 ½ feet. Hold the strap at this point with one hand and begin to crank the ratchet handle back and forth with the other hand until the reel bars have turned at least 2 times, this eliminates the chance of slippage. Repeat at all 8 corner locations.

**- Ropes-** use a Double Loop Clove Hitch Knot - grip the rope in your left hand approximately 8' down from the grommet, at this point, take your right hand and create a loop (approximately 6") with the excess rope and place it in your left hand. Repeat and create another loop and place on the right side of the previous loop (should have 2 and half loops in your left hand). Take the right loop and pull it up and over so it is now on the left side. Now place both loops over the stake and pull tight with the excess rope. Repeat at all 8 corner locations.



## 20' x 20' (1 Piece) Pole Directions

7. The corner poles are now ready to be erected. Insert the pole pin through the metal “O” ring and the brass grommet (Very Important that the pin goes through both holes). Set the corner poles so that they are leaning in towards the tent at about a 60°-75° angle. Repeat at all 4 corners. When all the corner poles are up in the air, a good portion of the weight has been lifted, and easier access has been provided to the center of the tent.

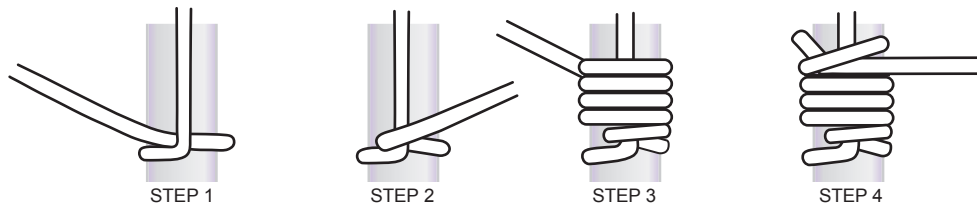
8. Insert the center pole tip through the center “O” ring and brass grommet; make sure that the pin is not caught on any part of the tent top. Push the center pole into a vertical position.

9. Tighten all corner ratchet buckles until the corner poles are vertically straight up and down. The perimeter of the tent should be taut.

10. Straighten the center pole so it is setting vertical straight up and down. To do this corner ratchets may need to be loosened.

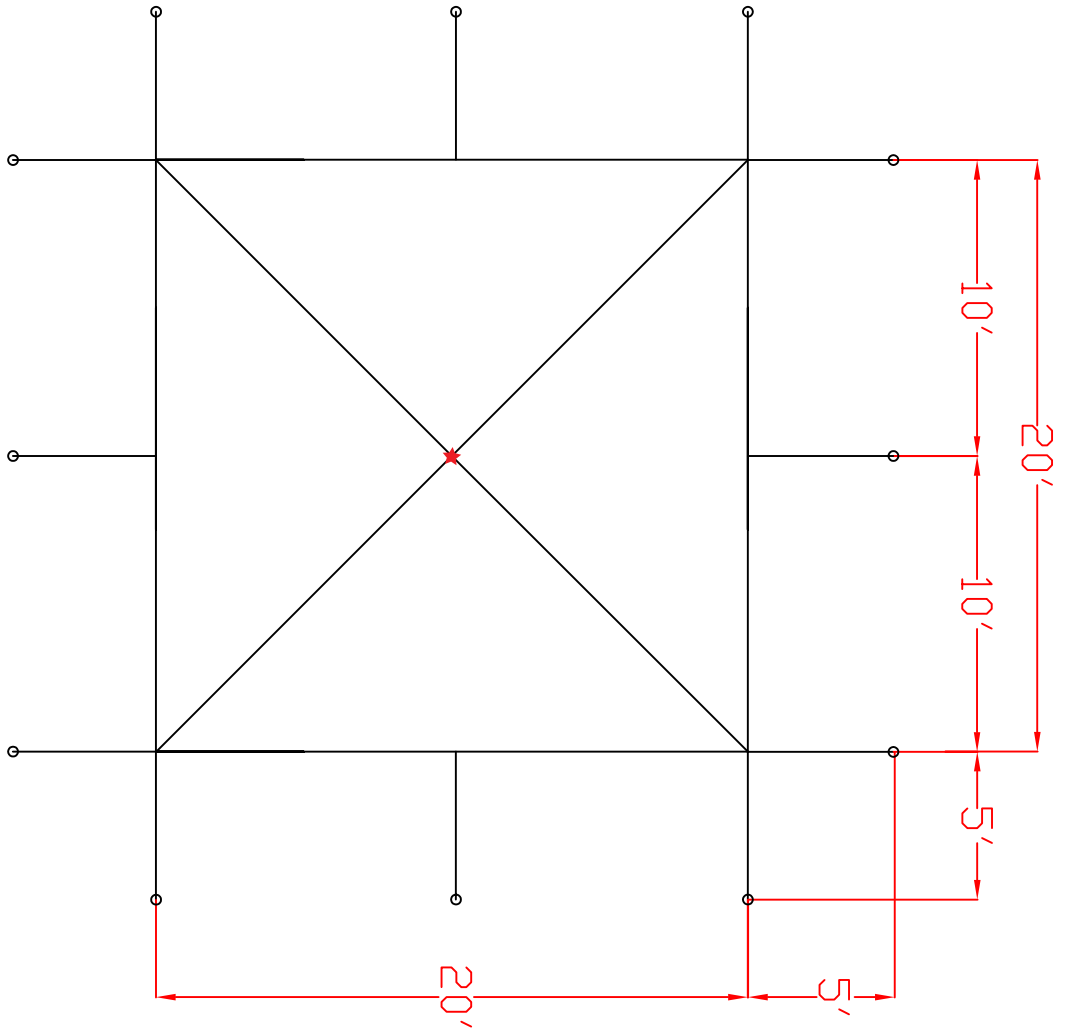
11. At this point the tent top should be erect, with the corner poles and center pole vertically straight. The tent is now ready, for the remaining side poles to be added. Insert the pole pins, at each location, through the “O” ring and brass grommet and place the poles in a straight vertical position. Tighten the ratchet buckles or ropes to secure the poles.

12. Tie off the jump rope attached at each side pole location. This rope is used to keep the side pole in place in the wind so that the tent does not lift off the side pole pin. Secure the jump rope by pulling it six to twelve inches down the pole, bringing it around the pole and then between the pole and the rope itself. Pull it back taut to create tension on the vertical length. Now wrap the rope around the pole and vertical portion of the jump rope creating a tight coil that keeps the rope from slipping up. On the last coil, pull the end of the rope through to tie it off. (see diagram). Repeat steps for the center pole at eye level (5-6 feet).



13. The tent top should now be complete! If sidewalls are desired, unroll the sidewalls between the stakes and the side poles around the perimeter of the tent. Starting at a side pole, clip the sidewall snap hooks to the rope line that is attached to the tent top.

# 20' x 20' (1 Piece) Pole Directions



## 20' x 20' - One Piece Classic Pole Staking Layout

Note: This is a recommended staking layout for good clay soil condition. It is always the experienced tent installers responsibility to decide on the appropriate number of stakes to safely anchor the tent.

NOTE: THIS DRAWING IS PRIVILEGED INFORMATION AND IS THE PROPERTY OF CELINA TENT, INC. ANY USE AND OR REPRODUCTION OF THIS DRAWING WITHOUT THE EXPRESS WRITTEN CONSENT OF CELINA TENT, INC. IS STRICTLY PROHIBITED



[www.CelinaTent.com](http://www.CelinaTent.com)

5373 State Route 29, Celina, OH 45822

PH: 419-586-0892 FAX: 419-584-1275

20' x 20' Pole Tent Staking

DATE: 01-07-10

DRAWN BY: A.B.

