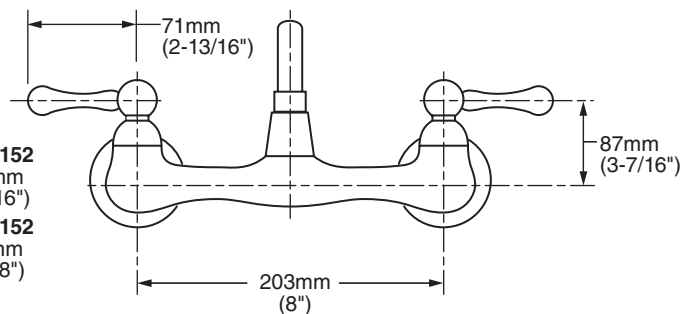
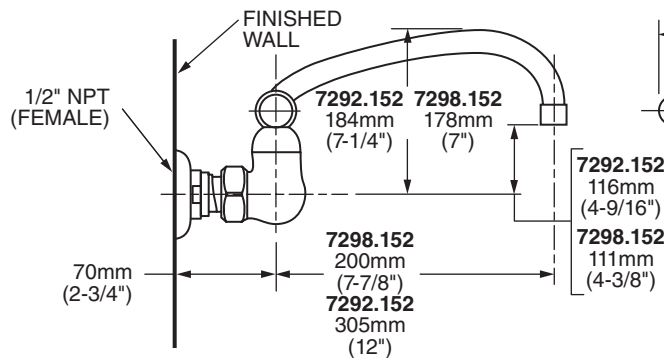
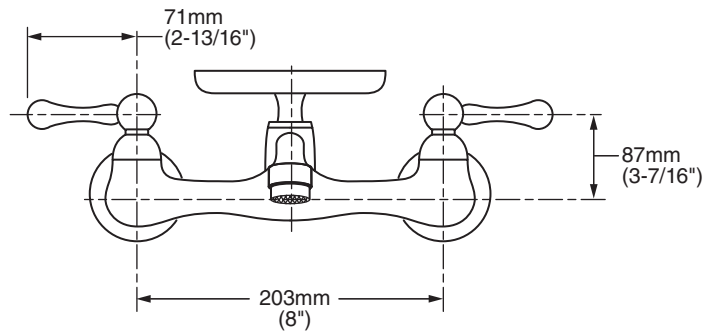
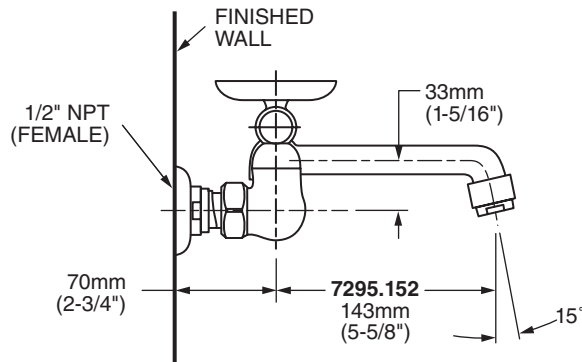


MODEL NUMBER:

- 7295.152 Wall-Mount Sink Faucet**
5-5/8" cast swivel spout. Brass Lever Handles. Soap dish.
- 7298.152 Wall-Mount Sink Faucet**
8" tubular swivel spout. Brass Lever Handles. Less soap dish.
- 7292.152 Wall-Mount Sink Faucet**
12" tubular swivel spout. Brass Lever Handles. Less soap dish.



GENERAL DESCRIPTION:

Durable brass construction throughout. Amaris 1/4 turn washerless ceramic disc valve cartridges. One-half inch NPT female inlets with brass coupling nuts. 2.2gpm/8.3L/min. maximum flow rate.

PRODUCT FEATURES:

Ceramic Disc Valve Cartridges: Assures a lifetime of drip-free performance.

Solid Brass Construction: Durable - Excellent in high use applications. Ideal for prolonged contact with water.

Low Lead: Meets NSF Standard 61/Section 9 & Prop 65 lead requirements.

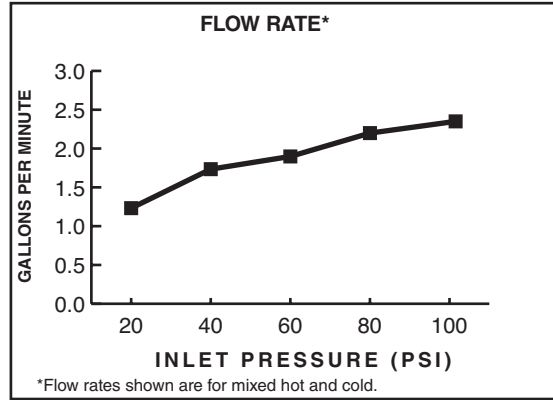
SUGGESTED SPECIFICATION:

Wall-mount sink faucet shall be cast brass construction with all brass coupling nuts. Shall also feature 1/4 turn washerless ceramic disc valve cartridges. Fitting shall be American Standard Model # _____.

CODES AND STANDARDS

These products meet or exceed the following codes and standards:

- ANSI A117.1**
- ASME A112.18.1**
- CSA B 125**
- NSF 61/Section 9**



Product Number	Description	Finish
		Polished Chrome 002
7295.152	Wall-mount sink faucet. 5-5/8" cast swivel spout. Brass Lever Handles. Soap dish.	
7298.152	Wall-mount sink faucet. 8" tubular swivel spout. Brass Lever Handles. Less soap dish.	
7292.152	Wall-mount sink faucet. 12" tubular swivel spout. Brass Lever Handles. Less soap dish.	

 MEETS THE AMERICANS WITH DISABILITIES ACT GUIDELINES AND ANSI A117.1 REQUIREMENTS FOR ACCESSIBLE AND USABLE BUILDING FACILITIES-CHECK LOCAL CODES