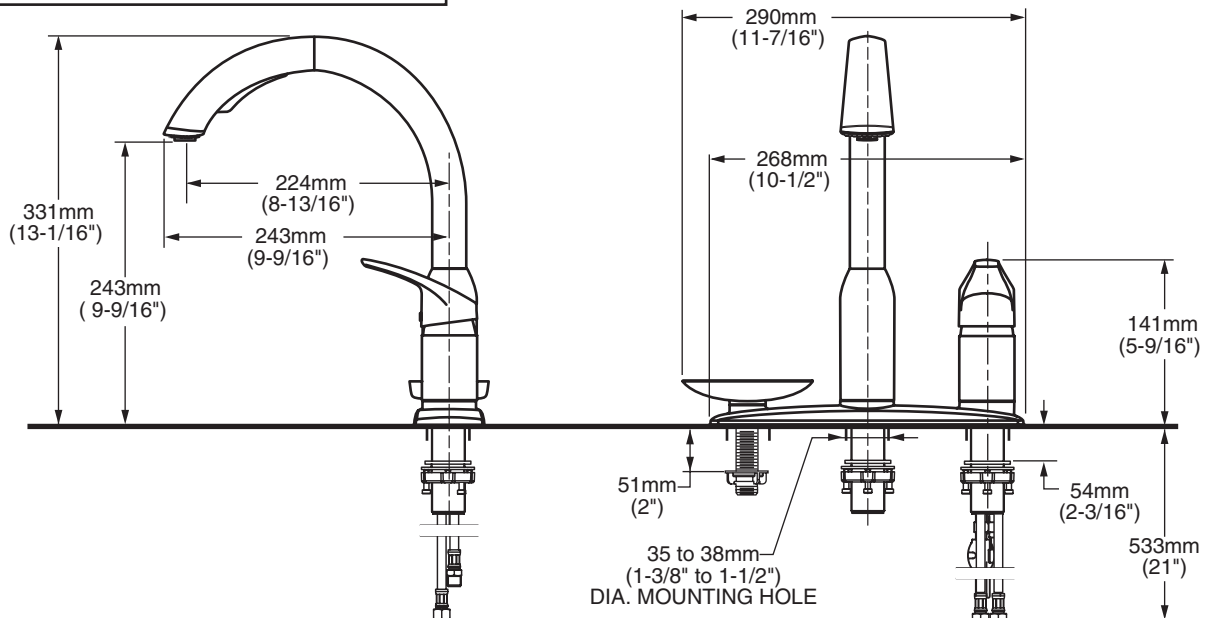


**MODEL NUMBER:**

- 4101.350 Kitchen Faucet with Pull-Out Spray**
- 4101.351 Kitchen Faucet with Pull-Out Spray**  
With deck plate and removable soap dish.



**GENERAL DESCRIPTION:**

Brass body with brass swivel spout. Pull-out spray spout with adjustable spray pattern and toggle button activation. Nylon reinforced hose is 48" (1250mm) long. Washerless 40mm ceramic disc valve cartridge. Braided flexible supply hoses with 3/8" compression connections. 2.2 gpm/8.3L/min. maximum flow rate.

**PRODUCT FEATURES:**

**Ceramic Disc Valve Cartridge:** Assures smooth, precise valve control and a lifetime of drip-free, maintenance-free performance.

**Brass Construction:** Highest quality materials for durability & long life.

**Memory Position Valving:** Allows user to turn valve on and off at preferred temperature setting without readjusting handle position each time.

**Lead Free:** Faucet contains ≤ 0.25% total lead content by weighted average.

**Pull-out Spray:** With toggle button activation. Adjustable spray patterns - stream to spray.

**Integral Check Valves:** Prevents back flow.

**Choice of Finishes:** Available in Polished Chrome or Stainless Steel (PVD).

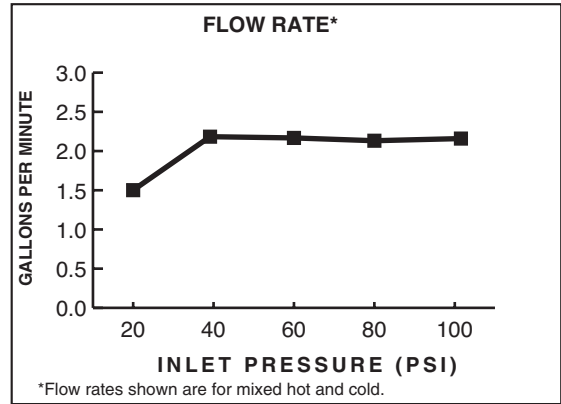
**SUGGESTED SPECIFICATION:**

Single control kitchen faucet shall feature a brass swivel spout, metal lever handle and a pull-out spray with toggle button activation. Shall also feature washerless ceramic disc valve cartridge, flexible supply hoses and two integral check valves. Fitting shall be American Standard Model # 4101.35\_\_\_\_\_


**CODES AND STANDARDS**

These products meet or exceed the following codes and standards:

- ANSI A117.1**
- ASME A112.18.1**
- CSA B125**
- NSF 61 / Section 9 & Annex G**



Product Number	Description	Finish Options	
		Polished Chrome	PVD Stainless Steel
		002	075
4101.350	Hi flow Pull-out kitchen faucet		
4101.351	Same as above with escutcheon plate and removable soap dish		

 Meets the American Disabilities Act Guidelines and **ANSI A117.1** Requirements for the physically challenged.