

# INSTALLATION INSTRUCTIONS

*American Standard*

Style That Works Better

## Siphonic Dual Flush Two-Piece Toilet Models 2886 / 2887 / 2889 / 3380 / 3381 / 2888



Thank you for selecting American Standard – the benchmark of fine quality for over 100 years. To ensure this product is installed properly, please read these instructions carefully before you begin. (Certain installations may require professional help.) Also be sure your installation conforms to local codes.

**⚠ CAUTION: PRODUCT IS FRAGILE. TO AVOID BREAKAGE AND POSSIBLE INJURY HANDLE WITH CARE!**

NOTE: Pictures may not exactly define contour of china and components.

### RECOMMENDED TOOLS AND MATERIALS

Putty Knife	Regular Screwdriver	Adjustable Wrench	Sealant	Tape Measure
Hacksaw	Wax Ring/Gasket	Flexible Supply Tube	Closet Bolts	Carpenters Level

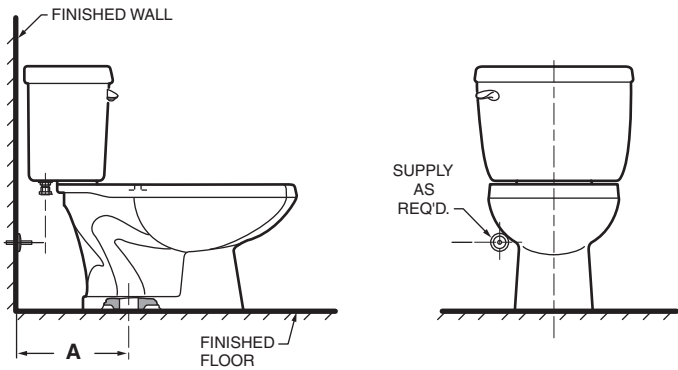
#### 1 REMOVE OLD TOILET

- Close toilet supply valve and flush tank completely. Towel or sponge remaining water from tank and bowl.
- Disconnect and remove supply line. NOTE: *If replacing valve, first shut off main water supply!*
- Remove old mounting hardware, remove toilet and plug floor waste opening to prevent escaping sewer gases.
- Remove closet bolts from flange and clean away old wax, putty, etc. from base area.

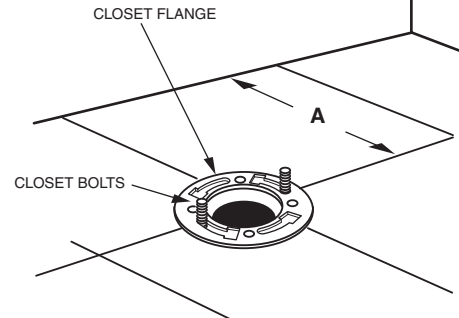
NOTE: *Mounting surface must be clean and level before new toilet is installed!*

#### 2 ROUGHING-IN DIMENSIONS:

NOTE: *Distance from wall to closet flange centerline must be as listed below:*  
A = 12" (305mm)



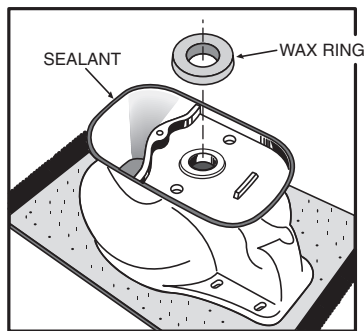
#### 3



#### INSTALL CLOSET BOLTS

Install closet bolts in flange channel and slide into place parallel to wall.

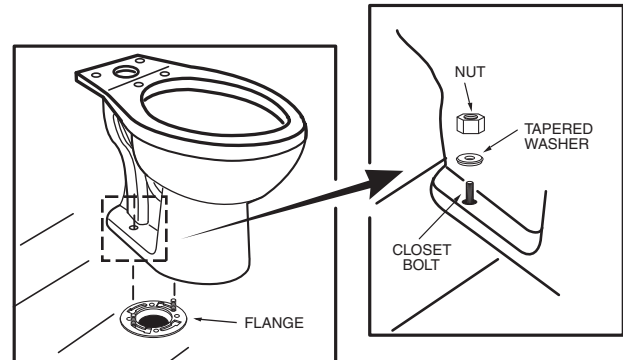
#### 4



#### INSTALL WAX SEAL

Invert toilet on floor (cushion to prevent damage), and install wax ring evenly around waste flange (horn), with tapered end of ring facing toilet. Apply a thin bead of sealant around toilet base.

#### 5

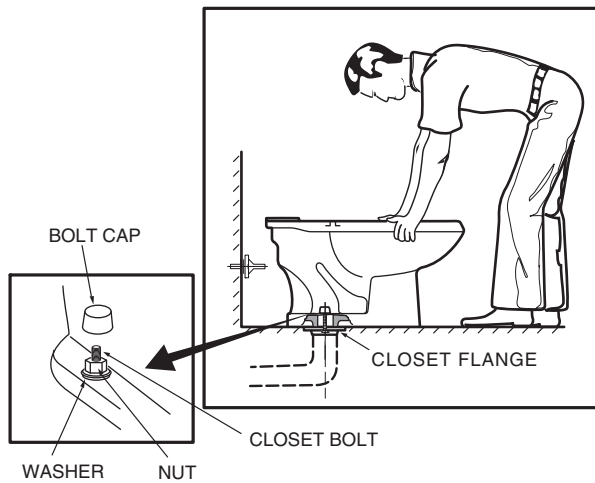


#### POSITION TOILET ON FLANGE

- Unplug floor waste opening and install toilet on closet flange so bolts project through mounting holes.
- Loosely install retainer washers and nuts. Side of washers marked "THIS SIDE UP" must face up!

USE  
FOR  
FUTURE  
SAVE

6

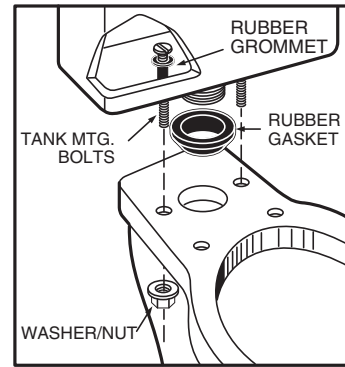
**INSTALL TOILET**

- Position toilet squarely to wall and, with a rocking motion, press bowl down fully on wax ring and flange. Alternately tighten nuts until toilet is firmly seated on floor.

**CAUTION:**  
DO NOT OVERTIGHTEN NUTS  
OR BASE MAY BE DAMAGED!

- Install caps on washers. (If necessary, cut bolt height to size before installing caps.)
- Smooth off the bead of sealant around base. Remove excess sealant.

7

**INSTALL TANK**

- Insert rubber grommets through holes in the tank then insert bolts through holes in the grommets.
- Install large rubber gasket over threaded outlet on bottom of tank and lower tank onto bowl so that tapered end of gasket fits evenly into bowl water inlet opening.
- With tank parallel to wall, alternately tighten nuts until tank is snugged down evenly against bowl surface.

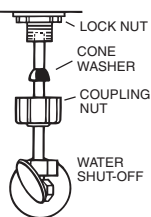
**CAUTION:**  
DO NOT OVERTIGHTEN NUTS MORE  
THAN REQUIRED FOR A SNUG FIT!

8

**INSTALL TOILET SEAT** Install toilet seat in accordance with manufacturer's directions.

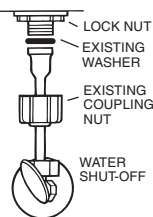
9a

Before continuing, determine the type of water supply connection you have from the chart below and use the appropriate assembly parts required to properly reconnect the water supply.

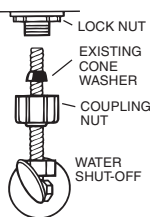
**METAL/COPPER FLARED TUBING**

These parts must be used as illustrated to insure water-tight connection. Use of existing coupling nut may result in water leakage. Water supply tube or pipe must extend at least 1/2" inside threaded shank of valve (does not apply to flanged tubing).

**CAUTION: DO NOT USE CONE WASHER WITH PLASTIC SUPPLY LINE.**

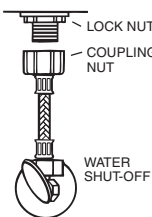
**METAL FLANGED TUBING**

Use existing coupling nut and washer.

**METAL SPIRAL TUBING**

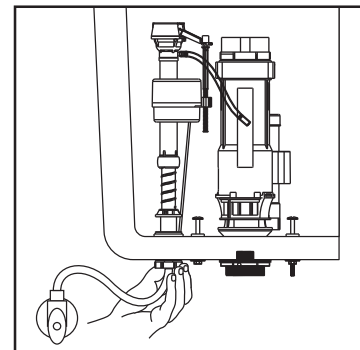
Use existing spiral cone washer. Fluidmaster cone washer may not seal completely on spiral type supply line.

**CAUTION: Overtightening of LOCK NUT or COUPLING NUT could result in breakage and potential flooding.**

**VINYL/BRAIDED CONNECTOR**

Captive cone washers already included. No additional washers needed.

9b



With correct washers in place (see Step 9a), tighten **COUPLING NUT** 1/4 turn beyond hand tight.

**DO NOT OVERTIGHTEN.**

**WARNING:** Do not use plumber's putty, pipe dope, or any other sealant on the water supply connection to this tank. If the connection leaks after hand tightening, replace the supply line. If the connection continues to leak with the new supply line, replace the fill valve.  
**Warranty is void if any type of sealant is used on the water supply connection.**

10

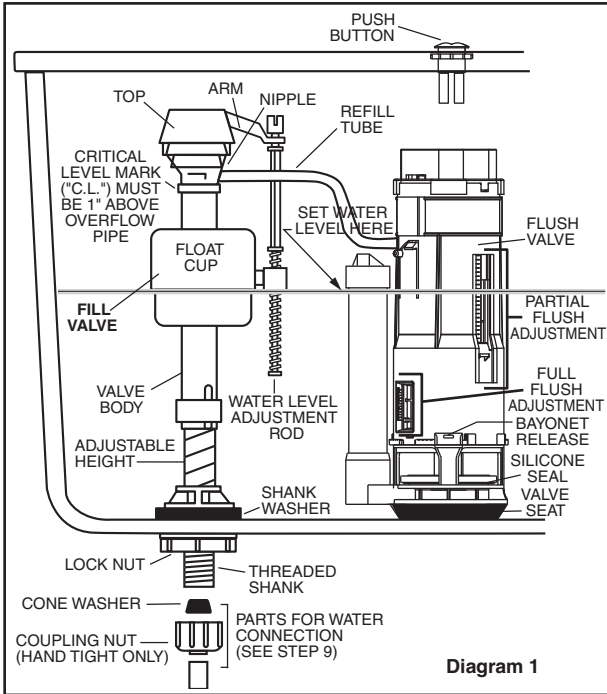


Diagram 1

**ADJUSTMENTS**

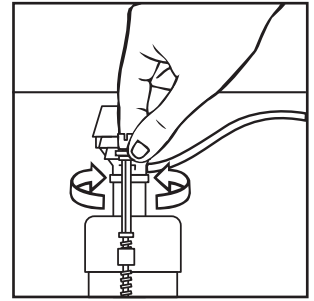
- a. Adjust water level. Water level should be adjusted to level indicated on tank by adjusting float cup.  
See Step 11 for water level adjustment method.
- b. Flush Valve Setting Adjustments:

Flush Valve Setting Adjustments	Without Liner Tank #	With Liner Tank #
	4349.216	4349.516
	4348.216	4348.516
	4339.216	4339.516
Full Flush Adjustment	2	4
Partial Flush Adjustment	2.5	4.5

**NOTE:** All other settings will result in either more or less water and is not recommended.

- To remove Flush Valve, apply slight downward pressure and twist it until the flush valve disengages from the bayonet.
- To reinstall Flush Valve, reverse the above procedure making sure the blue (Small Flush Button) will line up with the Small Flush Button with 3 dots on the Tank Lid.

11

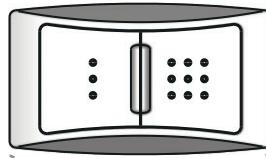


Turn on water supply. Submerge the FLOAT CUP under the water for 30 seconds. Adjust the water to desired level by turning WATER LEVEL ADJUSTMENT ROD and moving FLOAT CUP up or down.

**12 FLUSH BUTTONS ON TANK**

Pressing both buttons at once will flush the small flush amount 0.9 gal/flush or 3.4 L/flush. The **Small Flush Button (with 3 dots)** should line up over the **blue actuator** on the flush tower in the tank. The **Large Flush Button (with 9 dots)** should line up over the **white actuator** on the flush tower in the tank.

Small Flush Button (with 3 dots) for liquid waste.  
1.0 gal/flush  
3.8 L/flush

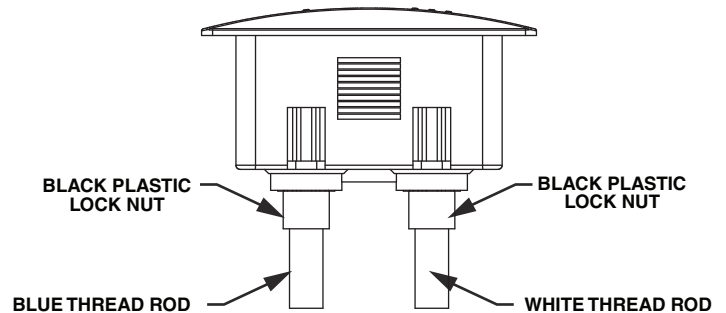


Large Flush Button (with 9 dots) for solid waste.  
1.6 gal/flush  
6 L/flush

**TIPS:**

If the flush doesn't flush properly, after eliminating other causes, remove the tank lid and directly push the flush button in the tank. If the flush works you will need to adjust the push button mounted on the tank lid with the settings as follows:

1. Turn the lid upside down.
2. Loosen the black plastic lock nut.
3. Adjust the white threadrod one turn counterclockwise.
4. Re-tighten the black plastic lock nut.
5. Put lid back on tank and test. If it is still not flushing properly, repeat steps 1 through 4 until the problem is resolved.
6. If one counterclockwise turn is too much and causes the flush valve to stay open, adjust 1/2 turn clockwise and return to step 4.



**CARE AND CLEANING**

When cleaning your toilet, wash it with mild, soapy water, rinse thoroughly with clear water and dry with a soft cloth. Avoid detergents, disinfectants, or cleaning products in aerosol cans. NEVER use abrasive scouring powders or abrasive pads on your toilet seat. Some bathroom chemicals and cosmetics may damage the seat's finish.

**WARNING:** Do not use in-tank cleaners. Products containing chlorine (calcium hypochlorite) can seriously damage fittings in the tank. This damage can cause leakage and property damage.

**American Standard shall not be responsible or liable for any tank fitting damage caused by the use of cleaners containing chlorine (calcium hypochlorite).**

## REPAIR PARTS LIST

Repair parts are determined by toilet tank number which can be found marked inside tank.  
**NOTE:** "XXX" represents color or trim finish options. Specify when ordering.

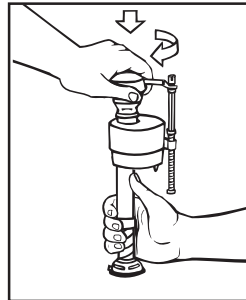
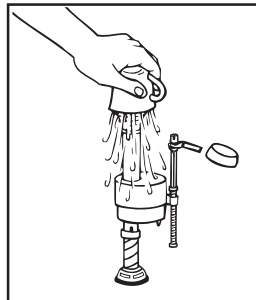
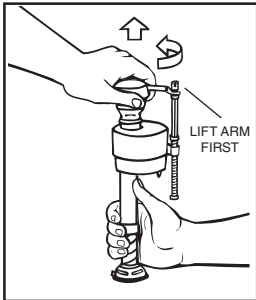
## TANK NUMBER

4349.216 4348.216 4339.216 Without Liner	4349.516 4348.516 4339.516 With Liner
---	--

PART NO.	DESCRIPTION		
735138-400-XXX	TANK COVER	✓	✓
7381092-200.XXX0A	RECTANGLE PUSH BUTTON	✓	✓
7381091-400.0070A	DUAL FLUSH VALVE	✓	
7381091-401.0070A	DUAL FLUSH VALVE		✓
738565-429.0070A	FLUIDMASTER BASE VALVE 12"	✓	✓
738657-100.0070A	REFILL TUBE	✓	
738657-101.0070A	REFILL TUBE		✓
7381042-0070A	FLUSH VALVE SILICONE SEAL	✓	✓
034783-XXX0A	BOLT COUPLING KIT	✓	✓
7301476-100.0070A	TANK COUPLING KIT	✓	✓

### 13

**NOTE: Pictures are representative and may not exactly depict the flush valve.**



**IMPORTANT: Always clear sand and rust from system.**

- Make sure water supply is off. Remove valve TOP by lifting arm and rotating top and arm 1/8 turn counterclockwise, pressing down slightly on cap.

- While holding a container over the uncapped VALVE to prevent splashing, turn water supply on and off a few times. Leave water supply off.

- Replace TOP by engaging lugs and rotating 1/8 turn clockwise. MAKE CERTAIN TIP IS TURNED TO THE LOCKED POSITION. VALVE MAY NOT TURN ON IF TOP IS NOT FULLY TURNED TO THE LOCKED POSITION.

Always use quality Fluidmaster repair parts when maintaining your Fluidmaster products. Fluidmaster shall not be responsible or liable for any damages caused by products used with Fluidmaster valves that were not manufactured by Fluidmaster, Inc.

### TROUBLESHOOTING

**IF FILL VALVE SHUTS OFF BUT CONTINUES TO LEAK SLOWLY,** repeat Step 13.

**IF FILL VALVE TURNS OFF AND ON DURING PERIODS OF NON-USE,** it is a signal you are wasting water because:

- The end of the refill tube is inserted into overflow pipe, below water level in tank. Attach refill tube to overflow pipe using "S" clip provided.
- The flush valve is leaking because it's worn, dirty or misaligned with tank ball or flapper (replace with a new flapper).

**IF FILL VALVE WON'T TURN ON OR SHUT OFF or REFILL OF TANK WATER IS SLOW after valve has been in use for some time,** Fluidmaster Model 242 Replacement Seal may be needed.

Go to our website at [www.fluidmaster.com](http://www.fluidmaster.com) for more solutions to toilet problems.

For troubleshooting information please contact:

**Fluidmaster Inc**

30800 Rancho Viejo Road  
 San Juan Capistrano, CA 92675  
 (949) 728-2000 (800) 631-2011  
[www.fluidmaster.com](http://www.fluidmaster.com)

© 2001 Fluidmaster, Inc.  
 © Registered trademark of Fluidmaster, Inc.

### TROUBLESHOOTING GUIDE

PROBLEM	POSSIBLE CAUSE	CORRECTIVE ACTION
Does not flush	a. Water supply valve closed. b. Supply line blocked.  c. Push button not properly set. d. Sand or debris lodged in water control.	a. Open valve and allow water to fill tank. b. Shut off water supply, disconnect supply line, and inspect all gaskets and washers. Reassemble. Also, see Fluidmaster maintenance (see step 13). c. Readjust push button rod length as required. Refer to step 12. d. Shut off water supply. Remove cap and clean per Step 13.
Poor or sluggish flush	a. Bowl water level too low. b. Supply valve partly closed. c. Partially clogged trapway and/or drain pipe and/or vent. d. Supply pressure too low.	a. Check that refill tube is connected to water control and inserted into refill float without being kinked or damaged. b. Open supply valve fully. Be sure that proper supply tube size is used. c. Remove obstruction. Consult a plumber if necessary. d. Normal supply pressure must be at least 20 psi.
Toilet leaks	a. Poor supply line connection. b. Poor bowl to tank/floor connection.	a. Review Step 9 of installation procedure. b. Review Step 4 through 7 of installation procedure.
Toilet does not shut off	a. Push button rod is too long, holding flush valve open. b. Flush valve seat and/or seal worn or deformed. c. Sand or debris lodged in water control.	a. Readjust rod as needed. Review step 12. b. Replace seal/flush valve assembly, as needed. c. Shut off water supply. Remove cap and clean per Step 13.