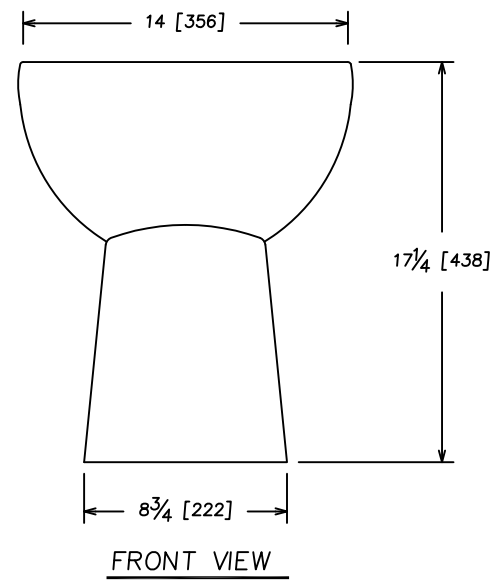
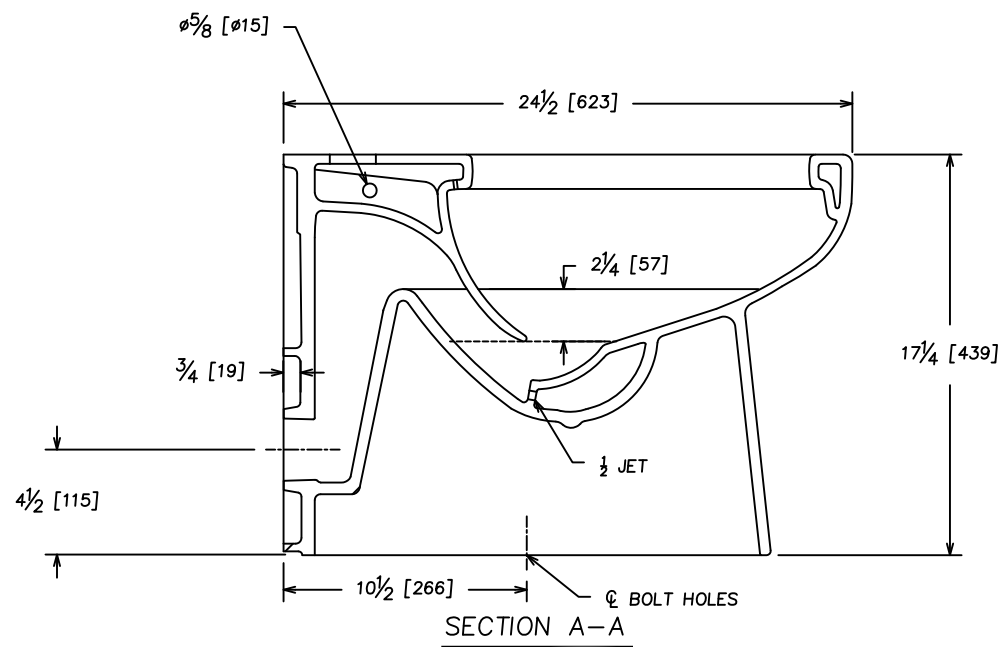
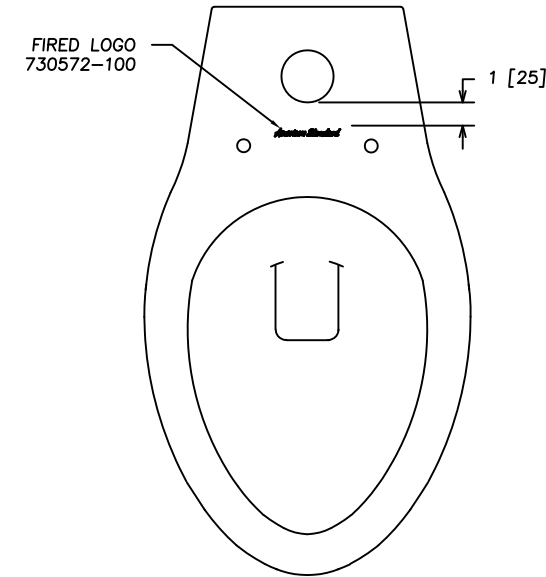
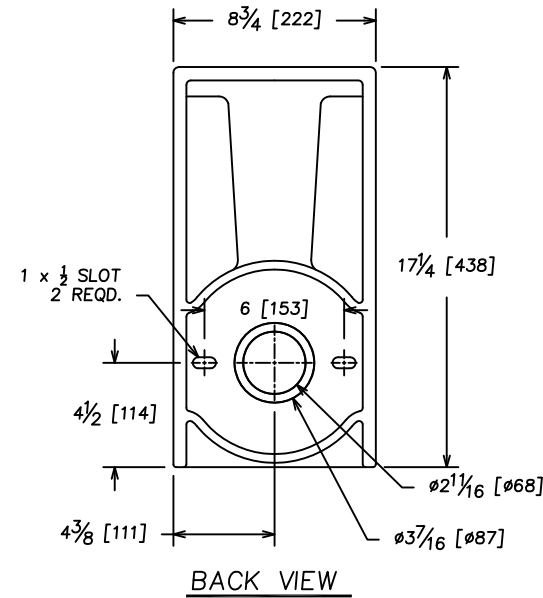
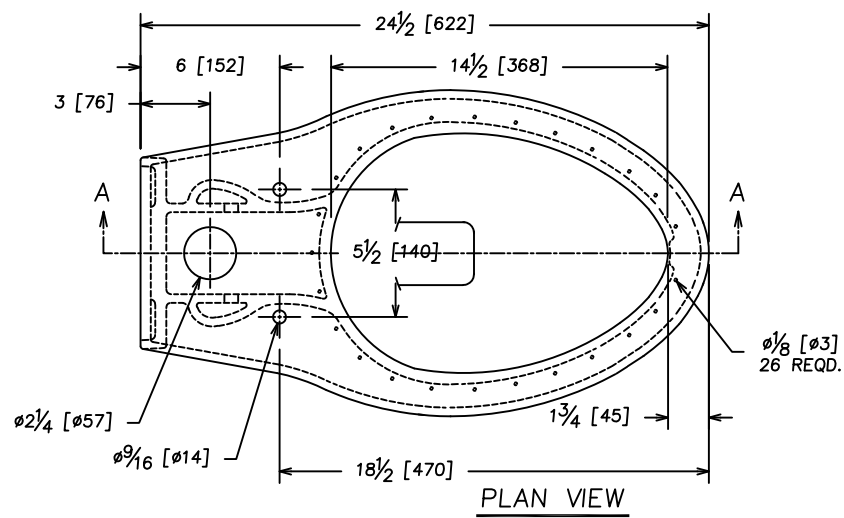


	= CRITICAL
	= MAJOR
	= MINOR

THIS DRAWING AND THE INVENTION, DESIGN, AND DETAIL SHOWN THEREON ARE PROPRIETARY AND CONFIDENTIAL PROPERTY OF AMERICAN STANDARD AND MUST NOT BE USED EXCEPT IN CONNECTION WITH ITS WORK. ALL RIGHTS IN RESPECT THEREOF ARE HEREBY EXPRESSLY RESERVED. THIS DRAWING IS SUBJECT TO PROMPT RETURN UPON DEMAND BY AMERICAN STANDARD.

REVISION LIST			
REV.	DATE	E.C.N.	APP'D
A	05/18/11	15812	DY



NOTES: UNLESS OTHERWISE SPECIFIED.

- 3313 (7301750-402) NOT SHOWN
- HURON 3312 IS REBRANDED CRANE SAN WALTON 31080
- HURON 3313 IS REBRANDED CRANE SAN WALTON 31081

P/N	DESCRIPTION		
7301750-402	BOWL, RH EL W/ BPL, AMERICAN STANDARD HURON 3313		
7301750-401	BOWL, RH EL, AMERICAN STANDARD HURON 3312		
TOLERANCES UNLESS SPECIFIED (COMMON STOCK SIZES EXCLUDED) DIMENSIONING & TOLERANCING IAW: ASME Y14.5M		REPAIR PART NO.	
DECIMALS DO NOT SCALE THIS DRAWING. WORK TO SPECIFIED DIMENSIONS ONLY. ALL DIMENSIONS ARE IN INCHES UNLESS OTHERWISE SPECIFIED		HURON RH EL SERIES BOWL	
2-PLACE: ± 3-PLACE: ± FRACTIONS: ± ANGLES: ±		MATERIAL VITREOUS CHINA	
THIRD ANGLE PROJECTION		FINISH	
SIZE D		DRAWN BRM CHECKED DY	
APPROVED		DATE 05/09/11	
SUPERSEDES		DRAWING NUMBER	
PAGE 1 OF 1		SCALE FULL	
		7301750-400	
		REV. A	

American Standard
BATH & KITCHEN