

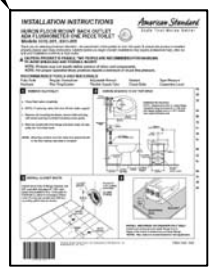
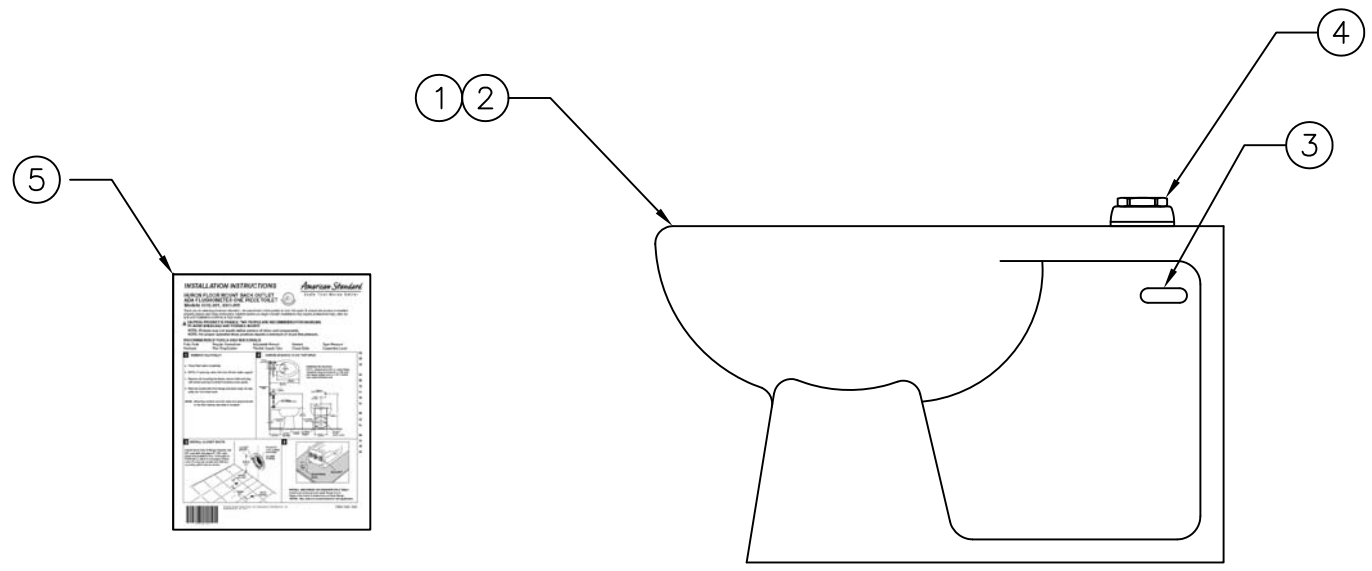
	= CRITICAL
	= MAJOR
	= MINOR

THIS DRAWING AND THE INVENTION, DESIGN, AND DETAIL SHOWN THEREON ARE PROPRIETARY AND CONFIDENTIAL PROPERTY OF AMERICAN STANDARD AND MUST NOT BE USED EXCEPT IN CONNECTION WITH ITS WORK. ALL RIGHTS IN RESPECT THEREOF ARE HEREBY EXPRESSLY RESERVED. THIS DRAWING IS SUBJECT TO PROMPT RETURN UPON DEMAND BY AMERICAN STANDARD.

REVISION LIST			
REV.	DATE	E.C.N.	APP'D
-	05/18/11	15812	DY

ITEM	-401 QTY	-402 QTY	DESCRIPTION	P/N	SUPPLIER P/N	NOTES
7						
6	1	1	PACKAGING ASSEMBLY	P900465		1
5	1	1	INSTALLATION INSTRUCTIONS	7301743-100		
4	1	1	SPUD ASSEMBLY, 1-1/2"	P030500000		
3	1	1	CONSUMPTION STICKER	7301269-100		
2		1	BOWL, RH EL W/ BPL, HURON 3313	7301750-402		
1	1		BOWL, RH EL, HURON 3312	7301750-401		

COMPONENT LIST



NOTES: UNLESS OTHERWISE SPECIFIED.

- ITEM NOT SHOWN
- BOLT CAP COVERS P030540XXX SHOWN ON PACKAGING ASSEMBLY

P/N		DESCRIPTION	
7301751-402		BOM, BOWL, RH EL W/ BPL, AMERICAN STANDARD HURON 3313	
7301751-401		BOM, BOWL, RH EL, AMERICAN STANDARD HURON 3312	
TOLERANCES UNLESS SPECIFIED (COMMON STOCK SIZES EXCLUDED) DIMENSIONING & TOLERANCING IAW: ASME Y14.5M		DESCRIPTION HURON RH EL SERIES BOWL	
DECIMALS DO NOT SCALE THIS DRAWING. WORK TO SPECIFIED DIMENSIONS ONLY. ALL DIMENSIONS ARE IN INCHES UNLESS OTHERWISE SPECIFIED		REPAIR PART NO.	
2-PLACE: ±		MATERIAL VITREOUS CHINA	
3-PLACE: ±		FINISH	
FRACTIONS: ±		DRAWN BRM CHECKED DY	
ANGLES: ±		APPROVED	
THIRD ANGLE PROJECTION		DATE 05/09/11	
SIZE D		DRAWING NUMBER 7301751-400	
SUPERSEDES		SCALE FULL	
PAGE 1 OF 1		REV. -	

American Standard
BATH & KITCHEN