

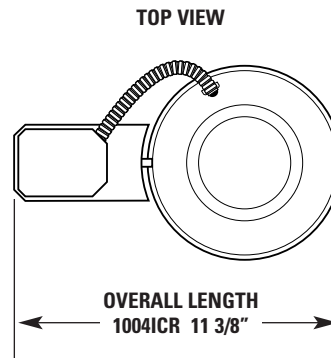
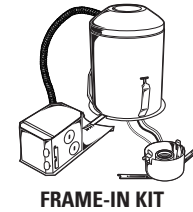
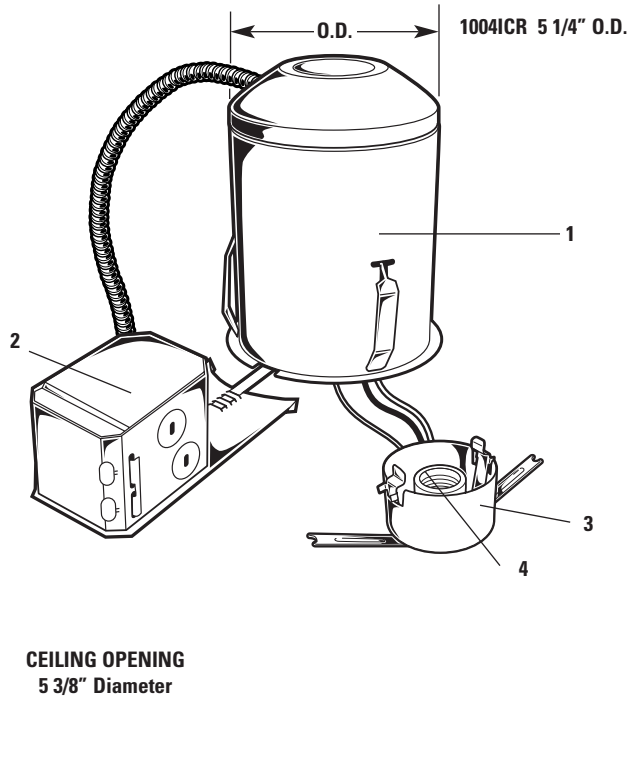
**5" Aperture
Lyte^zning Incandescent Convertible
IC/Non-IC Remodeler Frame-In Kit**

**Lytecaster[®]
Recessed
Downlighting**

1004ICR

C0101

TYPE:



5" APERTURE: Complete Fixture consists of Reflector Trim & Frame-In Kit. Select each separately.

Reflector Trims - See individual Reflector Trim Specification Sheets.

Frame - In Kit	Open Downlight					Eyeball	Enclosed Diffusers	Wall Washer
	Alzak [®] Reflector	Alzak [®] Cone	Satin Cone	Baffles	Basic White			
<input type="checkbox"/> 1004ICR	<input type="checkbox"/> 1045 <input type="checkbox"/> 1046	<input type="checkbox"/> 1012 <input type="checkbox"/> 1013 <input type="checkbox"/> 1013BK <input type="checkbox"/> 1013WH	<input type="checkbox"/> 1008 <input type="checkbox"/> 1010	<input type="checkbox"/> 1005 <input type="checkbox"/> 1005WH <input type="checkbox"/> 1007 <input type="checkbox"/> 107WH <input type="checkbox"/> 1076	<input type="checkbox"/> 1071	<input type="checkbox"/> 1022 <input type="checkbox"/> 1022WH <input type="checkbox"/> 1082	<input type="checkbox"/> 1021* <input type="checkbox"/> 1024*	<input type="checkbox"/> 1085

Features

- Housing:** .032 (#20 ga.) Aluminum. U.L. listed convertible IC/NON-IC. Integral retaining spring secures housing to ceilings up to 2" thick. Removable for access to junction box and ceiling plenum.
- Junction Box:** 2 1/2" X 2 1/2" X 3 1/2" (21 cu. in.) .032 (#22 ga.) galvanized steel. U.L. listed for 90°C supply wire. Integral cable clamps permit attachment of non-metallic (#12 or #14 ga.) Romex[®] cable without tools or additional connectors.
- Socket Housing:** Impact extruded aluminum or galvanized steel. Attached trim retaining spring secures trim to any height on housing wall.

- Socket:** Porcelain medium base: nickel plated screw shell. Pre-wired with #18 ga. SF1 (300 VOLT 200°C) leads to junction box.
- Thermal protector:** Meets NEC and U.L. requirements.

Options & Accessories

AirSeal[®] Kit: AS301

Labels

U.L.(Type IC/NON-IC Convertible; Suitable for Damp Locations); U.S. + Foreign Patents Pending.

WE RESERVE THE RIGHT TO CHANGE DETAILS OF DESIGN, MATERIALS, AND FINISH.
Alzak[®] is a registered trademark of The Aluminum Company of America.
Romex[®] is a registered Trademark of General Cable Industries Inc.

LIGHTOLIER a GENLYTE THOMAS company.
631 Airport Road, MA 02720
(508) 679-8131 • Fax (508) 674-4710

Copyright 2001

LIGHTOLIER[®]