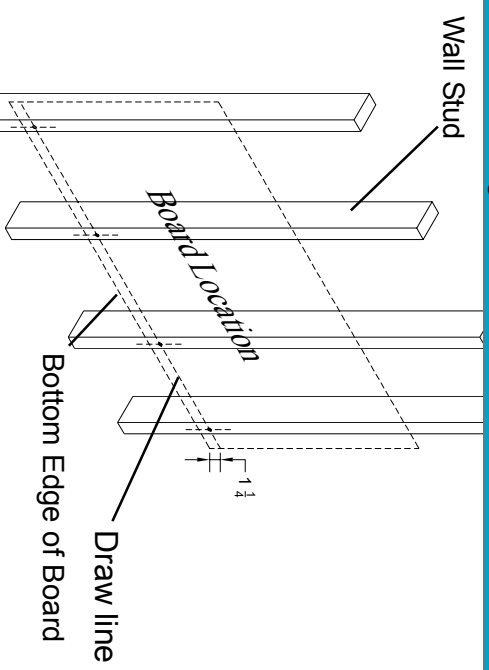
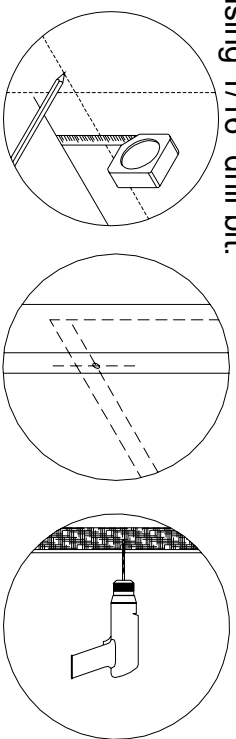


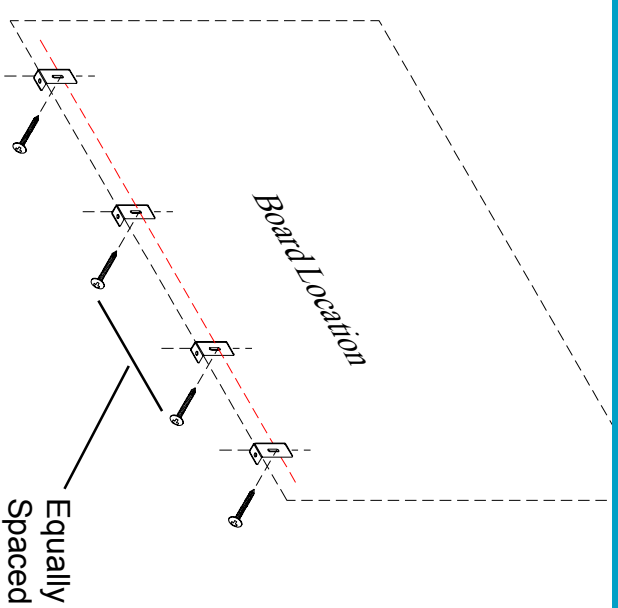
**1** Locate and Drill holes for bottom Angle Brackets.



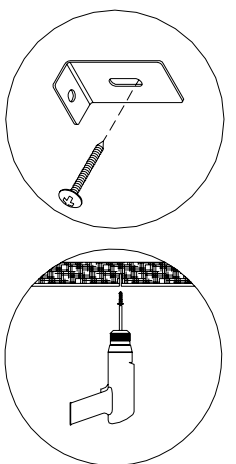
Determine board location. Measure from floor to the bottom edge of board. Mark with pencil line the corner location. Measure up from bottom edge of board 1-1/4", and draw line as shown. Locate stud near each end of board and drill pilot holes along line using 1/16" drill bit.



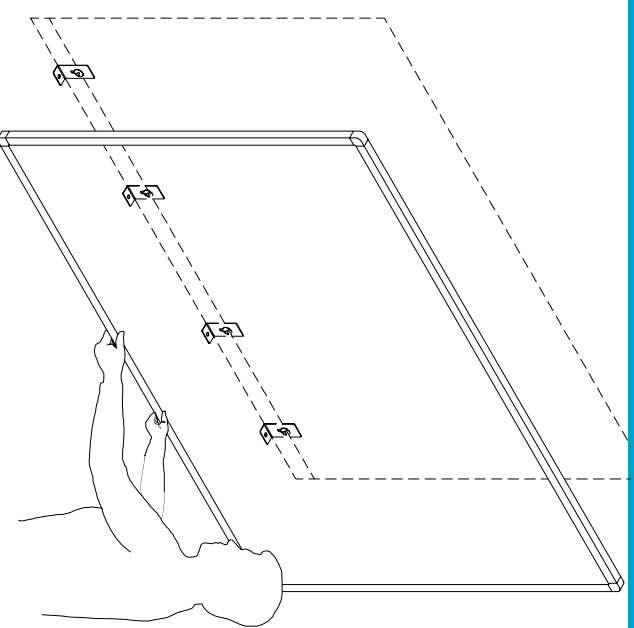
**2** Attach bottom Angle Brackets.



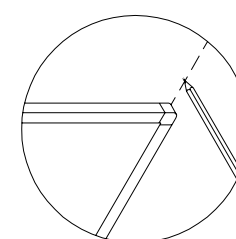
Attach 1/2 the # of Angle Brackets using Long Screws (B) as shown.



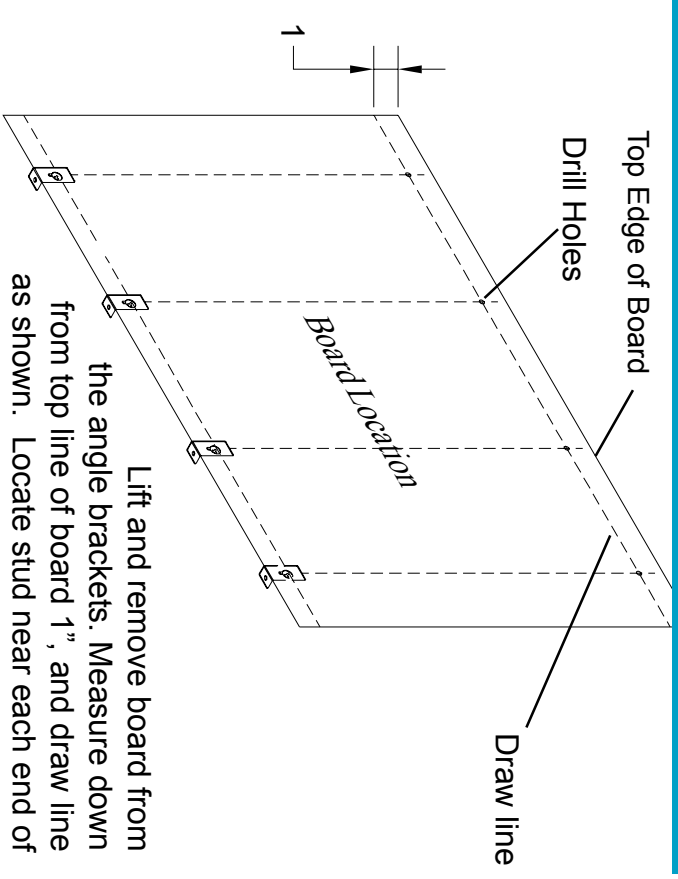
**3** Hang board and mark top.



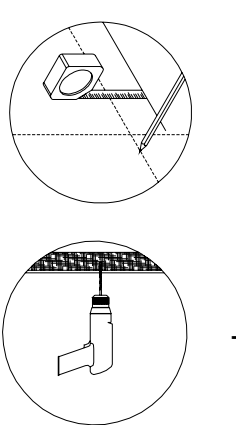
Set board on the Angle Brackets. Draw line along top edge of board.



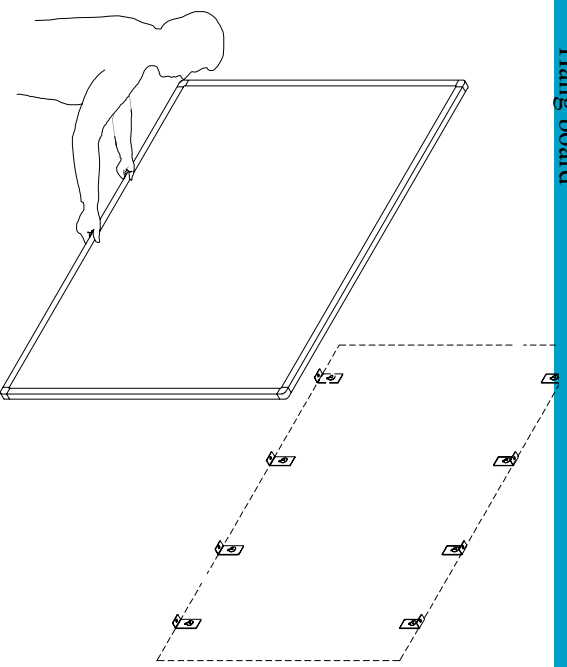
**4** Remove board and drill



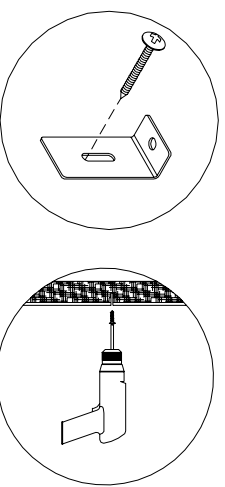
Lift and remove board from the angle brackets. Measure down from top line of board 1", and draw line as shown. Locate stud near each end of board and drill pilot hole along line using 1/16" drill bit.



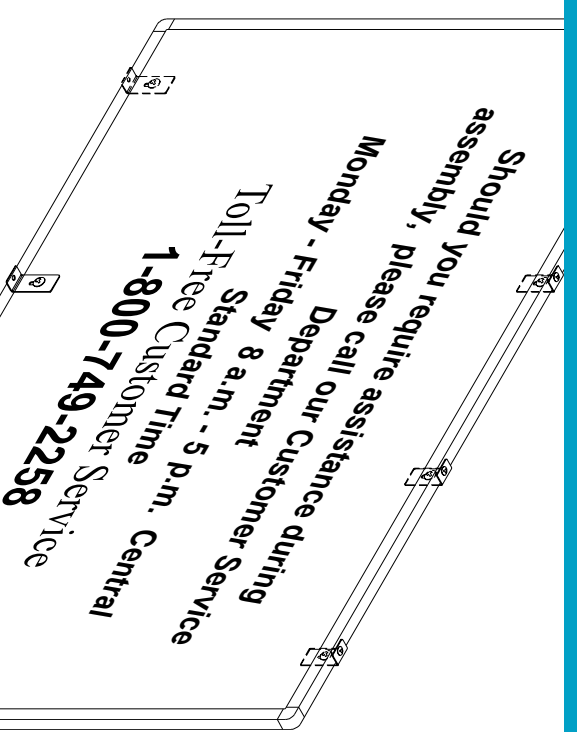
**5** Attach top Angle Brackets and Hang board



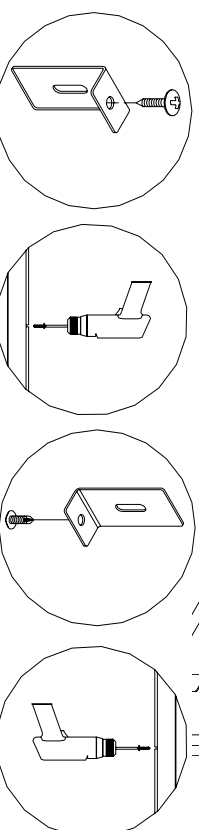
Secure top Angle Brackets (A) to the wall using long screws (B) as shown. Set board on the bottom angle brackets.



**6** Secure Board



Secure board to bottom and top brackets (A) using short screws (C) as shown.



<b>Parts List</b>
P1
Board
1 EA

<b>Hardware List</b>	
A	Angle Bracket
B	Long Screw
C	Short Screw
D	Plastic Screw Anchor

BRT-wallboard 10/10/05

**Markerboard/Tackboard**

