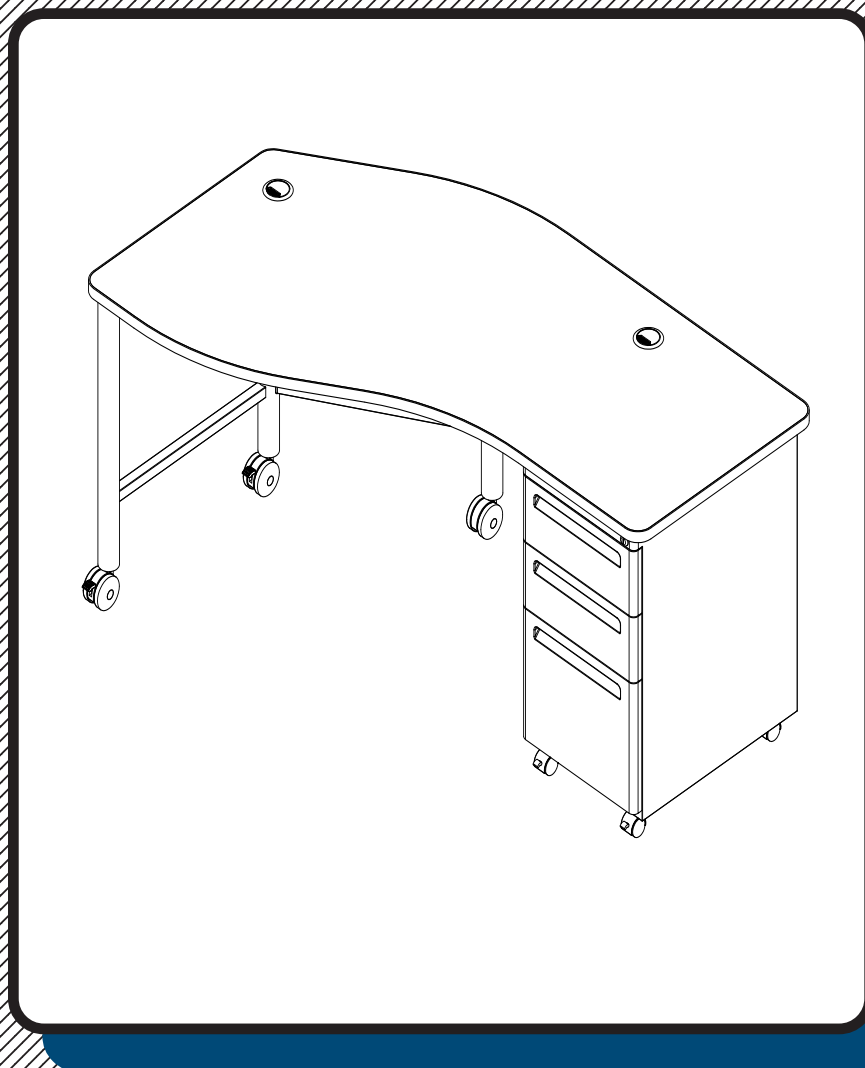
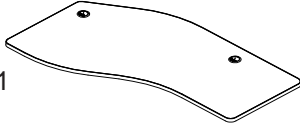
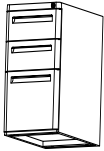

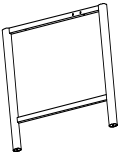

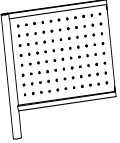

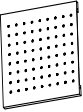

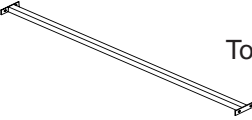
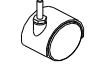


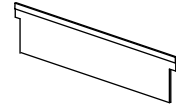
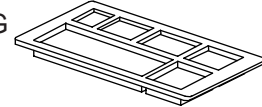






# Instructor Teacher's Desk II



## Assembly Instructions

# Instructor Teacher's Desk II

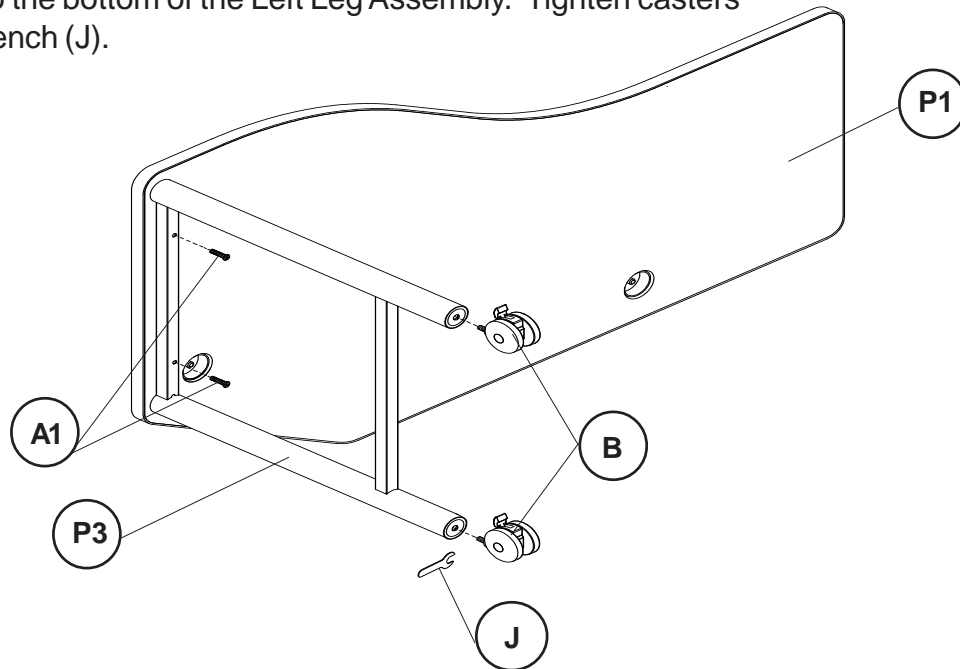
Part	Drawing	Description	Qty	Part	Drawing	Description	Qty
P1		Table Top	1 EA	<b>Hardware List</b>			
P2		File Cabinet	1 EA	A1		Screw M6X38mm	4 EA
P3		Left Leg Assembly	1 EA	A2		Screw M6X20mm	5 EA
P4		Right Leg Assembly	1 EA	A3		Short Screw 1/4X12mm	10 EA
P5		Center Panel Assembly	1 EA	B		3" Locking Caster	2 EA
P6		Top Support Bar	1 EA	C		3" Non-Locking Caster	1 EA
				D		Locking Caster-File	2 EA
				E		Non-Locking Caster-File	2 EA
				F		Divider Panel	1 EA
				G		Pencil Tray	1 EA
				H		Keys	2 EA
				I		Allen Wrench	1 EA
				J		Caster Wrench	1 EA
				K		Caster Screw-File	4 EA

# Assembly Diagram

**READ THROUGH INSTRUCTIONS FROM BEGINNING TO END BEFORE STARTING TO ASSEMBLE UNIT.**

- 1.) Identify and Separate all the Parts and Hardware.
- 2.) Attach the Left Leg Assembly (P3) to the bottom of the Top Panel (P1) using two Screws (A1) as shown in Illustration #1. Screw in two Locking Casters (B) into the bottom of the Left Leg Assembly. Tighten casters with Caster Wrench (J).

Illustration # 1



- 3.) Attach the Center Panel (P5) to the rear leg of the Left Leg Assembly (P3) using two Small Screws (A3) as shown in Illustration #2.

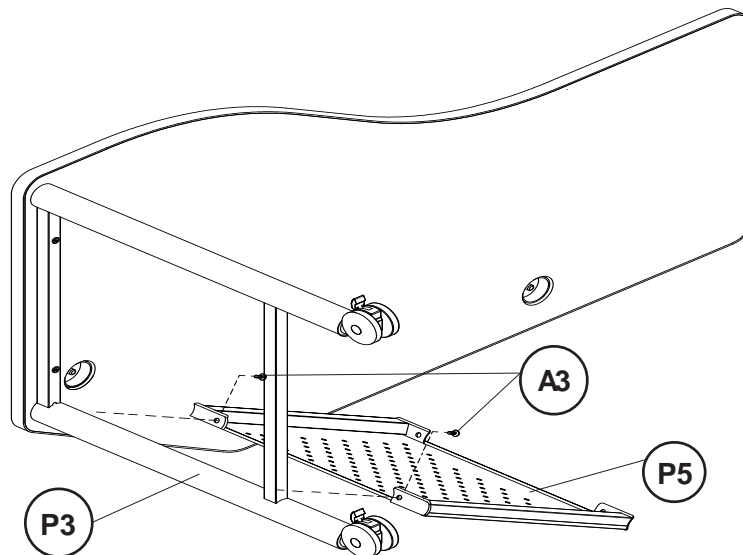


Illustration # 2

- 4.) Attach the Right Leg Assembly (P4) to the Table Top (P1) using two Screws (A1). Attach the Right Leg Assembly (P4) to the Center Panel Assembly (P5) using two Short Screws (A3) as shown in Illustration #3. Screw in a Non-Locking Caster (C) into the bottom of the Right Leg assembly and tighten with Caster Wrench (J).

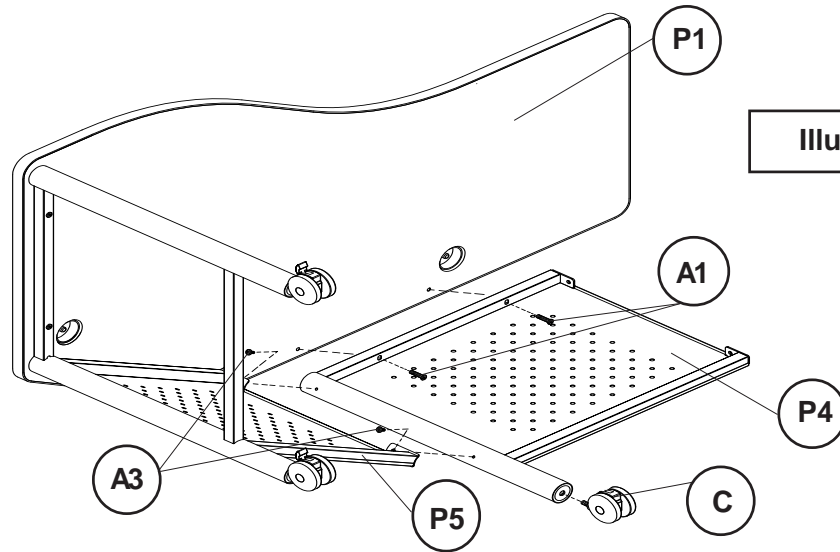


Illustration # 3

- 5.) Position the File Cabinet (P2) over the mounting holes in the bottom of Table Top (P1). Remove the File Cabinet's drawers and attach the File Cabinet (P2) to the Table Top (P1) using five Small Screws (A2) as shown in Illustration #4. Attach File Cabinet (P2) to Right Leg Assembly (P4) using two Short Screws (A3). Replace the drawers.

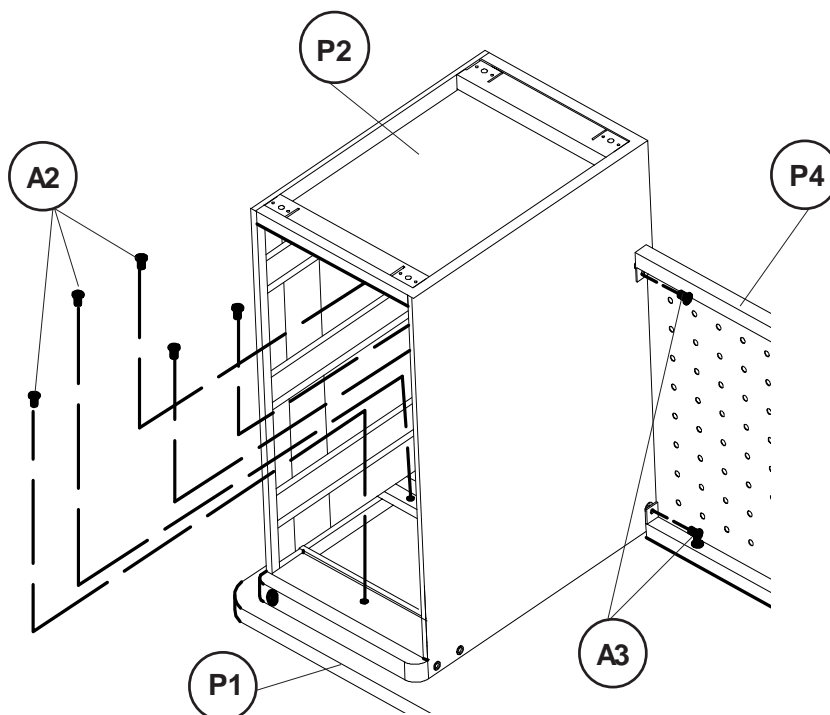


Illustration # 4

6.) Attach Top Support Bar (P6) to the File Cabinet (P2) using two Short Screws (A3) and to the Left Leg Assembly (P3) using two Short Screws (A3) as shown in Illustration #5.

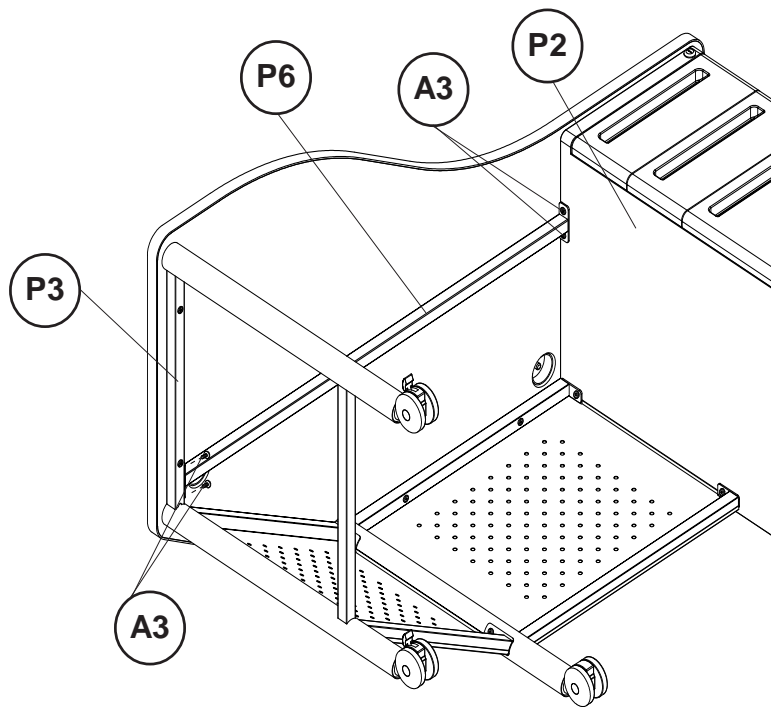


Illustration # 5

8.) Attach two Locking Casters-File(D) to the front and two Non-Locking Casters -File(E) on the bottom of the File Cabinet (P2) using one Caster Screw-File(K) to secure in place. Make sure the Casters are attached as shown in Illustration #6.

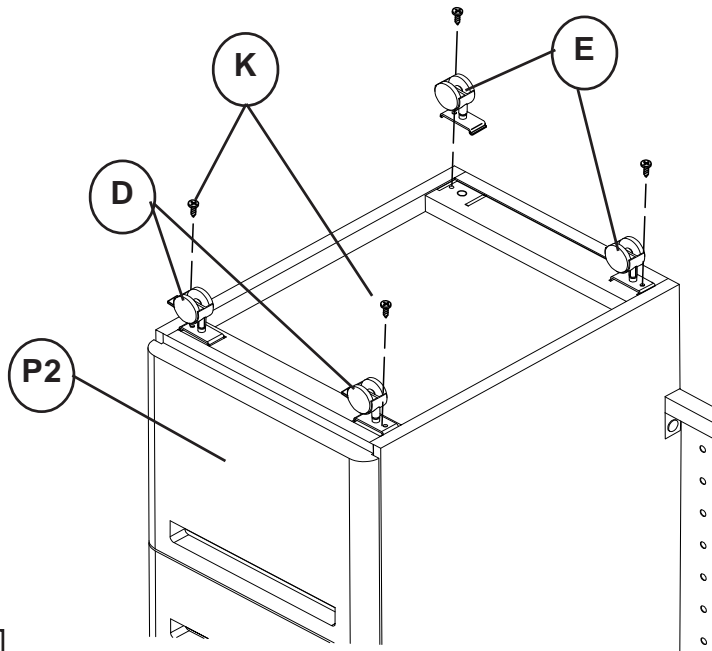


Illustration #6

- 8.) Attach two Locking Casters-File(D) to the front and two Non-Locking Casters -File(E) on the bottom of the File Cabinet (P2) using one Caster Screw-File(K) to secure in place. Make sure the Casters are attached as shown in Illustration #7.

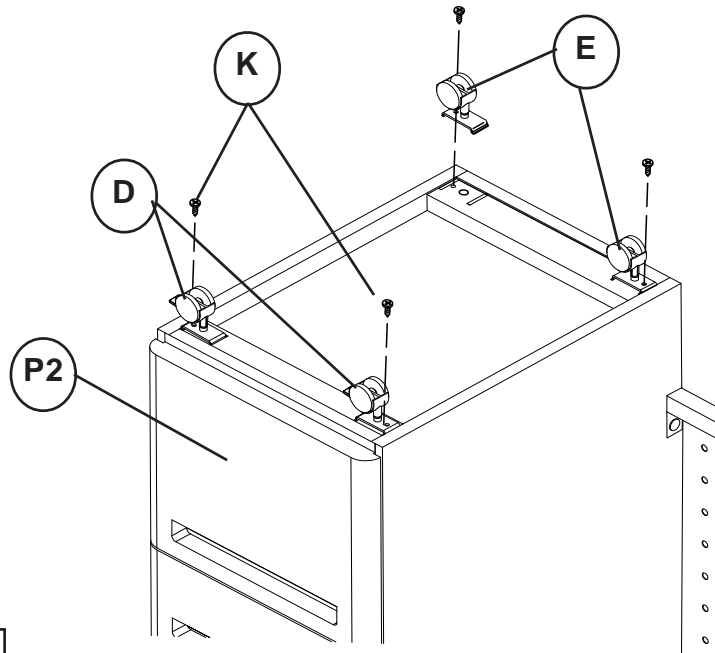


Illustration #7

- 9.) Turn the Desk upright. Place drawer Divider Panel (F) and Pencil Tray (G) in the top File Cabinet (P2) drawer. See illustration #8.

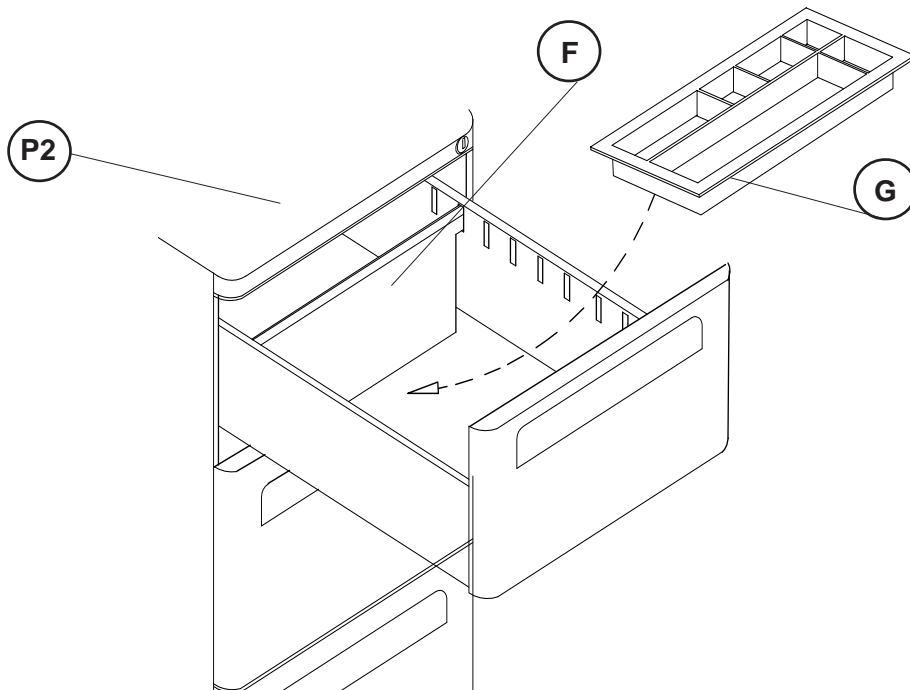


Illustration # 8

# Instructors Teacher's Desk II

