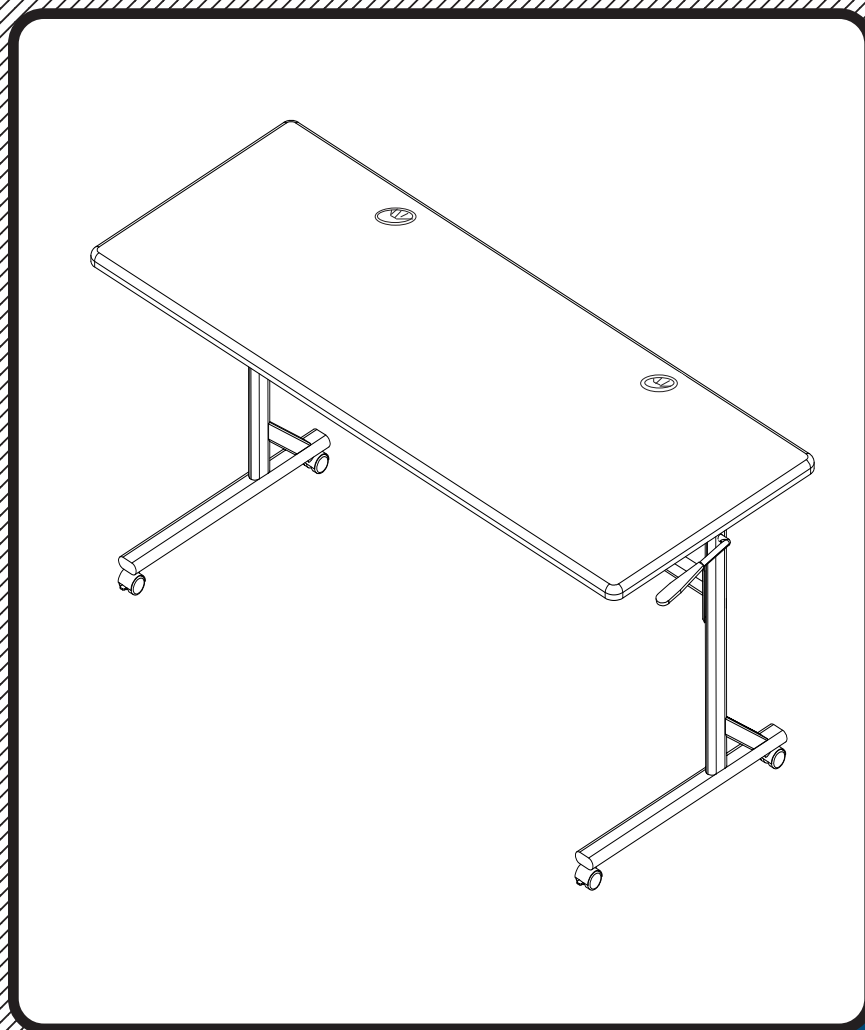


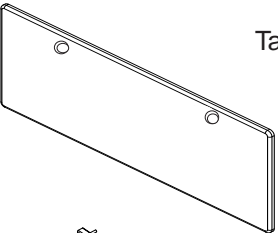
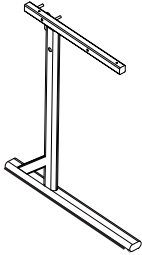
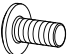
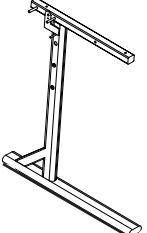
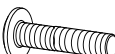
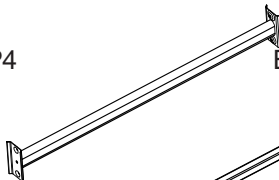
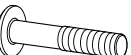
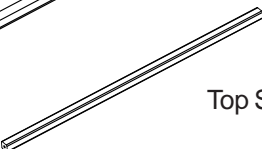
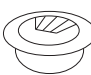
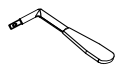

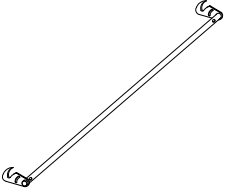





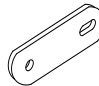

Economy Flipper

Rectangle



Assembly Instructions

Economy Flipper - Rectangle

Part	Drawing	Description	Qty	Part	Drawing	Description	Qty
P1		Table Top	1 EA	Hardware List			
P2		Left Leg	1 EA	A		M6*12mm Socket Screw	9 EA
P3		Right Leg	1 EA	B		M6*45mm Socket Screw	5 EA
P4		Bottom Support	1 EA	B1		M6*57mm Socket Screw	2 EA
P5		Top Support	1 EA	C		Plastic Grommet	2 EA
P6		Handle	2 EA	D		2" Locking Caster	2 EA
P7		Lock Rod	1 EA	D1		2" Caster	2 EA
				E		Allen Wrench	1 EA
				F		Caster Wrench	1 EA
				G		Spring Washer	4 EA
				H		Wood Screws	4 EA
				I		Connecting Bracket	2 EA
				J		Spring	2 EA

Assembly Diagram

READ THROUGH INSTRUCTIONS FROM BEGINNING TO END BEFORE STARTING TO ASSEMBLE UNIT.

- 1.) Identify and Separate all the Parts and Hardware.
- 2.) Attach the Right Leg (P3) and the Left Leg (P2) to the Bottom Support (P4) using two Screws (A) for each leg as shown in Illustration #1. Tighten Screws (A) using Allen Wrench (E). Insert Top Support (P5) between the Right Leg (P3) and Left Leg (P2) top tube and attach using one Socket Screw (B1) through each leg. Place a Spring Washer (G) on each caster stem and screw in two Locking Casters (D) and two Casters (D1) into the threaded holes in the bottom of the legs as shown. Tighten with Caster Wrench (F).

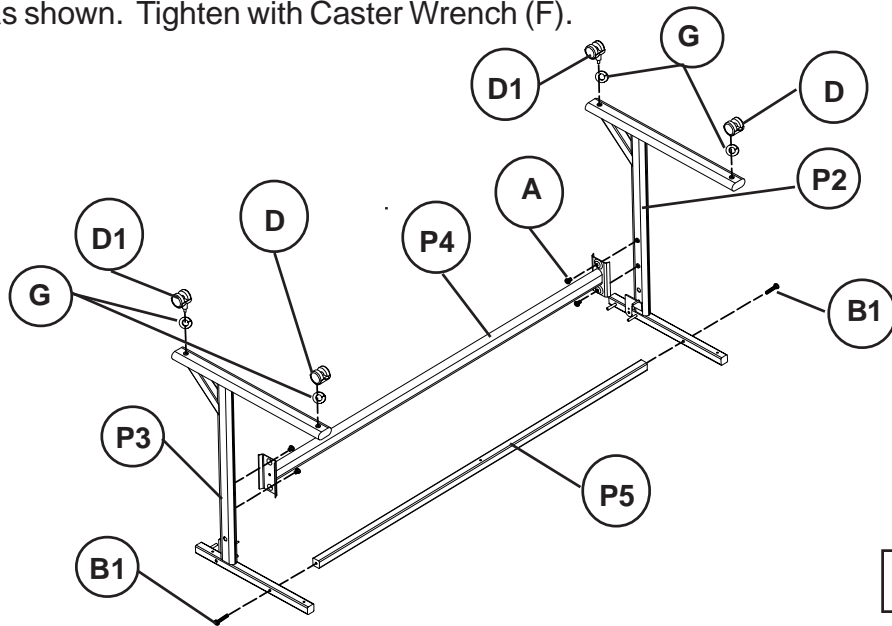
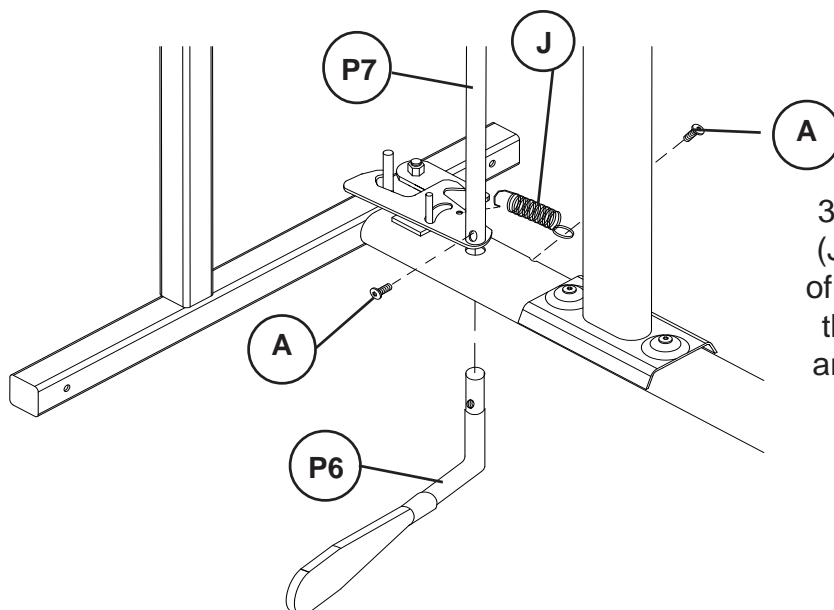


Illustration # 1

- 3.) Insert a Handle (P6) through the large hole at the top of each leg. Place the Lock Rod (P7) between the legs. Insert the handle into the end of the Lock Rod (P7), align holes and secure by using one Screw (A) in each Handle (P6) as shown in Illustration #2.

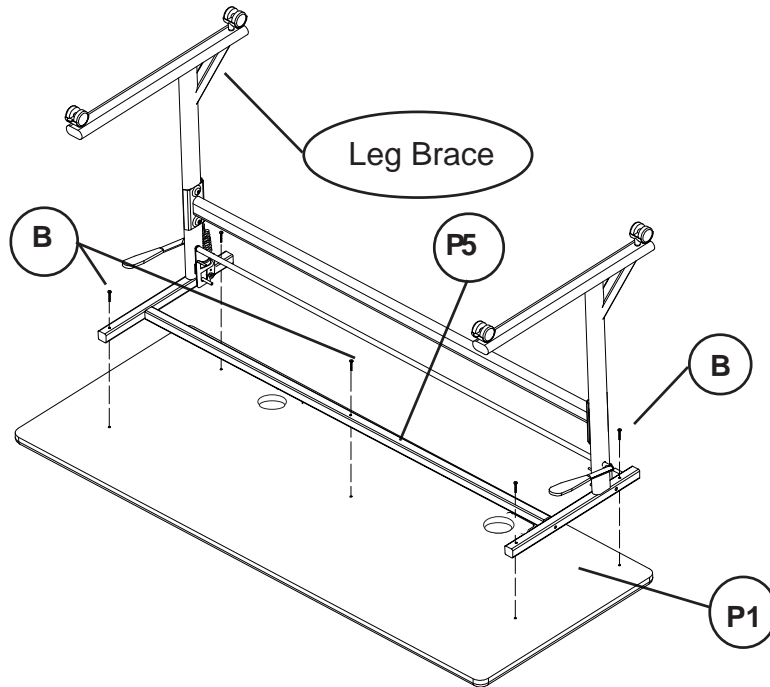


- 3a.) Hook the open end of the Spring (J) into the small hole in the Hook part of the Lock Rod (P7). Use a Screw (A) through the loop end of the Spring (J) and into the tapped hole in the back of the Legs.

Illustration # 2

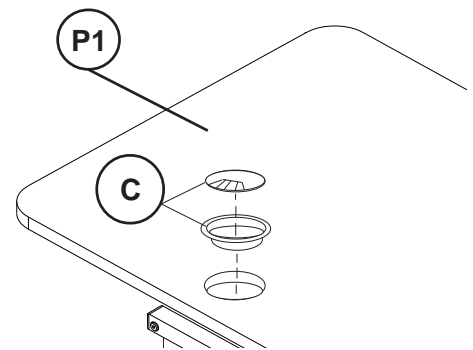
- 4.) Place Table Top (P1) upside down on a padded surface. Place the assembly from Step 3 over the embedded threaded inserts in the Top Panel (P1) making sure the Leg's braces are to the rear as shown in Illustration #3. Attach the frame assembly to the Top Panel (P1) using two Screws (B) through each Leg's top tube and one Screw (B) through the Top Support (P5).

Illustration #3



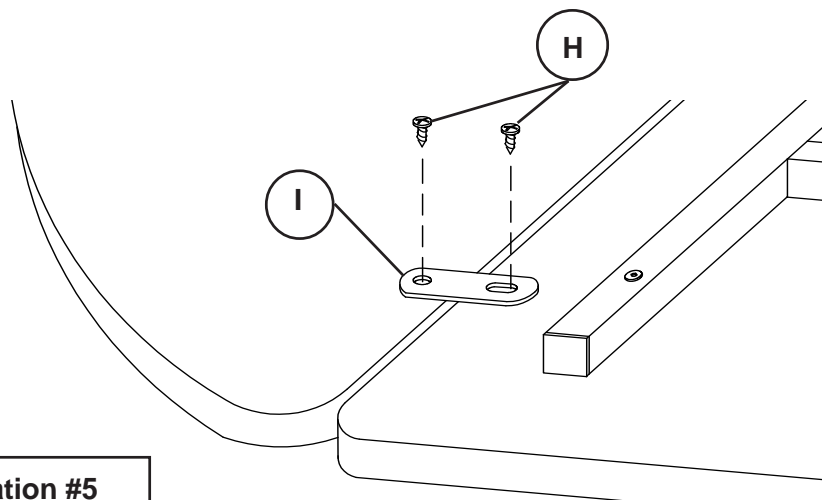
- 5.) To install Grommet (C), separate parts and press Grommet Sleeve into each round opening in Top Platform (P1) as shown in Illustration #4.
- 6.) Snap the plastic Cap into the top of each Sleeve as shown in Illustration #4.

Illustration #4



- 7.) Use two Connecting Brackets (I) and four Wood Screws (H) to secure two tables together as shown in Illustration #5.

Illustration #5



Economy Flipper

Rectangle

