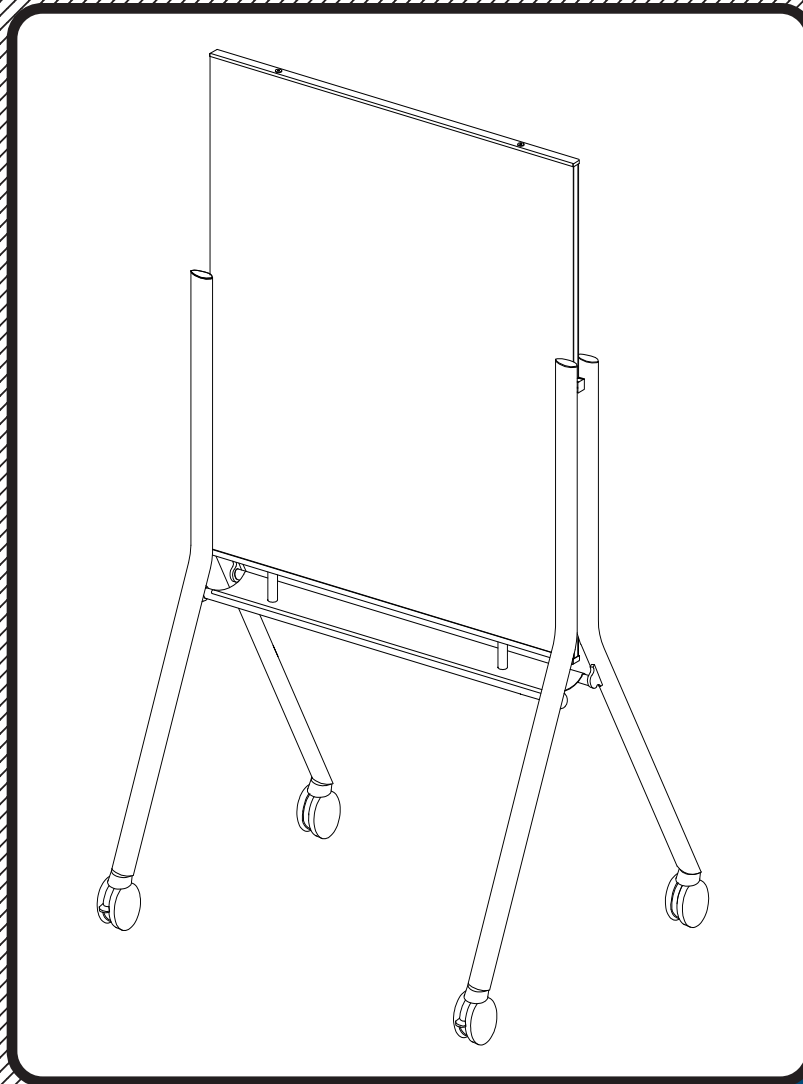


Visionary Curve Easel



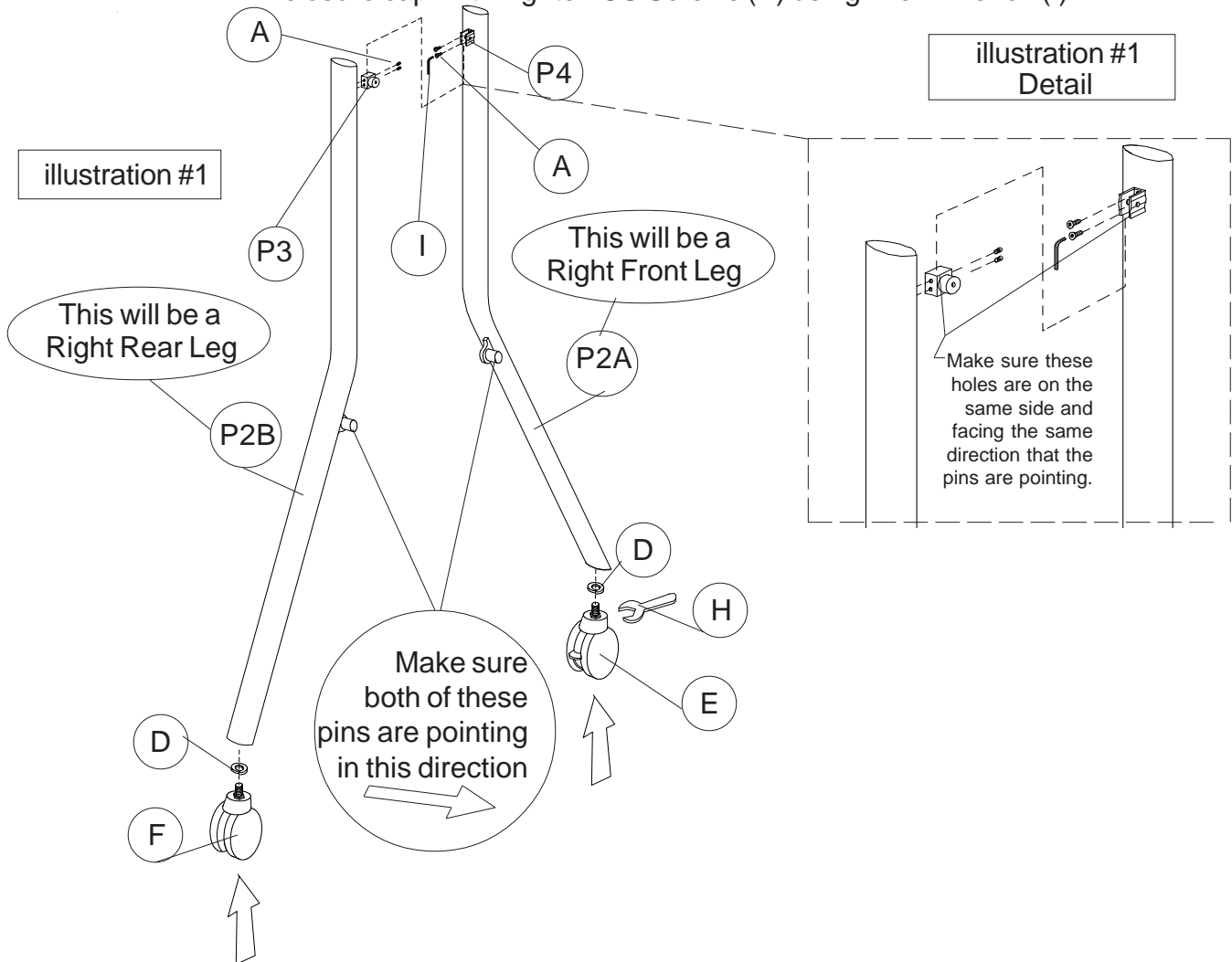
Assembly Instructions

Visionary Curve Easel

Part	Drawing	Description	Qty	Part	Drawing	Description	Qty																																								
P-1		Glass Board	2 EA	<div style="border: 1px solid black; padding: 10px;"> <p style="text-align: center; border: 1px solid black; display: inline-block; margin-bottom: 10px;">Hardware List</p> <table border="0"> <tr> <td>A</td> <td></td> <td>CS Screw M6*10mm</td> <td>8 EA</td> </tr> <tr> <td>B</td> <td></td> <td>Screw M6*15mm</td> <td>8 EA</td> </tr> <tr> <td>C</td> <td></td> <td>Screw M8*65mm</td> <td>2 EA</td> </tr> <tr> <td>D</td> <td></td> <td>Lock Wasker</td> <td>4 EA</td> </tr> <tr> <td>E</td> <td></td> <td>Locking Caster</td> <td>2 EA</td> </tr> <tr> <td>F</td> <td></td> <td>Caster</td> <td>2 EA</td> </tr> <tr> <td>G</td> <td></td> <td>All-Thread M6*38mm</td> <td>2 EA</td> </tr> <tr> <td>H</td> <td></td> <td>Caster Wrench</td> <td>1 EA</td> </tr> <tr> <td>I</td> <td></td> <td>Allen Wrench-4mm</td> <td>1 EA</td> </tr> <tr> <td>J</td> <td></td> <td>Allen Wrench-5mm</td> <td>1 EA</td> </tr> </table> </div>				A		CS Screw M6*10mm	8 EA	B		Screw M6*15mm	8 EA	C		Screw M8*65mm	2 EA	D		Lock Wasker	4 EA	E		Locking Caster	2 EA	F		Caster	2 EA	G		All-Thread M6*38mm	2 EA	H		Caster Wrench	1 EA	I		Allen Wrench-4mm	1 EA	J		Allen Wrench-5mm	1 EA
A		CS Screw M6*10mm	8 EA																																												
B		Screw M6*15mm	8 EA																																												
C		Screw M8*65mm	2 EA																																												
D		Lock Wasker	4 EA																																												
E		Locking Caster	2 EA																																												
F		Caster	2 EA																																												
G		All-Thread M6*38mm	2 EA																																												
H		Caster Wrench	1 EA																																												
I		Allen Wrench-4mm	1 EA																																												
J		Allen Wrench-5mm	1 EA																																												
P-2A		Leg	2 EA																																												
P-2B		Leg	2 EA																																												
P-3		Leg Connector-Outer	2 EA																																												
P-4		Leg Connector-Inner	2 EA																																												
P-5		Cap Channel	2 EA																																												
P-6		Tray	1 EA																																												
P-7		Tray Hanger	2 EA																																												
P-8		C-Frame	2 EA																																												
P-9		C-Frame Insert Tube	2 EA																																												
P-10		Threaded Block	2 EA																																												

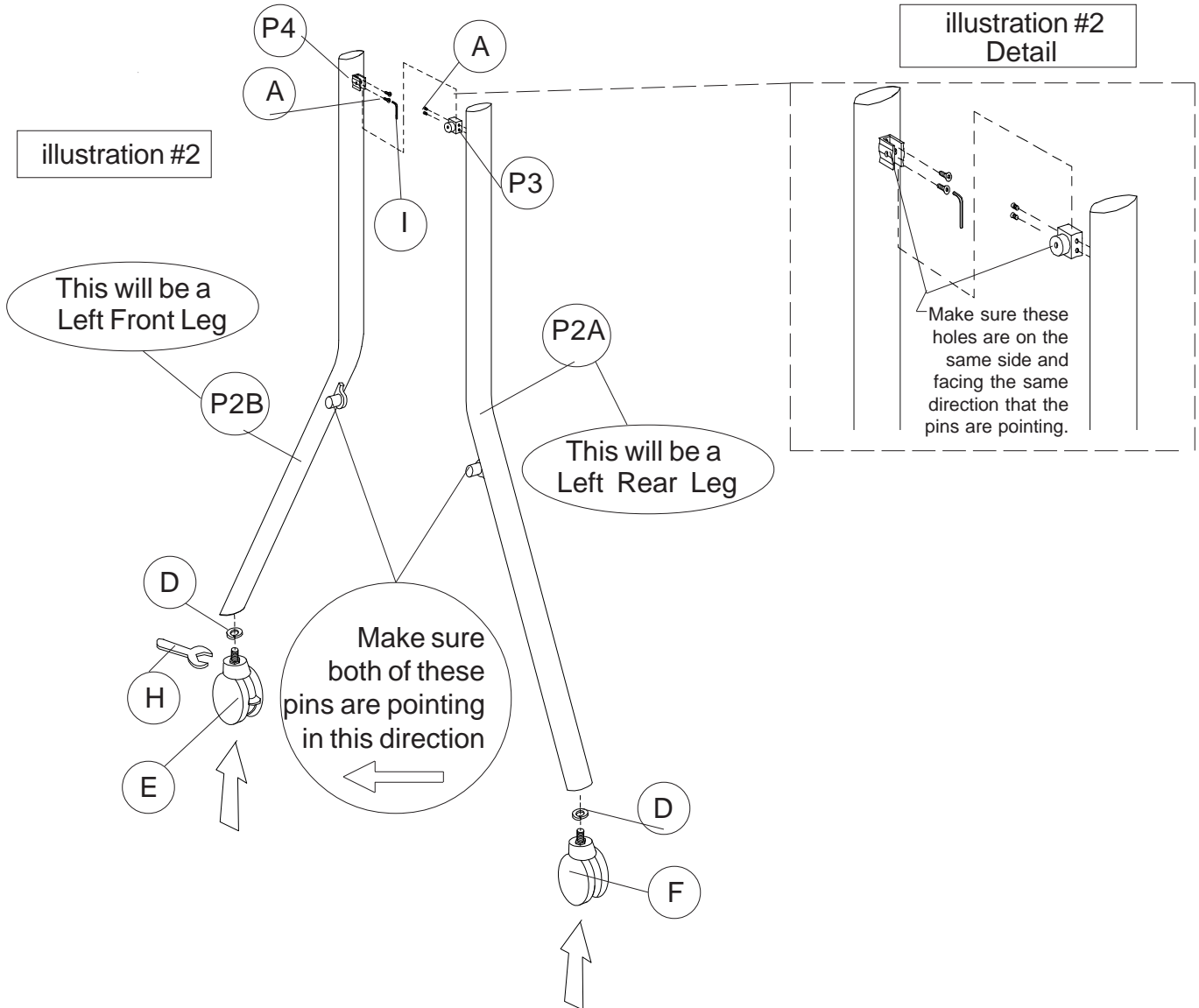
Assembly Instructions

1. Read instructions thoroughly before starting the assembly process.
2. Layout and identify the parts and hardware.
3. Attach a Leg Connector-Inner (P4) to the top Leg (P2A) using two CS Screws (A) as shown in illustration #1. The top of the leg has a plastic tube closure cap in it. Tighten CS Screws (A) using Allen Wrench (I).



4. Place a Lock Washer (D) on the threaded stem of a Locking Caster (E) and screw it into the bottom of Leg (P2A). Use Caster Wrench (H) to tighten caster.
5. Attach a Leg Connector-Outer (P3) to Leg (P2B) using two CS Screws (A) to secure each. Make sure the threaded hole in the side of the Leg Connector-Outer is positioned as shown in illustration #1. Tighten screws with Allen Wrench (I).
6. Place A Lock Washer (D) on the threaded stem of Caster (F) and screw it into the bottom of Leg (P2A). Tighten with Caster Wrench (H).
7. Slide the Leg Connector-Inner that is on the Rear Leg up and into the Leg Connector-Outer that is attached to the Front Leg.

8. Attach a Leg Connector-Outer (P3) to the top Leg (P2A) using two CS Screws (A) as shown in illustration #2. The top of the leg has a plastic tube closure cap in it. Tighten CS Screws (A) using Allen Wrench (I).



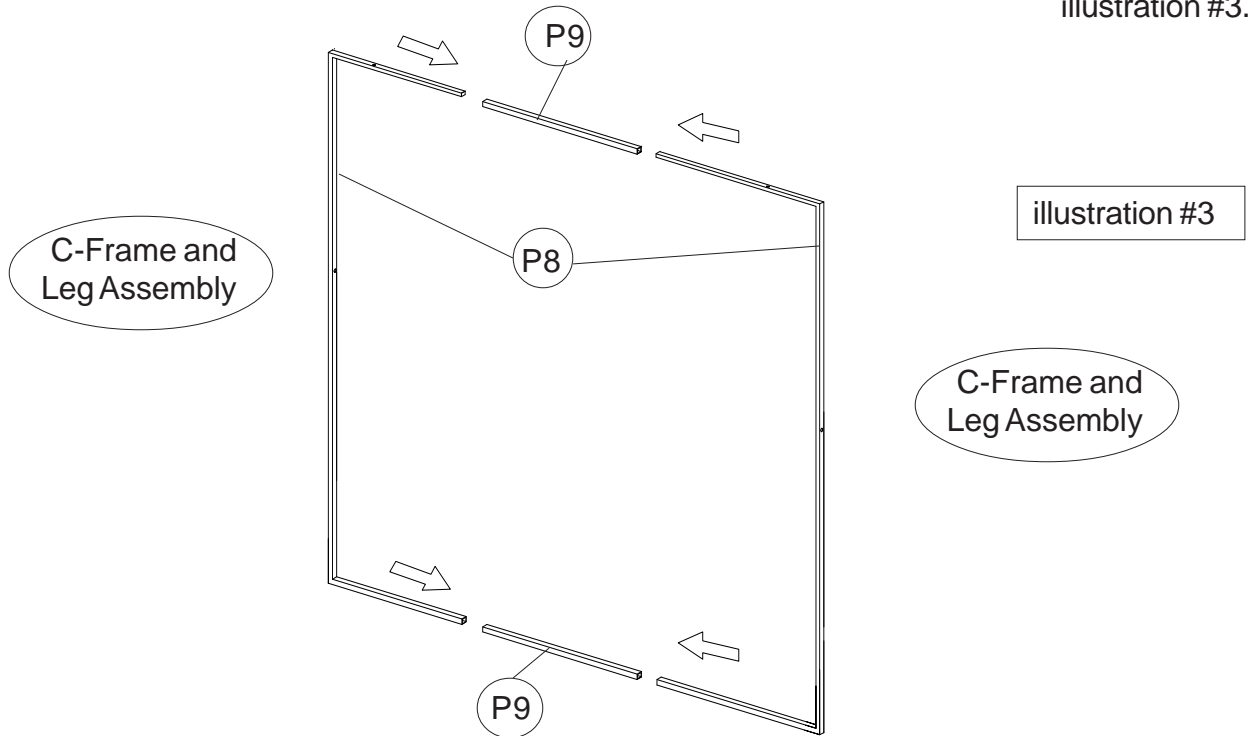
9. Place a Lock Washer (D) on the threaded stem of a Locking Caster (F) and screw it into the bottom of the Leg (P2A). Use Caster Wrench (H) to tighten caster.

10. Attach a Leg Connector-Inner (P4) to a Leg (P2B) using two CS Screws (A) to secure. Make sure the threaded hole in the side of the Leg Connector-Inner is positioned as shown in illustration #2. Tighten screws with Allen Wrench.

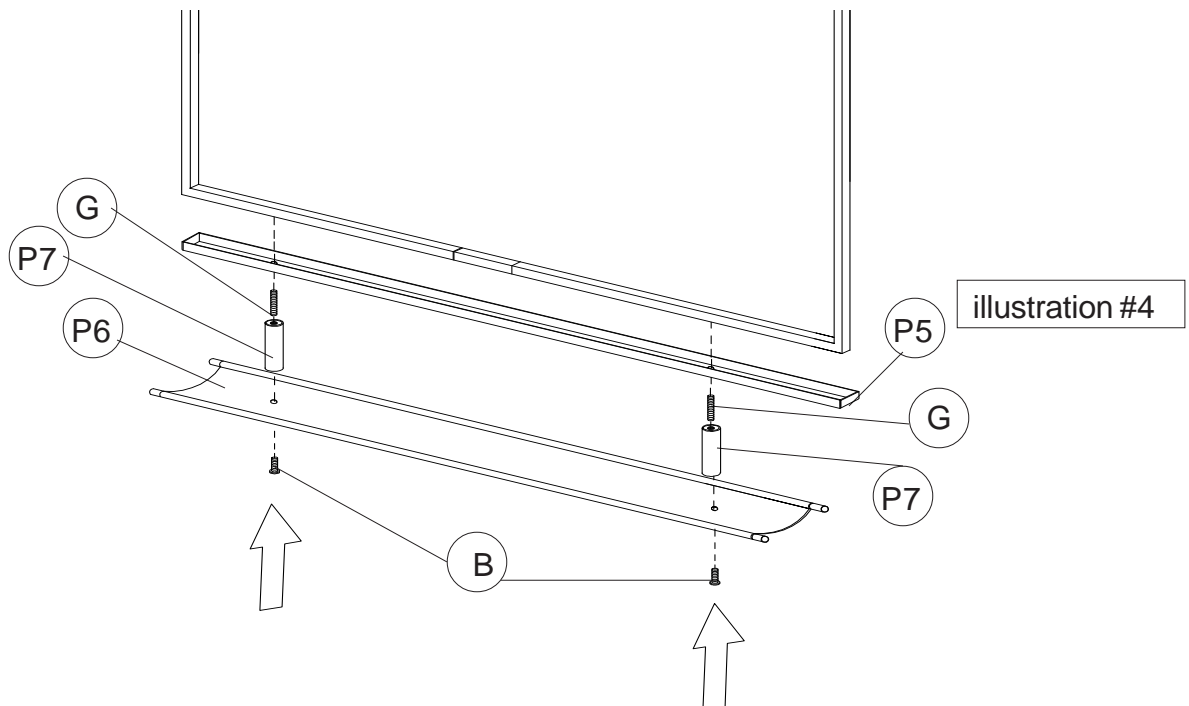
11. Place A Lock Washer (D) on the threaded stem of Locking Caster (E) and screw it into the bottom of the second Leg (P2B). Tighten with Caster Wrench (H).

12. Slide the Leg Connector-Inner that is on the Front Leg up and into the Leg Connector Outer that is attached to the Rear Leg.

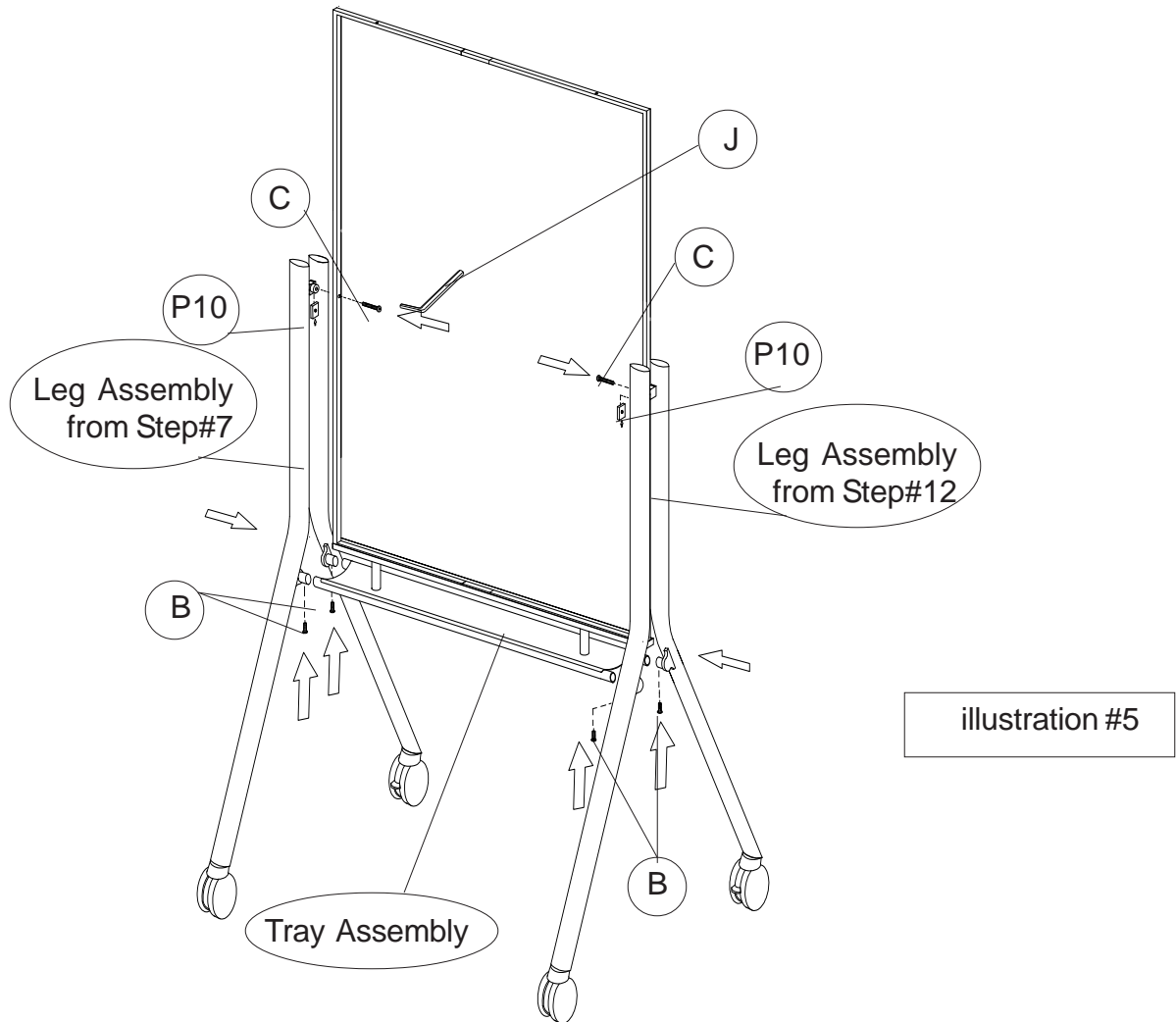
13. Insert a C-Frame Insert (P9) tube into one side of a C-Frame (P8). Line up the the opposite C-Frame and push the two assemblies together as shown in illustration #3.



14. Screw in an All-Thread Rod (G) into each threaded hole in the bottom of the C-Frames (P8). Place a Cap Channel (P5) on the All-Thread rods as shown in illustration #4. Screw a Tray Hanger (P7) onto each All-Tread to secure the Cap Channel in place. Place the Tray (P6) on the bottom of the Tray Hangers and attach using two Screws (B).

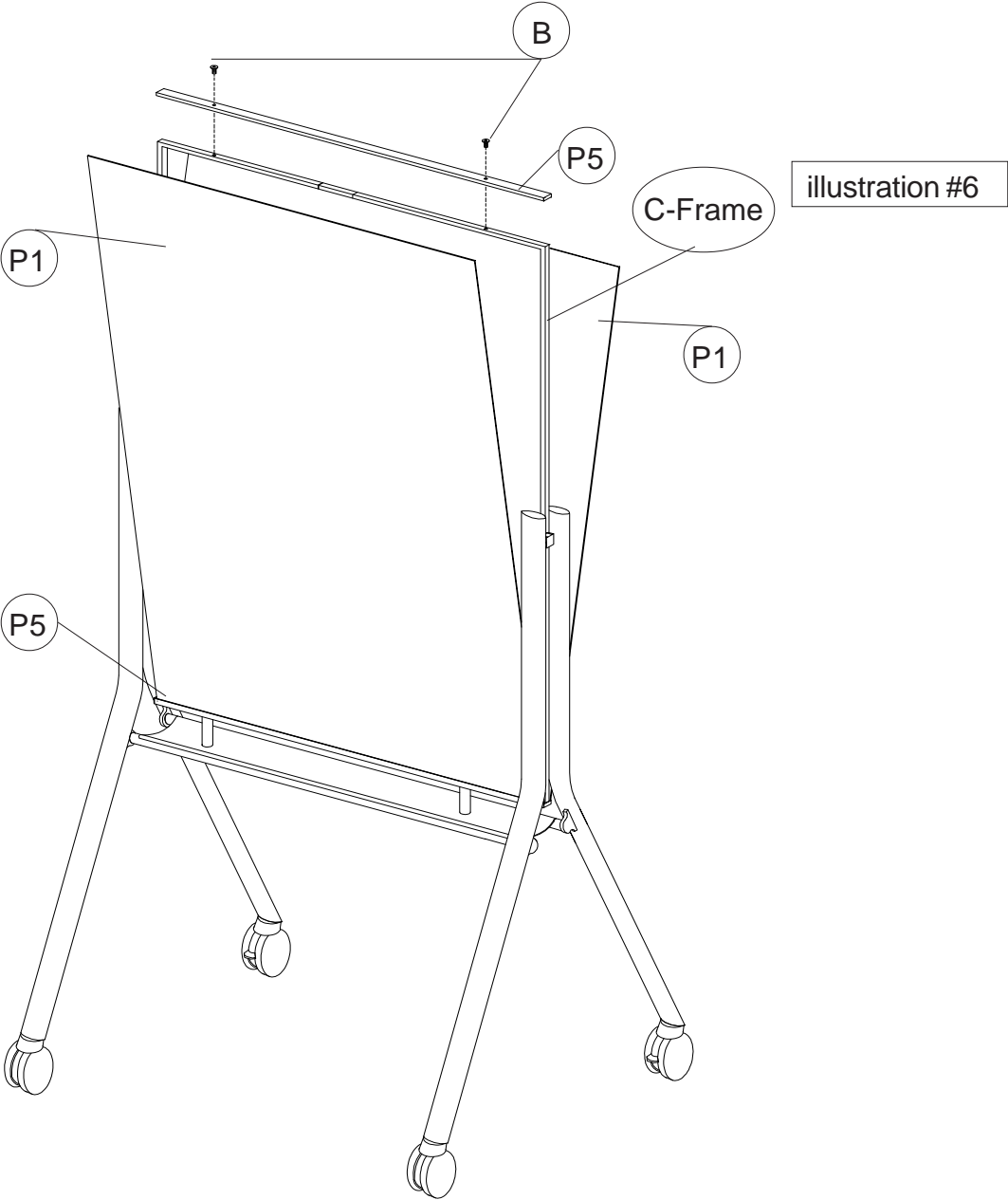


15. Slide the Tray assembly from Step #14 onto the pins from the Leg assembly from Step #7 and secure with two Screws (B). Slide the other end of the Tray assembly onto the pins from the Leg assembly from Step #12 and secure with two Screws (B). See illustration #5.



16. Insert a Threaded Block (P10) up and into the bottom of each Leg Connector on the Leg assemblies while attaching the C-Frame assembly using two Screws (C) as shown in illustration #5. Use Allen Wrench (J) to tighten Screws (C).

17. Place a Glass Board (P1) on each side of the C-Frame and down into the bottom Cap Channel (P5). Hold both Glass Panels against the C-Frame and place a Cap Channel (P5) over the top and secure in place with two Screws (B) as shown in illustration #6.



Visionary Curve Easel

